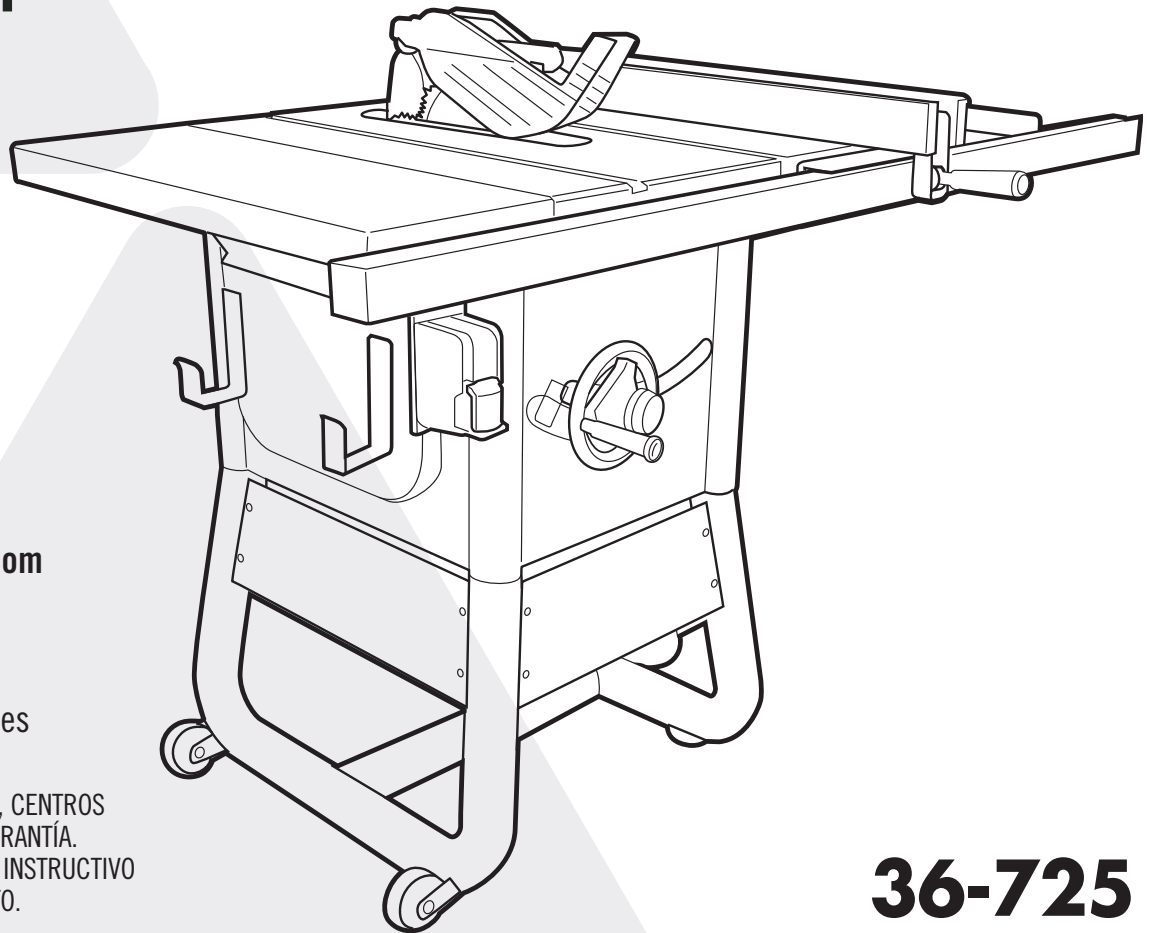




POWER EQUIPMENT CORPORATION

10-INCH CONTRACTOR TABLE SAW

Scie de table de 10 pouces
(254 mm) pour entrepreneurs
Sierra de mesa de 10 pulgadas
(254 mm) para contratista



Français (32)
Español (63)

www.DeltaMachinery.com

Instruction Manual
Manuel d'utilisation
Manual de instrucciones

INSTRUCTIVO DE OPERACIÓN, CENTROS
DE SERVICIO Y PÓLIZA DE GARANTÍA.

⚠ ADVERTENCIA: LÉASE ESTE INSTRUCTIVO
ANTES DE USAR EL PRODUCTO.

36-725

⚠ WARNING: To reduce risk of serious injury, thoroughly read and comply with all warnings and instructions in this manual and on product.

KEEP THIS MANUAL NEAR YOUR SAW FOR EASY REFERENCE AND TO INSTRUCT OTHERS



TABLE OF CONTENTS

IMPORTANT SAFETY INSTRUCTIONS	3	OPERATION	20
Safety Logos	3	Starting and Stopping the Saw.....	20
GENERAL POWER TOOL SAFETY RULES	3	Overload Protection	21
TABLE SAW SAFETY RULES	5	Making Cuts	21
POWER CONNECTIONS	7	Rip Cuts	22
Power Source.....	7	Bevel Rip Cuts.....	22
Grounding Instructions	7	Cross-Cuts	23
Extension Cords.....	8	Bevel Cross-Cuts	23
UNPACKING	9	Miter Cuts.....	23
Components and Parts List.....	9	Compound Miter Cuts.....	24
Hardware Package.....	10	Large Panel Cuts	24
ASSEMBLY	10	Non-Through Cuts	24
Stand	10	Non-through Cuts.....	24
Fixed Wheels and Stationary Feet.....	11	Dado Cuts	25
Extension Wings	11	Using Cutting Aids	25
Front and Rear Rails	12	Push Sticks.....	25
Fence Guide and Power Control Box.....	12	Push Blocks.....	26
Throat Plate	13	Auxiliary Rip Fence Facing.....	26
Blade and Riving Knife	13	Auxiliary Miter Gage Facing	26
Anti-kickback Pawls.....	13	Featherboards	27
Blade Guard	14	Cutoff Gauge	27
Rip Fence	14	Jigs	27
Miter Gauge	14	ALIGNMENT	28
On-Board Storage.....	15	Riving Knife Alignment With The Blade	28
Adjusting the 90° and 45° Positive Bevel Stops	15	Adjusting The Miter Stops	28
Securing Saw to Floor	15	Aligning Fence Parallel To Miter Slot	29
PREPARING TO CUT	16	Aligning Fence Perpendicular to the Table.....	29
Raising and Lowering the Blade	16	240 VOLT SINGLE PHASE OPERATION	30
Tilting the Blade	16	MAINTENANCE	31
Selecting and Storing Saw Blades	17	TROUBLESHOOTING	31
Changing the Saw Blade	17	ACCESSORIES	31
Riving Knife Position	17	WARRANTY	32
Height Settings	18	PARTS, SERVICES AND WARRANTY ASSISTANCE	32
Checking Riving Knife Alignment.....	18	REPLACEMENT PARTS	32
Using the Miter Gauge.....	19	FRENCH	33
Using Blade Guard Assembly.....	19	SPANISH	65
Checking Fence Alignment	19		

FUNCTIONAL DESCRIPTION

The DELTA® #36-725 10-inch Contractor Table Saw is designed for portability and high quality performance. It includes: basic machine, sturdy tubular steel stand, integral dust chute, a T-Square® fence system, t-slot miter gage, 13-amp induction motor, on/off switch, cast iron table, extension wings, see-through blade guard with anti-kickback fingers, and 10-inch carbide blade.

SPECIFICATIONS

Max depth of cut at 90 degrees:	3-1/2"
Max depth of cut at 45 degrees:	2-1/2"
Max rip to right of blade:	30"
Max rip to left of blade:	15"
Max width of dado:	13/16"
MOTOR SPECIFICATIONS:	
Amps	13/6.5
Voltage	120/240

NOTICE: The manual cover illustrates the current production model. All other illustrations contained in the manual are representative only and may not be exact depictions of the actual labeling or accessories included. They are intended for illustrative purposes only.

IMPORTANT SAFETY INSTRUCTIONS

⚠ WARNING: CAREFULLY READ AND FOLLOW ALL WARNINGS AND INSTRUCTIONS ON YOUR PRODUCT AND IN THIS MANUAL. SAVE THIS MANUAL. MAKE SURE ALL USERS ARE FAMILIAR WITH ITS WARNING AND INSTRUCTIONS WHEN USING THE TOOL. Improper operation, maintenance or modification of tools or equipment could result in serious injury and/or property damage.

If you have any questions or concerns relative to the use of your tool or the contents of this manual, stop using the tool and contact DELTA® Power Equipment Corporation Customer Care at 1-800-223-7278.

SAFETY LOGOS

The definitions below describe the level of severity for each signal word. Please read the manual and pay attention to these symbols.

⚠ DANGER: Indicates an imminently hazardous situation which, if not avoided, will result in death or serious injury.

⚠ WARNING: Indicates a potentially hazardous situation which, if not avoided, could result in death or serious injury.

⚠ CAUTION: Indicates a potentially hazardous situation which, if not avoided, may result in minor or moderate injury.

GENERAL POWER TOOL SAFETY RULES

⚠ WARNING: Failure to follow these rules may result in serious personal injury.

- 1. READ INSTRUCTION MANUAL AND KNOW YOUR TOOL.** Read and familiarize yourself with entire instruction manual. Learning the tool's proper applications, limitations, and specific potential hazards will greatly minimize the possibility of accidents and injury. Make sure all users are familiar with its warnings and instructions before using tool.
- 2. KEEP GUARDS AND SAFETY DEVICES IN PLACE** and working properly.
- 3. REMOVE ADJUSTING KEYS AND WRENCHES.** Form habit of checking to see that all adjusting keys and wrenches are removed before starting tool.
- 4. KEEP WORK AREA CLEAN AND WELL LIT.** Cluttered or poorly-lit work areas, surfaces and benches can lead to accidents.
- 5. DO NOT USE OR STORE TOOL IN DANGEROUS ENVIRONMENTS.** Exposure to rain and damp or wet locations can result in shock or electrocution, or damage the tool. Do not operate electric tools near flammable liquids or in gaseous or explosive atmospheres. Motors and switches in these tools may spark and ignite fumes.
- 6. KEEP CHILDREN AND BYSTANDERS AWAY** from work area.
- 7. LOCK TOOLS AND WORK AREA.** Use padlocks, and master switches, or remove and store starter keys to prevent operation by children and other unauthorized users.
- 8. DO NOT FORCE TOOL OR WORKPIECE.** Operate tool at intended speed and feed rate for better and safer operation.
- 9. USE PROPER TOOL.** Do not force tool to do a task for which it was not designed.
- 10. DO NOT ABUSE POWER CORDS. NEVER** yank cord to disconnect from receptacle, crush cord, or expose it to heat, oil or sharp objects.
- 11. USE PROPER EXTENSION CORD.** If you use an extension cord, make sure it is in good condition and heavy enough to carry the current your product will draw. An undersized cord will cause a drop in line voltage, resulting in loss of power and overheating. See Extension Cord Chart for correct size depending on cord length and data plate ampere rating. If in doubt, use the next smaller gauge number. The smaller the gauge number, the heavier the cord. When working outside, make sure extension cord is rated for outdoor use. Consult power connection section of this manual for Extension Cord Chart and power connection safety.
- 12. SECURE WORKPIECE.** Use clamps or a vise to hold the workpiece when practical. It is safer than using your hands and frees both hands to operate tool.
- 13. DO NOT OVERREACH.** Keep proper footing and balance to maintain control.
- 14. MAINTAIN TOOLS WITH CARE.** Keep tools sharp and clean for best and safest performance. Follow instructions for lubricating and changing accessories.
- 15. DISCONNECT TOOL** from power source before servicing, adjusting or changing set-ups or blades, bits, cutters and other accessories.
- 16. TO REDUCE RISK OF ACCIDENTAL STARTING,** make sure power switches are in "OFF" position before plugging tool in.
- 17. Do not touch the plug's metal prongs when** unplugging or plugging in the cord.

continued on page 4

GENERAL POWER TOOL SAFETY RULES

18. **USE RECOMMENDED ACCESSORIES.** Consult manual for recommended accessories. Use of inappropriate accessories may cause personal injury or property damage.
19. **NEVER STAND ON TOOL.** Serious injury could occur if the tool tips or if you unintentionally contact the cutting surface.
20. **CHECK TOOLS FOR DAMAGE.** Before using, and after tool or accessory has been dropped or damaged, check guards and affected parts for alignment of moving parts, binding of moving parts, breakage of parts, and any other condition that may affect its operation to make sure tool will operate properly and all parts will perform their intended function. Do not use a damaged product. A guard or any other part that is damaged should be properly repaired or replaced using factory-approved service parts.
21. **USE PROPER FEED DIRECTION.** Feed workpiece against the direction of rotation of the tool's blade, cutter, or abrasive surface. Feeding in the other direction may cause the workpiece to be thrown at high speed.
22. **NEVER LEAVE TOOL RUNNING UNATTENDED. TURN POWER OFF.** Do not leave tool until it comes to a complete stop. In the event of a power failure, move switch to "OFF" position.
23. **STAY ALERT, WATCH WHAT YOU ARE DOING, AND USE COMMON SENSE.** Do not use power tools when tired or under the influence of drugs, alcohol, or medication. A moment of inattention while operating power tools may result in injury.

24. **SERVICE PARTS.** Use only identical replacement parts when servicing your tool.
25. **WEAR PROPER APPAREL.** Do not wear loose clothing, gloves, neckties, rings, bracelets, or other jewelry which may get caught in moving parts. Nonslip protective footwear is recommended. Wear protective hair covering to contain long hair.
26. **WEAR PROPER EYE PROTECTION.** All persons in work area should wear safety glasses with side shields. Everyday eyeglasses with impact resistant lenses are not safety glasses. Eye equipment should comply with ANSI Z87.1 standards.
27. **HEARING PROTECTION.** All people in work area should wear proper hearing protection consistent with noise levels and exposure. Hearing equipment should comply with ANSI S3.19 standards.
28. **DUST PROTECTION.** Use of power tools can generate and/or disburse dust, which may cause serious and permanent respiratory or other injury, including silicosis (a serious lung disease), cancer, and death. Direct particles away from face and body. Always operate tool in well-ventilated area and provide for proper dust removal. Use dust collection system whenever possible. Avoid breathing dust and avoid prolonged contact with dust. Allowing dust to get into your mouth or eyes, or lay on your skin may promote absorption of harmful material. Use properly fitting NIOSH/OSHA approved respiratory protection appropriate for the dust exposure and wash exposed areas with soap and water.

PROPOSITION 65 WARNING: Dust created by power sanding, sawing, grinding, drilling, and other construction activities may contain chemicals known to the state of California to cause cancer, birth defects or other reproductive harm. Some examples are:

- Lead from lead-based paints
- Crystalline silica from bricks and cement and other masonry products
- Asbestos dust
- Arsenic and chromium from chemically-treated lumber

Your risk from these exposures varies depending on how often you do this type of work. To reduce your exposure to these chemicals: work in a well-ventilated area and work with approved safety equipment, such as dust masks that are specially designed to filter out microscopic particles.

SAVE THESE INSTRUCTIONS.

Refer to them often and use them to instruct others.

If tool is loaned to someone, also loan them these instructions.

TABLE SAW SAFETY RULES

⚠ WARNING: Failure to follow these rules may result in serious personal injury.

- **SEE GENERAL POWER TOOL SAFETY SECTION OF THIS MANUAL.** Read entire instruction manual before operating saw. Learning the saw's proper applications, limitations, and specific potential hazards will greatly minimize the possibility of accidents and injury. Make sure all users are familiar with its warnings and instructions before using saw.
- **SEE POWER CONNECTION SECTION OF THIS MANUAL** for instructions and warnings regarding power cords and connections.

TERMINOLOGY

The following terms will be used throughout the manual and you should become familiar with them.

- Through-cut refers to any cut that completely cuts through the workpiece.
- Non-through cut refers to any cut that does not completely cut through the workpiece.
- Push stick refers to a wooden or plastic stick, usually homemade, that is used to push a small workpiece through the saw and keeps the operator's hands clear of the blade.
- Kickback occurs when the saw blade binds in the cut or between the blade and the fence and thrusts the workpiece back toward the operator.
- Freehand refers to cutting without the use of a miter gauge or rip fence or any other means of guiding or holding the workpiece other than the operator's hand.
- Plunge cutting refers to blind cuts in the workpiece made by either raising the blade through the workpiece or lowering the workpiece down to the blade.
- Re-sawing – Flipping material to make a cut the saw is not capable of making in one pass.
- Cove cutting – Also known as coving, cove cutting is an operation where the work is fed at an angle across the blade.

⚠ WARNING: Failure to follow these rules may result in serious personal injury.

1. **NEVER** Perform freehand cutting, plunge cutting, resawing, or cove cutting.
2. **WEAR EYE PROTECTION**, appropriate apparel, hearing protection and dust protection as specified in the General Power Tool Safety Section of this manual.
3. **USE SAW BLADE GUARD, RIVING KNIFE AND ANTI-KICKBACK PAWLS.** Your saw is equipped with a modular blade guard, riving knife and anti-kickback pawl assembly, each component of which should be used for every possible operation, including all through cuts. This assembly is discussed in more detail below. Make sure components are securely installed prior to operation.
4. **KEEP HANDS AND OTHER BODY PARTS OUT OF THE BLADE PATH. NEVER** have any part of your body in line with the path of the saw blade.
5. **USE A PUSH STICK** that is appropriate to the application to push and hold down a workpiece through the completion of the cut. A push stick is a wooden or plastic stick, usually homemade, that should be used whenever the size or shape of the workpiece would cause you to place your hands within 6 in. (152 mm) of the blade. Instructions for making a push stick are included in this manual.
6. **AVOID KICKBACK.** Pay particular attention to instructions (below) for reducing risk of kickback.
7. **NO FREEHAND CUTS.** Always use a rip fence, miter gauge, or other appropriate devices to guide or hold down the workpiece. Use hold-downs, jigs, fixtures or feather boards to help guide and control the workpiece. Accessories for use with your saw are available at extra cost from your local dealer or authorized service center.
8. **DO NOT USE RIP FENCE AND MITER GAUGE AT THE SAME TIME.**
9. **DO NOT REACH OVER/REACH AROUND.** Never reach over, in back of, or around the cutting tool with either hand while the blade is in motion.
10. **STABILITY.** Make sure table saw is properly assembled and located on a stable surface before use to keep saw from moving during cut.
11. **PROPER ASSEMBLY.** Do not operate this saw until it is completely assembled and installed according to the instructions.
12. **CHECK WORKPIECE AND SET-UP** before each operation. Knots, irregularities, or nails in workpiece and positioning mistakes or incomplete set-up may interfere with or affect saw performance and personal safety.
13. **USE PROPER THROAT PLATE.** The proper throat plate must be in place and properly secured at all times to reduce the risk of a thrown workpiece and possible injury.
14. **USE CORRECT BLADE AND RIVING KNIFE** for the intended operation. The blade must be installed so the points of the teeth are pointing toward the front of the saw. Do not use oversized blade or blade with incorrect arbor opening. Always tighten the blade arbor nut securely. Before use, inspect the blade for cracks or missing teeth. Do not use a damaged or dull blade. Always use blade within the thickness range for which the riving knife is designed.

TABLE SAW SAFETY RULES (continued)

15. **AVOID AWKWARD OPERATIONS AND HAND POSITIONS** where a sudden slip could cause a hand to move into a saw blade. Operate with table at or near waist level for maximum balance and control. Anticipate effect of workpiece size on your ability to adjust position and maintain control through completion of cut.
16. **KEEP ARMS, HANDS AND FINGERS AT LEAST SIX INCHES AWAY FROM THE BLADE.**
17. **NEVER CUT METALS, CEMENT BOARD OR MASONRY.** Certain man-made materials have special instructions for cutting on table saws. Follow the manufacturer's recommendations at all times.
18. **NEVER ATTEMPT TO FREE A STALLED BLADE OR TRAPPED WORKPIECE** without first turning the machine off and disconnecting the saw from the power source.
19. **NEVER START THE MACHINE WITH THE WORKPIECE AGAINST THE BLADE** to reduce the risk of a thrown workpiece.
20. **NEVER PERFORM LAYOUT, ASSEMBLY OR SET-UP WORK ON THE TABLE/WORK AREA** when the saw is running.
21. **BEFORE LEAVING THE SAW**, wait for the blade to come to a complete stop, then disconnect from the power source, clean the table and work area, and lock out switch to prevent unauthorized use.
22. **SUPPORT YOUR WORKPIECE** based on its size and the type of operation to be performed. Hold the work firmly against the fence and down against the table surface. Do not leave a wide panel or long board (or other large workpiece) unsupported – the weight of the board may cause it to shift on the table resulting in loss of control.
23. **AN UNFAMILIAR NOISE OR EXCESSIVE VIBRATION** may indicate a problem with your saw. If this happens, turn it off and disconnect it from the power source until the problem has been located and corrected. Contact customer service for assistance if the problem cannot be solved.
24. **OBTAIN ADVICE** from your supervisor, instructor, or another qualified person if you are not thoroughly familiar with the operation of this machine. Knowledge is safety.

SAW BLADE GUARD, ANTI-KICKBACK PAWLS AND RIVING KNIFE ASSEMBLY

Your table saw is equipped with a blade guard, anti-kickback pawls and riving knife assembly that covers the blade and reduces the possibility of accidental blade contact. The riving knife is a flat plate that fits into the cut made by the saw blade and effectively fights kickback by lessening the tendency of the blade to bind in the cut. Two anti-kickback pawls are located on the sides of the riving knife that allow the wood to pass through the blade in the cutting direction but reduce the possibility of the material being thrown backwards toward the operator. The blade guard and anti-kickback pawls can only be used when making through cuts that sever the wood. When making rabbets and other non-through cuts, the blade guard and anti-kickback pawls must be removed and riving

knife lowered to the non-through cut position marked on the riving knife.

Use all components of the guarding system (blade guard assembly, riving knife and anti-kickback pawls) for every operation for which they can be used including all through-cutting. If you elect not to use any of these components for a particular application, exercise additional caution regarding control of the workpiece, the use of push sticks, the position of your hands relative to the blade, the use of safety glasses, the means to avoid kickback and all other warnings contained in this manual and on the saw itself. Replace the guarding systems as soon as you return to through-cutting operations. Keep the guard assembly in working order.

MAKING A PUSH STICK

In order to operate your table saw safely, you must use a push stick whenever the size or shape of the workpiece would otherwise cause your hands to be within 6 inches (152 mm) of the saw blade or other cutter. A push stick is included with this saw.

No special wood is needed to make additional push sticks as long as they are sturdy and long enough and the wood is free of knots, checks and cracks. A length of 16 inches (400 mm) is recommended with a notch that fits against the edge of the workpiece to prevent slipping. It's a good idea to have several push

sticks of the same minimum length, 16 inches (400 mm), with different size notches for different workpiece thicknesses.

The shape can vary to suit your own needs as long as it performs its intended function of keeping your hands away from the blade. Angling the notch so the push stick can be held at a 20- to 30-degree angle from the saw's table will help you to hold down the workpiece while also moving it through the saw. Refer to diagram in cutting aids section on page 25 of this manual.

TABLE SAW SAFETY RULES (continued)

KICKBACKS

Kickbacks can cause serious injury. A kickback occurs when a part of the workpiece binds between the saw blade and the rip fence, or other fixed object, and rises from the table and is thrown toward the operator. Kickbacks can be avoided by attention to the following conditions.

HOW TO REDUCE THE RISK OF KICKBACKS AND PROTECT YOURSELF FROM POSSIBLE INJURY:

- Be certain that the rip fence is parallel to the saw blade.
- **DO NOT** rip by applying the feed force to the section of the workpiece that will become the cut-off (free) piece. Feed force when ripping should always be applied between the saw blade and the fence; use a push stick for narrow work, 6 inches (152 mm) wide or less.
- Keep saw blade guard, riving knife and anti-kickback assembly in place and operating properly. The riving knife must be in alignment with the saw blade and the anti-kickback assembly must stop a kickback once it has started. Check their action before ripping by pushing the wood under the anti-kickback assembly. The teeth must prevent the wood from being pulled toward the front of the saw. If any part of assembly is not operational, return to the nearest authorized service center for repair.
- Plastic and composite materials (like hardboard) may be cut on your saw. However, since these are usually quite hard and slippery, the anti-kickback pawls may not stop a kickback. Therefore, be especially attentive to following proper set up and cutting procedures for ripping.
- Use saw blade guard, anti-kickback pawls, and riving knife assembly for every possible operation, including all through-cut sawing.
- Push the workpiece past the saw blade prior to releasing control.
- **NEVER** rip a workpiece that is twisted or warped, or does not have a straight edge to guide along the fence.
- **NEVER** saw a large workpiece that cannot be controlled.
- **NEVER** use the fence as a guide or length stop when crosscutting.
- **NEVER** saw a workpiece with loose knots, flaws, nails or other foreign objects.
- **NEVER** rip a workpiece shorter than 10 inches (254 mm).
- **NEVER** use a dull blade. A dull blade should be replaced or re-sharpened.

POWER CONNECTIONS

POWER SOURCE

This saw is equipped with a 13-amp motor for use with a 120-volt, 60-HZ alternating current. It can be re-wired for use with a 240-volt power source by a qualified electrician. See instructions below regarding proper connections for your saw as wired.

For voltage, the wiring in a shop is as important as the motor's rating. A line intended only for lights may not be able to properly carry the current needed for a power tool motor; wire that is heavy enough for a short distance may be too light for a greater distance; and a line that can support one power tool may not be able to support two or three.

⚠ DANGER: DO NOT EXPOSE THE MACHINE TO RAIN OR OPERATE THE MACHINE IN DAMP LOCATIONS.

GROUNDING INSTRUCTIONS

⚠ DANGER: THIS MACHINE MUST BE GROUNDED WHILE IN USE TO PROTECT THE OPERATOR FROM ELECTRIC SHOCK.

In the event of a malfunction or breakdown, grounding provides a path of least resistance for electric current to reduce the risk of electric shock. This machine is equipped with an electric cord having a grounding conductor and a grounding plug. The plug must be plugged into a matching receptacle that is properly installed and grounded in accordance with all local codes and ordinances.

Do not modify the plug as provided on your saw or as rewired by your electrician. If it will not fit the

A separate electrical circuit should be used for your machines. This circuit should not be less than #12 wire and should be protected with a 20-amp time lag fuse. If an extension cord is used, use only 3-wire extension cords which have 3-prong grounding-type plugs and matching receptacle which will accept the machine's plug. Before connecting the machine to the power line, make sure the switch (s) is in the "OFF" position and be sure that the electric current is of the same characteristics as indicated on the machine. A substantial voltage drop will cause a loss of power and overheat the motor. It may also damage the machine.

receptacle, have the proper receptacle installed by a qualified electrician.

Improper connection of the equipment-grounding conductor can result in risk of electric shock. The conductor with insulation having an outer surface that is green with or without yellow stripes is the grounding conductor. If repair or replacement of the electric cord or plug is necessary, do not connect the equipment-grounding conductor to a live terminal.

POWER CONNECTIONS (continued)

Check with a qualified electrician or service personnel if the grounding instructions are not completely understood, or if in doubt as to whether the machine is properly grounded.

Use only 3-wire extension cords that have 3-prong grounding type plugs and matching, properly grounded

3-conductor receptacles that accept the machine's plug, as shown in Figure A, or a properly grounded receptacle with a grounding means adaptor, as shown in Figure B.

Repair or replace damaged or worn cord immediately.

⚠ DANGER: IN ALL CASES, MAKE CERTAIN THE RECEPTACLE IN QUESTION IS PROPERLY GROUNDED. IF YOU ARE NOT SURE, HAVE A qualified ELECTRICIAN CHECK THE RECEPTACLE.

This is a grounded, cord-connected tool intended for use on a supply circuit having a nominal voltage of 120 volts. It is intended to for use on a circuit that has an outlet as shown in FIG. A. It has a plug as shown in FIG. A. If you have a 2 pole receptacle as shown in FIG. B you may use a temporary adapter, as shown in FIG. B. if a properly grounded outlet is not available. The green ear lug extending from the adapter must be connected to a permanent grounded outlet box. The temporary adapter should be used only until a properly grounded outlet can be installed by a qualified electrician.

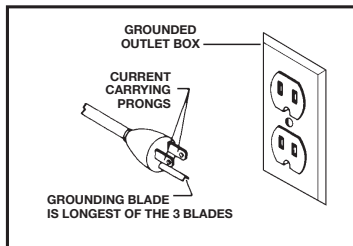


FIG. A

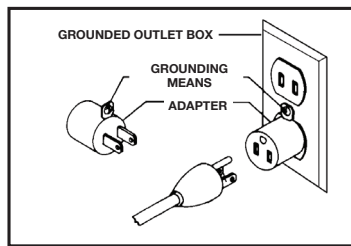


FIG. B

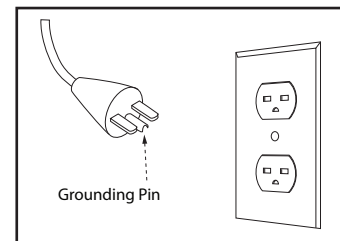


FIG. C

This tool may be converted to 240 volt power supply circuit by a qualified electrician. If it is converted to 240 volts it must be equipped with a grounding plug shown in FIG. C and must be connected to an outlet as shown in FIG. C, which is connected to a permanent ground. No adapter is available or should be used with this tool when converted to 240 volts.

EXTENSION CORDS

⚠ DANGER: Never use a damaged extension cord. Check extension cords before each use. If damaged, replace immediately. Touching the damaged area could case electrical shock resulting in serious injury.

⚠ CAUTION: Keep the extension cord clear of the work area. Position the cord so it will not get caught on lumber, tools or other obstructions

- Use proper extension cords. Make sure your extension cord is a 3-wire extension cord which has a 3-prong grounding type plug and matching receptacle which will accept the machine's plug, as described in this manual's Grounding Instructions. When using an extension cord, be sure to use one heavy enough to carry the current of the machine. An undersized cord will cause a drop in line voltage, resulting in loss of power and overheating. The table below shows the maximum gauge to use depending on the cord length. If in doubt, use the next heavier gauge. The smaller the gauge number, the heavier the cord. Only round, jacketed cords listed by Underwriter's Laboratories (UL) should be used.

MINIMUM GAUGE EXTENSION CORD RECOMMENDED SIZES FOR USE WITH STATIONARY ELECTRIC MACHINES			
Ampere Rating	Volts	Total Length of Cord in Feet	Gauge of Extension Cord
0-6	240	up to 50	18 AWG
0-6	240	50-100	16 AWG
0-6	240	100-200	16 AWG
0-6	240	200-300	14 AWG
6-10	240	up to 50	18 AWG
6-10	240	50-100	16 AWG
6-10	240	100-200	14 AWG
6-10	240	200-300	12 AWG
10-12	240	up to 50	16 AWG
10-12	240	50-100	16 AWG
10-12	240	100-200	14 AWG
10-12	240	200-300	12 AWG
12-16	240	up to 50	14 AWG
12-16	240	50-100	12 AWG

MINIMUM GAUGE EXTENSION CORD RECOMMENDED SIZES FOR USE WITH STATIONARY ELECTRIC MACHINES			
Ampere Rating	Volts	Total Length of Cord in Feet	Gauge of Extension Cord
0-6	120	up to 25	18 AWG
0-6	120	25-50	16 AWG
0-6	120	50-100	16 AWG
0-6	120	100-150	14 AWG
6-10	120	up to 25	18 AWG
6-10	120	25-50	16 AWG
6-10	120	50-100	14 AWG
6-10	120	100-150	12 AWG
10-12	120	up to 25	16 AWG
10-12	120	25-50	16 AWG
10-12	120	50-100	14 AWG
10-12	120	100-150	12 AWG
12-16	120	up to 25	14 AWG
12-16	120	25-50	12 AWG
12-16	120	GREATER THAN 50 FEET NOT RECOMMENDED	

UNPACKING

⚠ WARNING:

- The machine is heavy, two people are required to unpack and lift.
- Use a safety strap to avoid tip over when lifting machine.
- Prior to tool assembly and use, read this manual thoroughly to familiarize yourself with proper assembly, maintenance and safety procedures.

Check shipping carton and machine for damage before unpacking. Carefully remove components in top foam layer. Remove the top layer of foam then remove all components in the bottom layer of foam. Lay out all parts on a piece of cardboard or other clean, flat surface. Two or more people are needed to lift the saw out of the carton. Always check for and remove protective shipping materials around motors and moving parts. Do not discard shipping carton and packing materials until you have carefully inspected the

contents, assembled the machine and are satisfied that it operates correctly.

Compare package contents to Component Parts List and Hardware Package List prior to assembly to make sure all items are present. Carefully inspect parts to make sure no damage occurred during shipping. If any parts are missing, damaged or preassembled, do not assemble. Instead, call DELTA® Customer Care at 1-800-223-7278 for assistance.

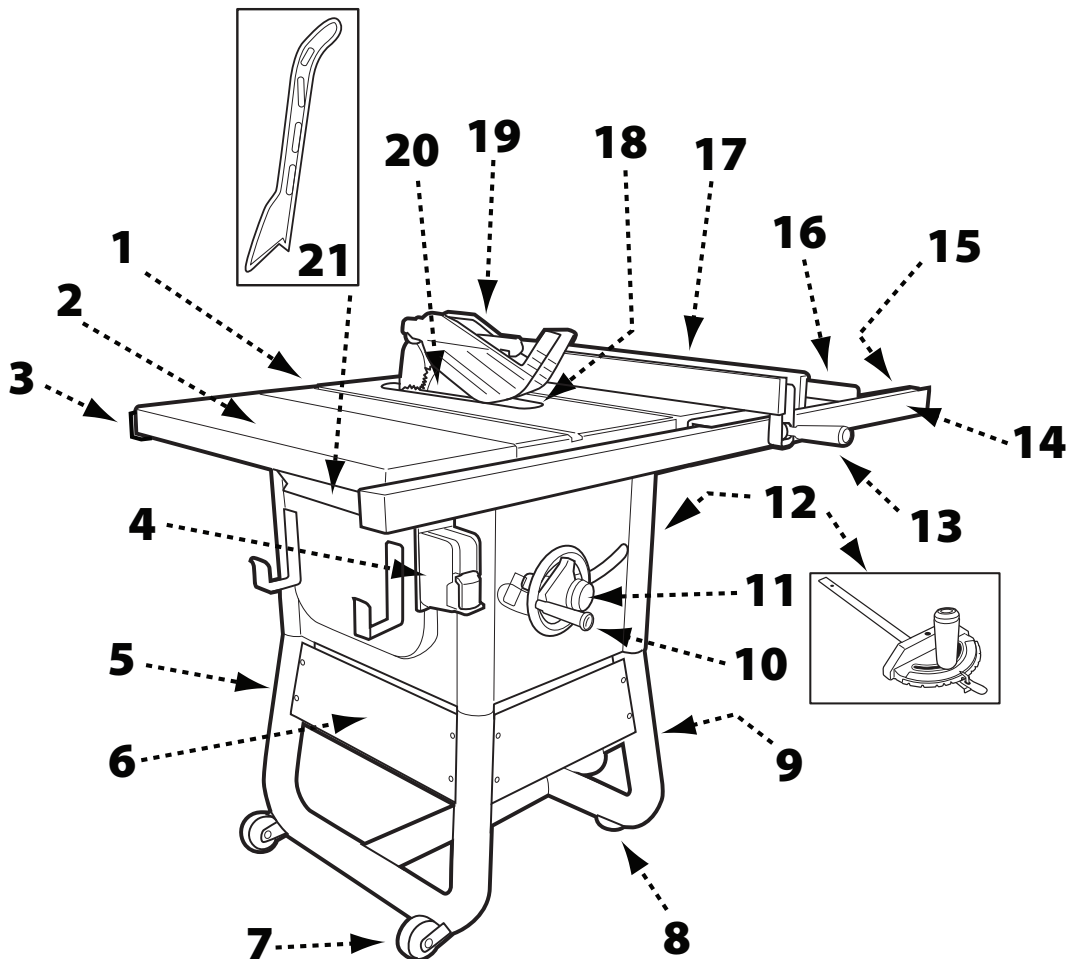
After assembly remove any protective materials and coatings from all of the parts and the table saw. The protective coatings can be removed by spraying WD-40® on them and wiping them off with a soft cloth. This may need to be redone several times before all of the protective coatings are removed completely.

After cleaning, apply a good quality paste wax to any unpainted cast iron surfaces. Make sure to buff out the wax before assembly.

COMPONENT PARTS LIST

DESCRIPTION (QTY)

1. Table Saw with attached Carbide Blade, and Closed-End Wrench (1)
2. Extension Wing (2)
3. Rear Rails (right & left) (2)
4. Switch Box (attached to saw) (1)
5. Tubular Stand (2)
6. Support Panels (4)
7. Fixed Wheels (2)
8. Adjustable Feet (2)
9. Pivoting Pedal and Caster (not shown) (attached to saw) (1)
10. Handwheel Handles (2) (attached to saw)
11. Lock Knobs (2)
12. Miter Gauge (1)
13. Rip Fence Handle (1)
14. Fence Guides (right & left) (2)
15. Front Fence Rails (right & left) (2)
16. Rail Spreader Bar (1)
17. Rip Fence (1)
18. Throat Plate (1)
19. Blade Guard and Anti-Kickback Pawls
20. Blade (1)
21. Push Stick (1)



UNPACKING (continued)

HARDWARE PACKAGE

DESCRIPTION (QTY)

	Item #	Parts List
1. M8 x 70mm carriage bolt (1)	153	
2. M8 nylock nut (3)	155	
3. M6 x 72mm carriage bolt (4)	144	
4. M6 nut (4)	145	
5. M8 spring washer (1)	154	
6. M8 x 53mm Axle Pin (2)	151	
7. M6 x 10mm self-tapping bolt (16)	146	
8. 3/16" hex wrench - T shape (1)	*	
9. 3/16" hex wrench - L shape (1)	*	
10. 6mm allen hex wrench - L shape (1)	*	

* = Item is not shown on the parts list.

	Item #	Parts List
11. 1/4"-20 x 1/2" hex butt hd screw w/1/4" spring washer (7)	35	
12. Front rail union plate(1)	32	
13. M5 x16mm shoulder bolt (2)	34	
14. M5 nylock nut (2)	33	
15. 5/16-18 x 7/8 hex screw w/spring washer (10)	58	
16. M5 x 6mm Phillips head screw (1)	26	
17. M8 x16 shoulder bolt (4)	20	
18. M8 nylock nut (4)	21	
19. 5/16-18 x 1 1/8 inch flat head screw (12)	19	
20. 5/16-18 hex flange nut (12)	22	
21. 5/16 lock washer (12)	23	
22. Wire clip: UC-1.5 white (1)	25	
23. Rail alignment gauge (1)	*	

ASSEMBLY

⚠ WARNING:

- Do not lift saw without help. Hold it close to your body while lifting. Keep knees bent and lift with your legs, not your back.
- Fully assemble saw with leg assembly prior to use. Leg assembly is an integral and necessary part of the support structure for this saw.
- Do not modify saw, or create accessories not recommended for use with this saw.
- Make sure power switch is in "OFF" position before connecting to power supply.
- Do not connect to power supply until assembly is complete

⚠ CAUTION: Avoid contact with blade teeth. Keep blade stored or lowered when possible.

TOOLS REQUIRED FOR ASSEMBLY (NOT INCLUDED):

- Slotted screwdriver
- Phillips head screwdriver
- 8mm wrench
- 10mm wrench
- 12mm wrench
- 13mm wrench
- 1/2-inch wrench
- 9/16-inch wrench
- 6mm Allen hex wrench
- 5/32-inch Allen wrench
- 3/16-inch Allen wrench

STAND

1. Connect the two tube legs by inserting the end of the left leg (A) into the end of the right leg (B) as shown in Figure 1. Secure with a M8 x 70mm carriage bolt, lock washer and nylock nut and tighten.
2. Insert the four open ends of the tube legs into the leg collars (C) as shown. Secure each leg with a M6 x 72mm bolt and nut.
3. Attach the back and front leg support panels (D) to the legs using four M6 x 10mm self-tapping bolts.

NOTE: Place screw through small hole first. Snug down but do not tighten this screw. Place rest of the screws through the slots and start threading into holes on mount tab on stand. Once all screws are started, tighten all four sufficiently to hold plate firmly. These are self-tapping screws and may be hard to thread at first. Follow this procedure for all four panels or 16 screws.

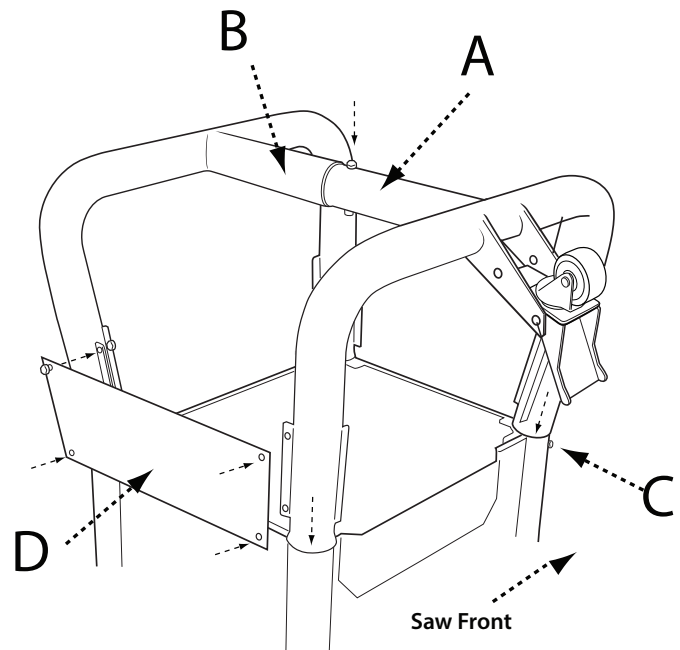


FIGURE 1

FIXED WHEELS AND STATIONARY FEET

1. Attach the two fixed wheels (A) to the two left leg, opposite the pivot caster, using the axle pins and nuts as shown. Figure 2.
2. Screw the adjustable feet (C) into the threaded inserts in the right leg, next to the pivot caster.
3. Lay a scrap piece of 2x4 in back of the saw, as shown in Figure 3, to prevent damage to the dust chute when righting the saw.
4. Stand the saw right side up.

⚠ WARNING: The machine is heavy, two people are required to stand the machine up.

5. The two adjustable feet (C) can be raised and lowered by rotating them. The feet may be adjusted to level the saw and locked in place with the locking set screws using a 6mm allen hex wrench. See Figure 2.

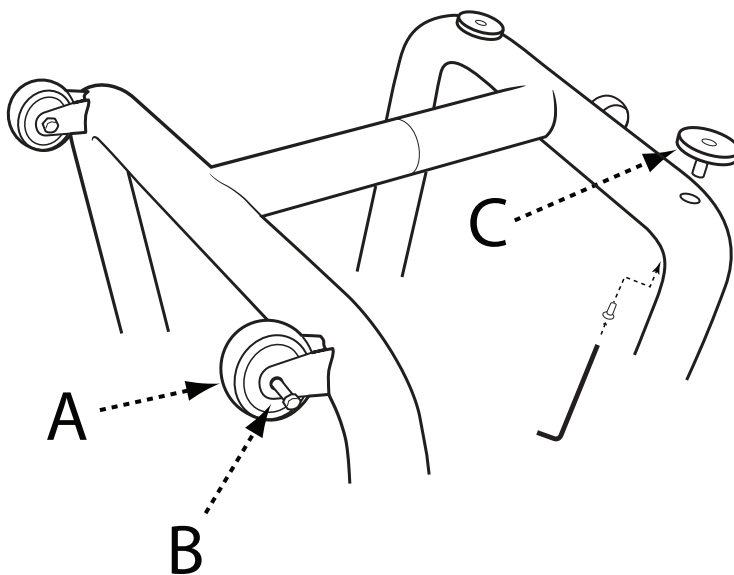


FIGURE 2

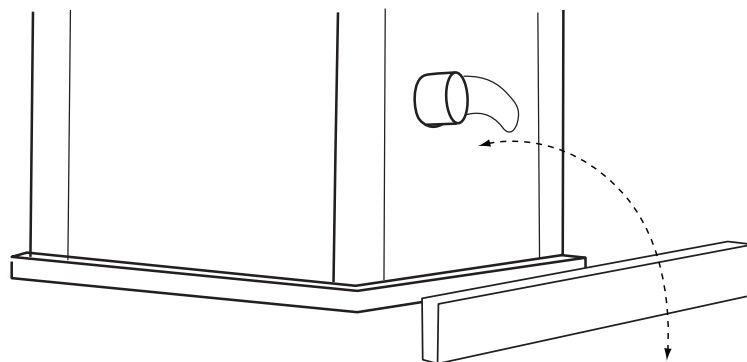


FIGURE 3

EXTENSION WINGS

1. Attach the extension wings (A) to the table using two 5/16-18 x 7/8" hex screws with spring washers for each wing. The wings attached from underneath.
2. Make sure the wings are flush with the tabletop.

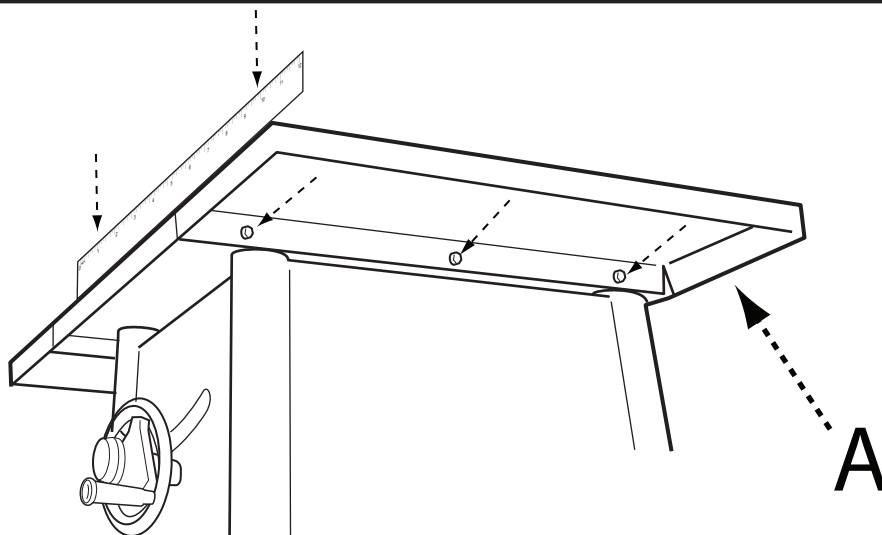


FIGURE 4

FRONT AND REAR RAILS

1. Attach the front rail halves (2" X 2" angles 36 3/4" and 20" long) to the table front and extension wings. Align the holes (A) in the front of the table top with the holes (B) in the left (short) and right (long) sections of the front rail, as shown in Figure 5, and attach using four 5/16-18 x 1 1/8" flat head screws, 5/16 lock washers and 5/16-18 hex flange nuts.
2. Attach the rail union plate (C) using two M5 x 16 shoulder bolts and M5 nylock nuts in the two holes where the rail sections meet.
3. Use supplied rail alignment gauge to ensure the rails are the proper distance from the top of the table. See Figure 6. The front rails have holes on both surfaces of the rail for attachment to both the table and the fence guide.
4. Attach the rear rail halves to the table with four 5/16 - 18 x 7/8" hex screws with lock washers. Attach rear rail halves to the extension wings using 5/16-18 x 1 1/8" flat head screws, 5/16" lock washers and 5/16-18 flanged nuts. Use the slot in the supplied gauge to ensure the rail is the proper distance from the top of the table.
5. Attach the spreader bar (D) to the outboard end of the front and rear rails using M8 x 16 shoulder bolts and M8 nylock nuts. See Figure 5.

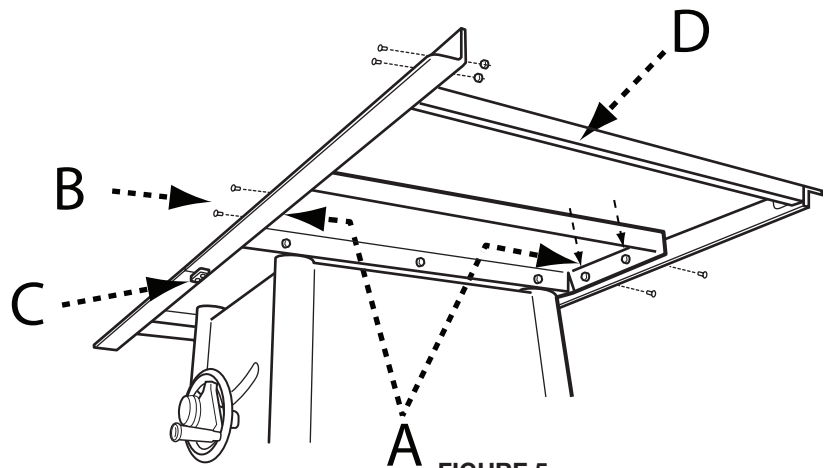


FIGURE 5

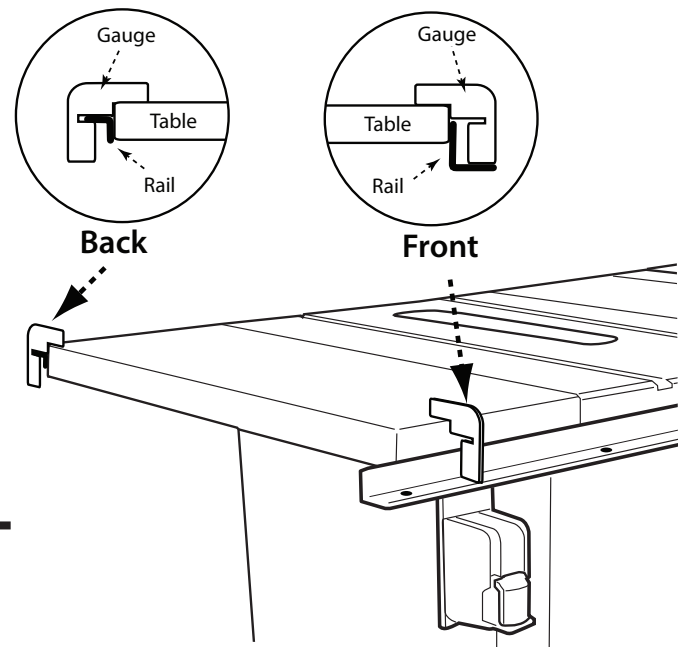


FIGURE 6

FENCE GUIDE AND POWER CONTROL BOX

1. Connect the two halves of the fence guide (A and B) by inserting the smaller end into the larger end. See Figure 7.
2. Attach the fence guide to the front rail using five 1/4-20 x 1/2-inch hex button head screws and 1/4-inch spring washers through the holes (C) on the bottom side of the front rail.
3. Align the two holes in the power control box bracket with the holes underneath the front rail (D), located on the left side of the saw. Secure the power control box to the front rail using two 1/4-20 x 1/2-inch button head screws.
4. Fix the hanging power cord at rear side of front rail by wire clip and M5 x 6mm round head cross screw.

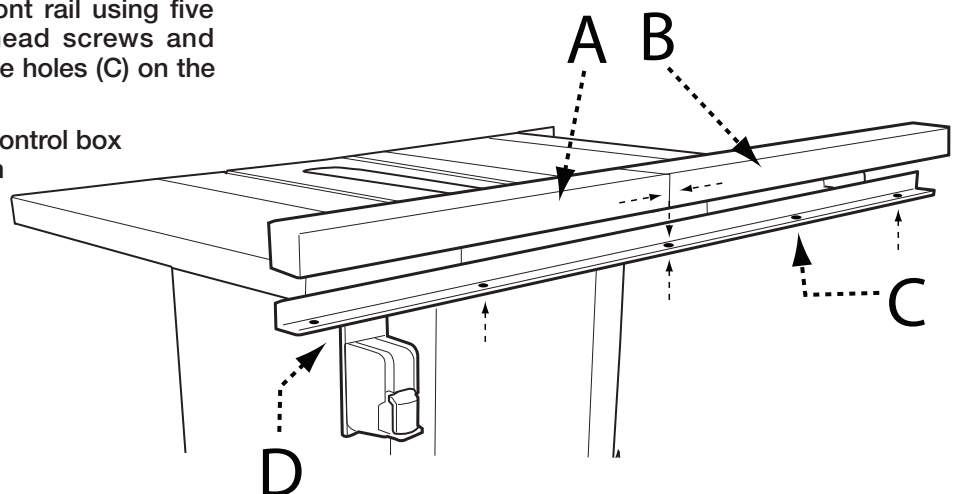


FIGURE 7

THROAT PLATE

1. To install throat plate, lower blade below tabletop, then carefully feed the throat plate, slotted end first, from the front of the table to the rear, keeping the blade centered within the slot on the throat plate. See Figure 8. The plate should rest within the cavity in the tabletop.
2. Ensure that the throat plate is flush with the top of the table.
3. If the throat is not flush with the tabletop, adjust the height of the throat plate using the four set screws (A).

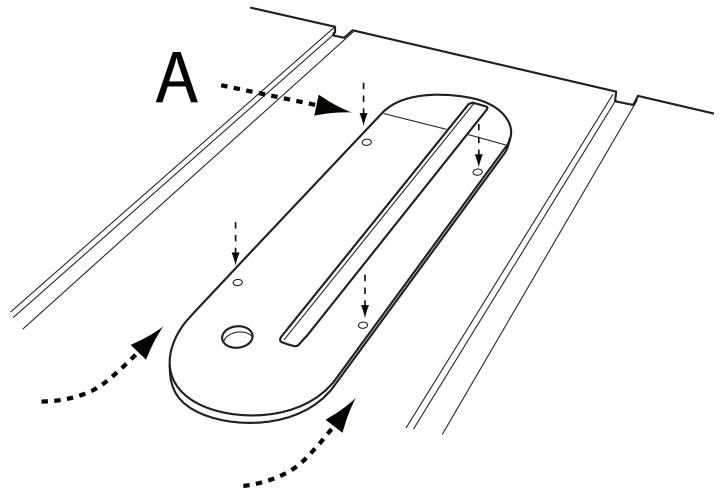


FIGURE 8

NOTE: When installing riving knife, anti-kickback pawls and blade guard, blade must be at 90° setting and raised to the maximum height. See Raising and Lowering Blade, page 16.

BLADE AND RIVING KNIFE

▲ WARNING: To reduce the risk of serious personal injury, the riving knife must be installed and properly positioned for every possible through and non-through cut.

1. Your saw is shipped with the blade and riving knife installed and properly aligned. The riving knife comes installed in the low, non-through cutting position. Prior to operating your saw, check to make sure the alignment of the blade to the miter slot and the riving knife to the blade was not

affected by shipping. To check alignment of the blade and riving knife, see page 28 in the Alignment section of this manual.

2. The riving knife comes installed in the low, non-through cutting position. To attach the anti-kickback pawls and blade guard assemblies, the riving knife must be in the raised position as shown in Figure 9. To raise and lower the riving knife, see Riving Knife Height Settings on page 18.

ANTI-KICKBACK PAWLS AND BLADE GUARD

ANTI-KICKBACK PAWLS

▲ WARNING: To reduce the risk of serious personal injury, anti-kickback pawls must be in place when making a through cut.

1. Refer to Figure 9 and locate the anti-kickback pawls mounting slot (A) in the middle of the top edge of the riving knife.
2. Slide slot in the middle of the anti-kickback pawls assembly along the top of the riving knife until the stem (B) locates the center slot on the riving knife.
3. Depress the stem on the anti-kickback pawls assembly (B) to allow the assembly to drop into the slot. Push down on the anti-kickback pawls assembly until it snaps into place and locks. Release stem. **NOTE:** Pull up on the anti-kickback pawls to make sure it is locked in place.

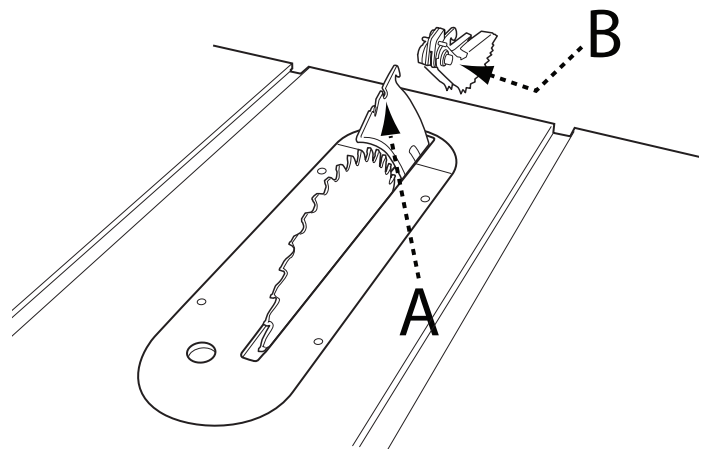


FIGURE 9

To remove the anti-kickback pawls, depress the stem (B) and pull the anti-kickback assembly off the riving knife.

BLADE GUARD

⚠ WARNING: To reduce the risk of serious personal injury, the blade guard must be in place when making a through cut.

1. While holding the blade guard assembly (A) in a vertical position, hook the locating pin (B) at the back end of the blade guard assembly into the slot at the back edge of the riving knife.
2. Rotate the blade guard assembly toward the front of the saw until the metal portion (C) of the blade guard assembly is parallel to the table as shown in Figure 10.
3. While holding down on the front of the metal portion of the guard (C) press the blade guard lock lever (D) down until it snaps into the locked position. Check to make sure the guard is locked onto the riving knife by pulling on the guard. If the guard is not locked, the blade guard lock lever will flip up to the unlocked position.

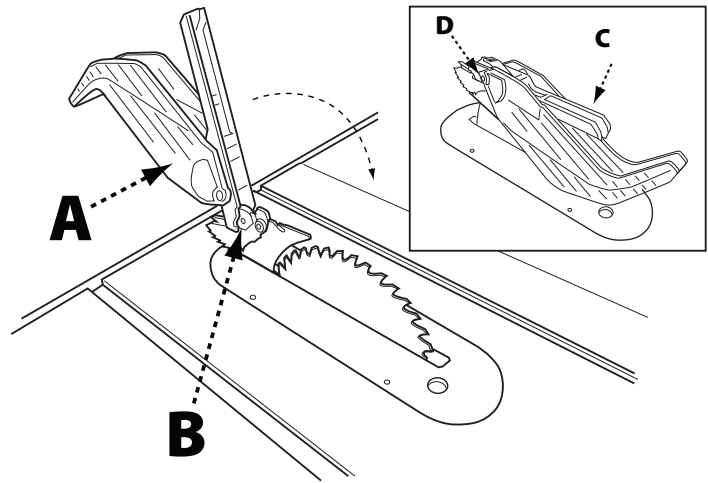


FIGURE 10

⚠ WARNING: If the metal portion of the blade guard assembly (C) is not parallel to the table, the riving knife is not in the raised position. Remove blade guard assembly and anti-kickback pawls and raise riving knife, then reinstall the anti-kickback pawls and the blade guard assembly.

To remove the blade guard assembly:

1. Lift the blade guard assembly lock lever (D) to the unlocked position.
2. Rotate the guard back and slide the pin (B) from the riving knife slot.

RIP FENCE

Attach the handle to the fence cam

The rip fence slides onto the rear fence rail so that the hook is under the rear rail and rides on the front guide tube. The fence locks in place by applying pressure in a downward motion on the rip fence handle. Rip fence alignment should be checked prior to using your saw. To check alignment of the rip fence, see alignment instructions on page 29.

MITER GAUGE

Insert miter gauge into each miter slot to make sure it slides freely. See Adjusting the Miter Stops section on page 28 for adjustment of miter gauge accuracy.

ON-BOARD STORAGE

The Delta #36-725 contractor table saw comes with on-board storage for the provided miter gauge, arbor wrench, push stick and fence. There is also on-board storage for spare saw blades (sold separately). The miter gauge, spare blade and arbor wrench storage areas are located on the right side panel of the machine and come pre-installed.

On-board storage for the fence and the push stick is located on the left side of the saw.

ADJUSTING 90° AND 45° POSITIVE BEVEL STOPS

There are positive stops at each end of the bevel range. To ensure accurate cuts, the positive stops must be positioned at exactly at 90° and 45°. The bevel stops are properly adjusted as shipped. However, for maximum accuracy, you should check the position of the stops upon assembly and from time to time to assure that the settings remain satisfactory. To check the position of the stops and adjust if necessary, refer to Figure 11 and do the following.

1. Release the blade tilt lock knob.
2. Rotate the blade tilt handwheel clockwise and tilt the blade away from, then back toward perpendicular until the stop is reached the "stop position".
3. Using a carpenter's square, check the angle of the blade face to the table, as shown in Figure 17b, page 18. If the blade is at 90° to the table, proceed to Step 6.
4. If the blade is not perpendicular to the table, turn handwheel to slightly tilt the blade away from the stop position then adjust the 90° stop by rotating the socket set screw located in the table top immediately in front of the left side of throat plate (A). Re-check angle using the carpenter's square and continue to adjust until the blade is at 90 degrees when returned to the stop position.
5. Rotate the blade tilt wheel counterclockwise until it rests on the 45° stop. Then repeat Steps 4 and 5, adjusting the 45° stop by rotating the socket set screw located in front of the right side of the throat plate. (B)

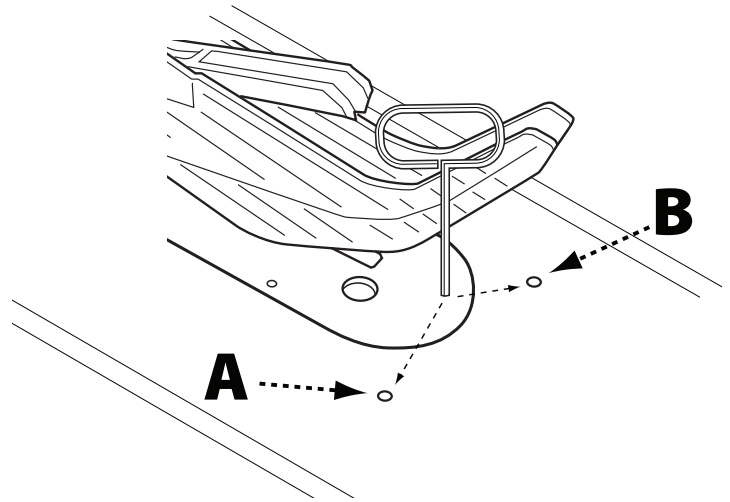


FIGURE 11

SECURING SAW TO FLOOR

⚠ WARNING: This saw is designed for portability. Do not attempt to use the saw to cut a large or cumbersome workpiece without first taking appropriate steps to protect against tipping the saw. Examples of appropriate steps include the use of support tables and/or securing the saw legs to the floor by replacing the saw feet with connecting bolts or by attaching the legs to a floor mounted bracket with u-straps.

PREPARING TO CUT

⚠ WARNING: Failure to comply with the following warnings may result in serious personal injury.

- **ALWAYS** make sure your workpiece is not in contact with the blade before operating the switch to start the saw. Blade contact could result in kickback or thrown workpiece.
- To reduce the risk of accidental starting, **ALWAYS** make sure the switch is in the off position before plugging saw into power source.
- **DO NOT** use blades rated less than the speed of this tool. Failure to heed this warning could result in serious personal injury.
- Turn unit off and disconnect it from power source before installing and removing accessories, before adjusting and when making repairs. An accidental start-up can cause injury.
- Prior to operating the saw, make sure you are familiar with its features and controls, and have made all necessary adjustments as described below.

RAISING AND LOWERING THE BLADE

For most applications, it is recommended that you raise the blade 1/8-inch (3.2mm) to 1/4-inch (6.4mm) above the top surface of the workpiece.

Raise or lower the blade with the hand wheel (A) located on the front of the saw (See Figure 12).

1. Before raising or lowering the blade, be sure to loosen the lock knob (B) by turning it counterclockwise.
2. To raise the saw blade, turn the hand wheel clockwise. To lower the saw blade, turn the hand wheel counter-clockwise.
3. Tighten lock knob to keep blade at the desired height. Only a small amount of force is required to lock the blade raising mechanism securely. Any added force merely puts unnecessary strain on the locking device.
4. When done operating the saw, and when performing maintenance, adjustments or repairs, lower blade below surface of table.

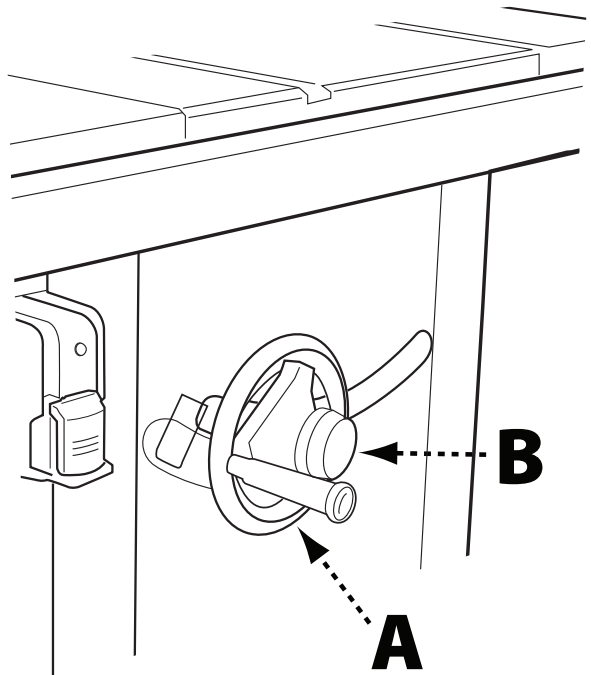


FIGURE 12

TILTING THE BLADE

The blade can be tilted up to 45° to the left using the blade tilt wheel (A) located on the right side panel of the saw. The angle of tilt is measured by the bevel gauge on the front of the saw. To tilt the saw blade:

1. Loosen the lock knob (B) counterclockwise and turn the hand wheel clockwise. A pointer on the front of the saw indicates the angle of tilt in 1/2-degree increments.
2. To lock the saw blade at your desired angle, tighten the lock knob by rotating it clockwise.

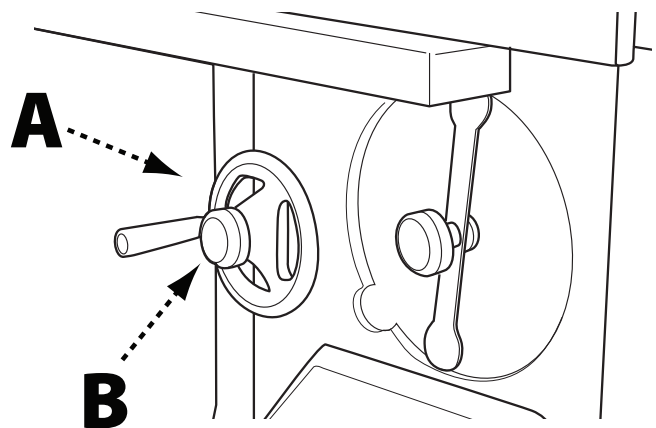


FIGURE 13

PREPARING TO CUT (continued)

SELECTING AND STORING SAW BLADES

Riving knives must be matched to saw blade dimensions in order to function effectively.

The saw blade furnished with your new saw is a 10-inch (254 mm) combination blade, used for cross cutting (across the grain) and ripping (with the grain) through the workpiece. The arbor hole of the blade is 5/8-inch (16 mm) diameter. This blade will produce a good quality cut for most applications.

There are many types of blades available to do specific and special jobs such as cross cut only, rip only, dado cuts thin plywood, paneling, etc.

Use only saw blades designed for maximum safe operating speeds of 3,600 RPM or greater.

Saw blades should always be kept sharp. It is recommended that you locate a reputable sharpening service to sharpen your blades when needed.

Never stack blades on top of one another to store. Place material such as cardboard between them to keep the blades from coming in contact with one another, or place them in storage drawer.

Abrasive wheels or blades (including diamond) should not be used on this saw.

CHANGING THE SAW BLADE

⚠ WARNING:

- Use only 10-inch (254 mm) diameter blades with 5/8-inch (16mm) arbor holes, rated at 3,600 rpm or higher, 0.102-inch (2.6mm) minimum kerf width and 0.073-inch (1.8mm) maximum body thickness.
 - To reduce the risk of injury, turn unit off and disconnect it from power source before installing and removing blades and accessories, before adjusting and when making repairs. An accidental start-up can cause injury.
1. Remove the throat plate and raise the saw blade to its maximum height.
 2. Push and hold arbor lock button (A) shown in Figure 14.
 3. Use included arbor wrench to remove the blade retaining nut and flange (B). Remove old blade.

4. Place the new blade on the arbor with the teeth pointing down as the blade rotates toward the front of the saw table.
5. Replace and tighten the blade retaining nut and flange.
6. Replace throat plate.

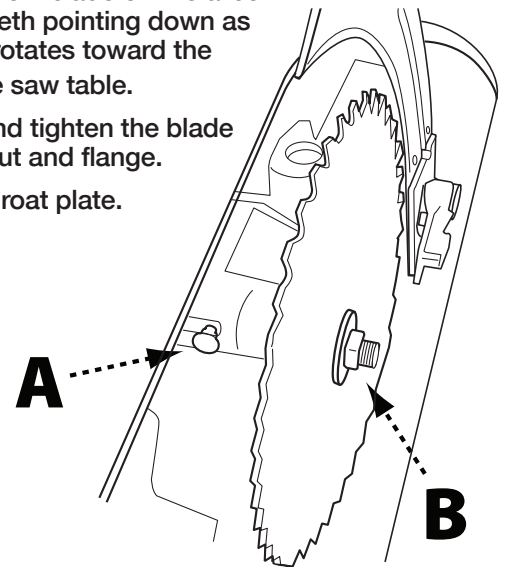


FIGURE 14

RIVING KNIFE POSITION

NOTE: Safety devices, blade guard assembly and anti-kickback assembly have been removed in Figure 15 in order to show the location of specific features. When operating the saw, these safety devices should be in place and working properly.

The riving knife is a flat plate that fits into the cut made by the saw blade and effectively fights kickback by lessening the tendency of the blade to bind in the cut. It must be installed and properly positioned for every through cut and for every non-through cut unless the riving knife would interfere with the workpiece.

The riving knife thickness (A) must be greater than the blade body or plate thickness (B) and less than the kerf or cutting width (C) as shown in Figure 15. The riving knife provided with this saw is 2.2mm thick and may be used only with a 10-inch (254mm) blade with 0.102-inch (2.6mm) minimum kerf width and 0.073-inch (1.8mm) maximum body thickness. Do not attempt to

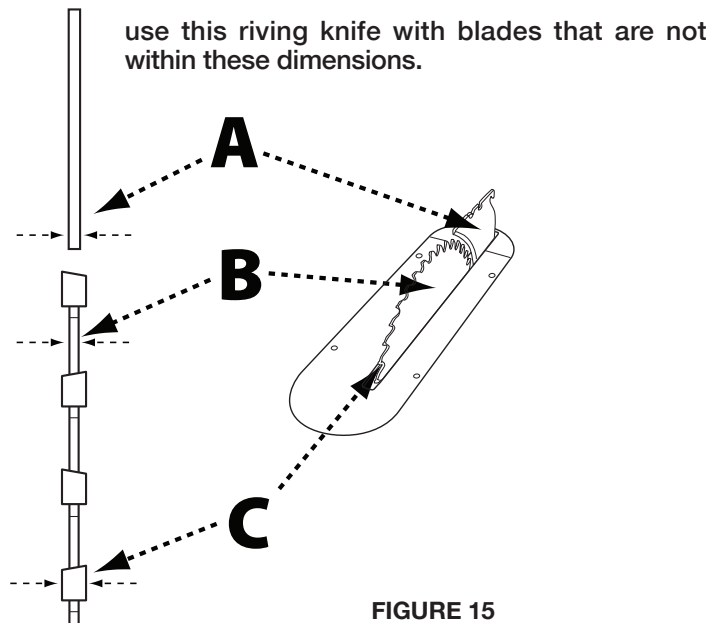


FIGURE 15

PREPARING TO CUT (continued)

RIVING KNIFE HEIGHT SETTINGS

The height of the riving knife should be adjusted based on the type of cut being made. For all through cuts (when the wood is completely severed), it should be in the raised position, with anti-kickback fingers and guard installed. For non-through cuts (when the blade does not penetrate the top of the workpiece), the riving knife should be in the lowered position and anti-kickback fingers and guard removed.

TO RAISE OR LOWER THE RIVING KNIFE:

1. Remove throat plate.
2. Raise blade to full height above table.
3. Pull riving knife release lever (A) up to release riving knife from clamping mechanism. See Figure 16.
4. Push riving knife and release lever to the arbor side of the blade to disengage riving knife from pins.
 - a. To adjust the riving knife into the through-cut position, pull riving knife up to lower detent pins.
 - b. To move the riving knife into the non-through cut position, push it down to upper detent pins.

NOTE: When adjusting the riving knife up or down, be sure to pull in a radial motion, as shown.

1. Release lever and pull on riving knife to make sure it is properly seated in the raised or lowered position.
2. Securely clamp riving knife by pushing riving knife clamping lever back down to the horizontal position.
3. Replace throat plate.

⚠ WARNING: DO NOT operate saw unless riving knife is securely clamped in the raised position for through-cutting or the lowered position for non through-cutting.

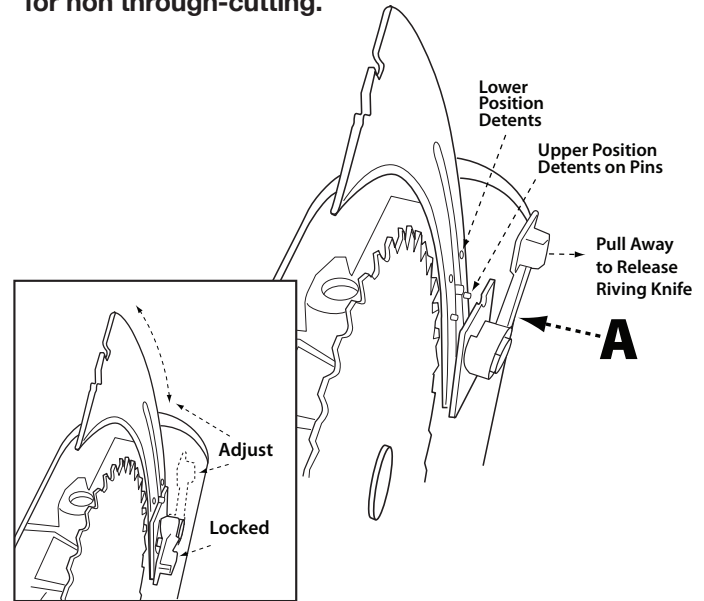


FIGURE 16

CHECKING RIVING KNIFE ALIGNMENT

⚠ WARNING: Before connecting the table saw to the power source and operating the saw, always inspect the blade guard assembly and riving knife for proper alignment and clearance with saw blade. Check the riving knife alignment after each blade change.

TO CHECK ALIGNMENT:

1. **Horizontal Alignment:** Lay a straight edge on the table against blade face (A) and make sure it extends out along the riving knife (B), as shown in Figure 17a. The riving knife should just touch the straight edge.

Be sure the straight edge goes between the teeth and rests on the blade face and the riving knife for proper alignment.

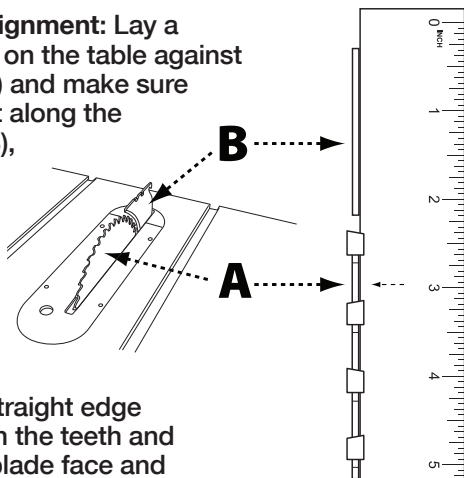


FIGURE 17a

1. **Vertical Alignment:** Place a carpenter's square on the table and against the blade face and make sure it extends up along the riving knife (B) as shown in figure 17b. The riving knife and blade should touch the carpenter's square with no gaps. Be sure the straight edge goes between the teeth and rests on the blade face and the riving knife for proper alignment.

If the riving knife and blade are out of horizontal or vertical alignment, refer to riving knife alignment instructions on page 28 of this manual.

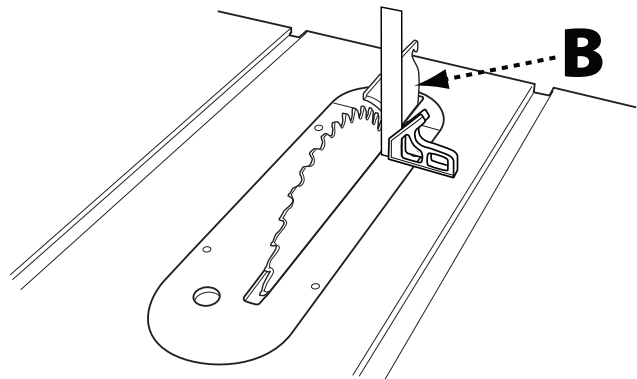


FIGURE 17b

PREPARING TO CUT (continued)

USING THE MITER GAUGE

The miter gauge is equipped with adjustable index stops at 90°, 75°, 60°, 45° and 30°. To set the miter for an angled cut, see Figure 18 and:

1. Loosen the handle (A).
2. Depress the thumb lever (B).
3. Move the body of the miter gauge to the desired angle.
4. Release the thumb lever and retighten the handle.

The miter gauge is equipped with a washer on the end of the bar which fits into the t-slot in the table. This allows the miter gauge to be pulled off the front edge of the table without falling. This allows for an increased workpiece capacity in front of the blade.

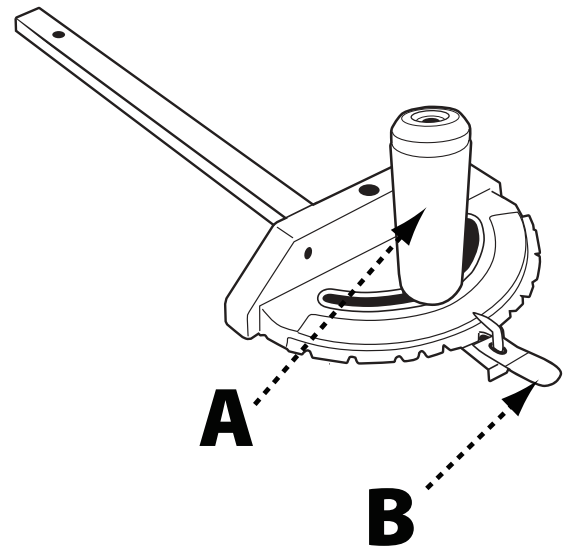


FIGURE 18

USING BLADE GUARD ASSEMBLY

⚠ WARNING: The anti-kickback pawls and blade guard must be used for all through-cuts. Keep both guard shields down and arms, hands and fingers away from the blade, blade guard and anti-kickback pawls when power is on to prevent serious injury. See assembly instructions on page 13 for proper installation and removal of anti-kickback pawls and blade guard.

If there is a need to briefly raise the blade guard (for example, to make a measurement) the guard can be parked in a raised position.

1. Refer to Figure 19 and, lifting the guard from the front, raise the guard shield until it snaps into a locked position above the table. One or both guard shields can be raised.
2. When done making the measurement, return guard to operating position.

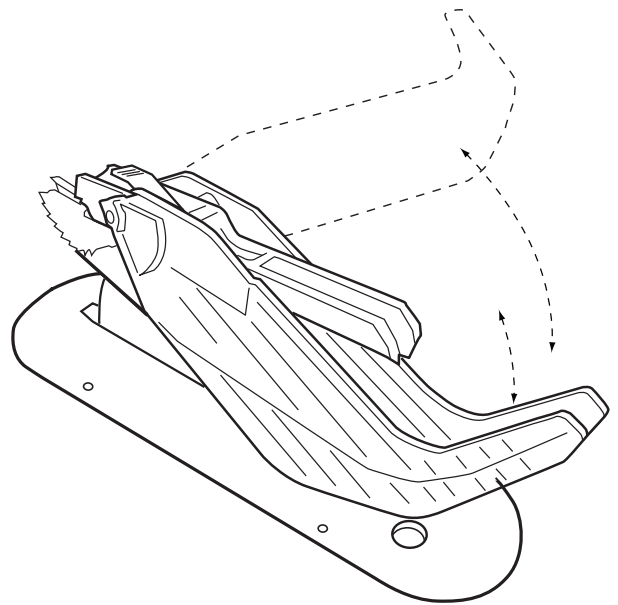


FIGURE 19

CHECKING FENCE ALIGNMENT

⚠ WARNING: Do not attempt to use a rip fence that is not properly aligned.

Every time you use the rip fence, check its alignment to make sure the fence is parallel to the miter slot. To check the alignment of your rip fence, place the fence adjacent to miter slot and lock the fence in place. If the fence is not aligned to the miter slot from the front to the back, see instructions for aligning rip fence on page 29 of this manual. If you are not able to successfully align the rip fence, replace the rip fence or contact 1-800-223-7278 for further instructions.

OPERATION

▲ WARNING: Failure to comply with the following the warnings may result in serious personal injury.

READ ENTIRE MANUAL. In addition to reading these operating instructions, it is important to read and understand the entire manual before operating this saw. Follow all applicable instructions regarding assembly, preparation, and adjustment prior to making any cuts and comply with all safety rules and warnings in this section and elsewhere throughout this manual.

1. Each time you use the saw, run through the following checklist:

- Are the power source and power connections adequate for the saw?
- Are the saw and work area free of clutter and by-standers?
- Is the blade tight and properly aligned?
- Does the riving knife thickness match the blade?
- Are the blade and riving knife properly aligned?
- Is the operator qualified to make the cut and familiar with all of the relevant safety rules, warnings and instructions included in this manual?
- Is the operator and everyone in proximity to the saw wearing appropriate eye, hearing and respiratory equipment?
- Are the bevel angle and height adjustment knobs locked in the proper position?
- Is the blade set at the proper height?
- If ripping, is the rip fence parallel to the blade and securely locked in position?
- If crosscutting, is the miter gauge knob tight?
- If making through cuts with a standard blade, are the blade guard riving knife and anti-kickback pawls properly attached and properly functioning with both guards contacting the table surface?
- Is there proper clearance and support for the workpiece as it leaves the blade?
- Are any cutting aids needed? If so, are they in place, or within reach for proper use?

2. The use of attachments and accessories not recommended by DELTA® Power Equipment Corporation may result in injury.

3. Replace or sharpen the anti-kickback fingers when the points become dull.
4. Make sure saw is stable and cutting can be accomplished without tipping the saw. Do not attempt to cut large workpieces without securing saw to a stable surface. To properly secure the saw, see instructions in section entitled Securing Saw to the Floor on page 15 of this manual.
5. Never use the fence and miter gauge together without using a cutoff block as previously described.
6. The proper throat plate must be in place at all times.
7. If your saw makes an unfamiliar noise or if it vibrates excessively, cease operating immediately until the source has been located and the problem corrected.
8. Never perform freehand cutting, plunge cutting, re-sawing or cove cutting.

AVOID KICKBACK

A kickback can occur when the workpiece pinches the blade, or binds between the saw blade and the rip fence or other fixed object. This can cause the workpiece to rise from the table and/or be thrown back toward the operator. See instructions for reducing the risk of kickback on page 7 of this manual.

IF KICKBACK OCCURS, turn the saw "OFF" and verify proper alignment of the blade, riving knife and miter gauge or rip fence, and the proper functioning of the riving knife, anti-kickback assembly and blade guard assembly before resuming work.

STARTING AND STOPPING THE SAW

The POWER switch (Figure 20) is located underneath the front left extension wing.

1. To turn the saw "ON", pull the red paddle switch (A) up and toward you.
2. To turn the saw "OFF", push the red paddle switch in.

When not in use, the saw should be turned off and the power switch locked out to prevent unauthorized use. To lock out power switch, use a standard long shackle lock, with a shackle that is at least 2 3/4 - inches (70mm) long and with shackle posts no larger than 9/32-inch (7mm) thick.

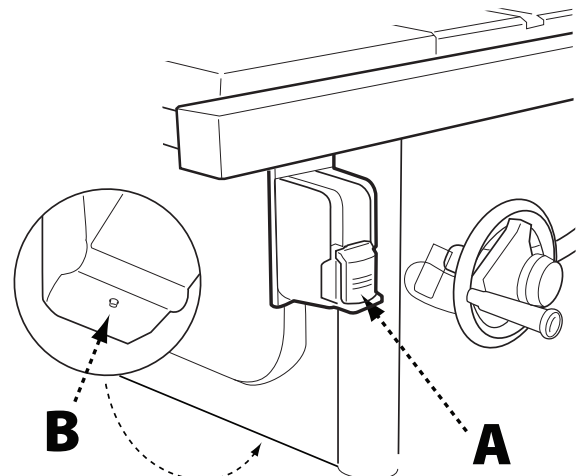


FIGURE 20

OVERLOAD PROTECTION

Your saw is supplied with overload protection. If the motor shuts off or fails to start due to overloading (cutting stock too fast, using a dull blade, using the saw beyond its capacity, etc.) or low voltage, let the motor cool three to five minutes. Then depress the red

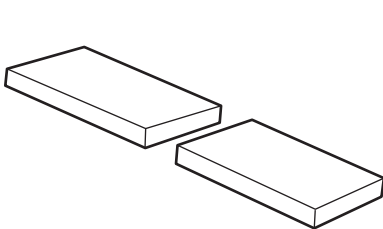
reset button (B), on the motor under the saw, shown in Figure 20, and restart the saw.

NOTICE: If the motor continually shuts off due to overloading, contact a qualified electrician.

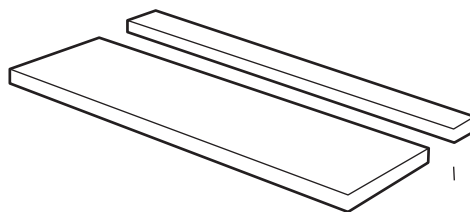
MAKING CUTS

⚠ WARNING: Failure to comply with the following the warnings may result in serious personal injury.

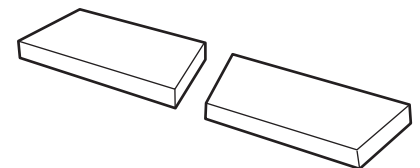
- Never touch the free end of the workpiece or a free piece that is cut off, while the power is on and/or the saw blade is rotating. Blade contact or binding may occur, resulting in a thrown workpiece
- When sawing a long workpiece or a panel, use a work support, such as a sawhorse, rollers or outfeed table at the same height as the table surface of the saw.
- Never try to pull the workpiece back with the blade turning. If you need to pull the workpiece back or lift it off the table, turn the switch off, allow the blade to stop, raise the anti-kickback teeth on each side of the riving knife if necessary, and slide the workpiece out.
- Before connecting the table saw to the power source or operating the saw, always inspect the blade guard assembly and riving knife for proper alignment and clearance with saw blade. Check alignment after each change of beveling angle.
- A rip fence should ALWAYS be used for ripping operations to prevent loss of control and personal injury. Always lock the fence to the rail. NEVER perform a ripping operation freehand.
- When making bevel cuts, place the fence on the right side of the blade so that the blade is tilted away from the fence and hands. Keep hands clear of the blade and use a push stick to feed the workpiece unless the workpiece is large enough to allow you to hold it more than 6 inches (152 mm) from the blade.
- Before leaving the saw unattended, lock out power switch, or take other appropriate measures to prevent unauthorized use of the saw.



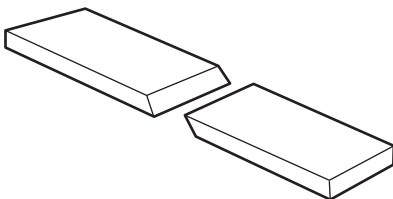
Cross Cut



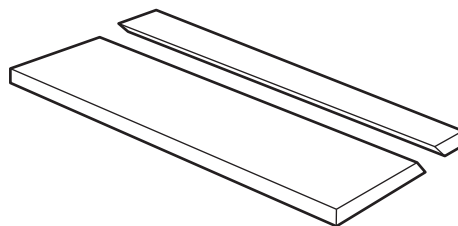
Rip Cut



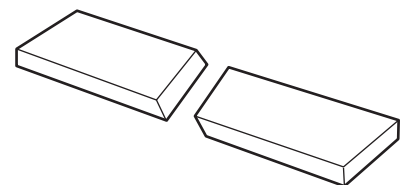
Mitered Crosscut



Beveled Cross Cut



Beveled Rip Cut



Compound Miter Cut

OPERATION (continued)

RIP CUTS

1. Remove miter gauge
2. Make sure bevel angle is set to 0° .
3. Set blade to correct height for workpiece.
4. Install rip fence and lock it down parallel with and at desired distance from blade.
5. Keep fingers at least 6 inches from the blade at all times. When the hand cannot be safely put between the blade and the rip fence, select a larger workpiece, or use a push stick and other cutting aids, as needed, to control the workpiece.
6. Make sure the workpiece is clear of the blade (at least 1 inch or 25mm away) before starting the saw
7. Turn saw on.
8. Hold the workpiece flat on the table and against the fence (A). The workpiece must have a straight edge against the fence and must not be warped, twisted or bowed. See proper hand position in Figure 21.
9. Let blade build up to full speed before moving workpiece into the blade.
10. Both hands can be used while starting the cut as long as hands remain 6 inches from the blade.
11. Keep the workpiece against the table and fence and slowly feed the workpiece rearward all the way through the saw blade. Do not overload the motor by forcing the workpiece into the blade.

12. Use the push stick and any other cutting aids, as needed, to hold the workpiece against the table and fence, and push the workpiece past the blade. A push stick is included with this saw, and instructions are included to make additional push sticks and other cutting aids.
13. Do not push or hold onto the free or cut-off side of the workpiece.
14. Continue pushing the workpiece until it is clear of the blade. Do not overload the motor by forcing the workpiece into the blade.
15. When cut is complete, turn saw off. Wait for blade to come to a complete stop before removing workpiece from table.

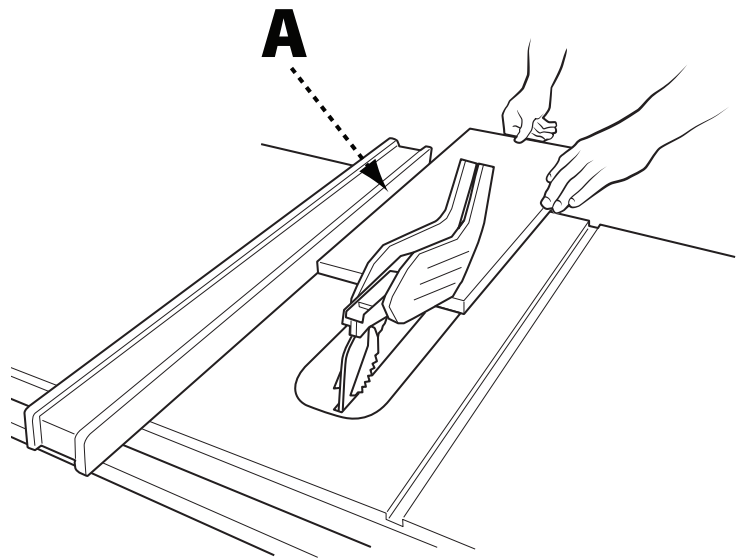


FIGURE 21

BEVEL RIPPING

Bevel ripping is the same as ripping except the bevel angle (A) is set to an angle other than 0° . When making a bevel rip cut, place the fence on the right side of the blade so that the blade is tilted away from the fence and hands.

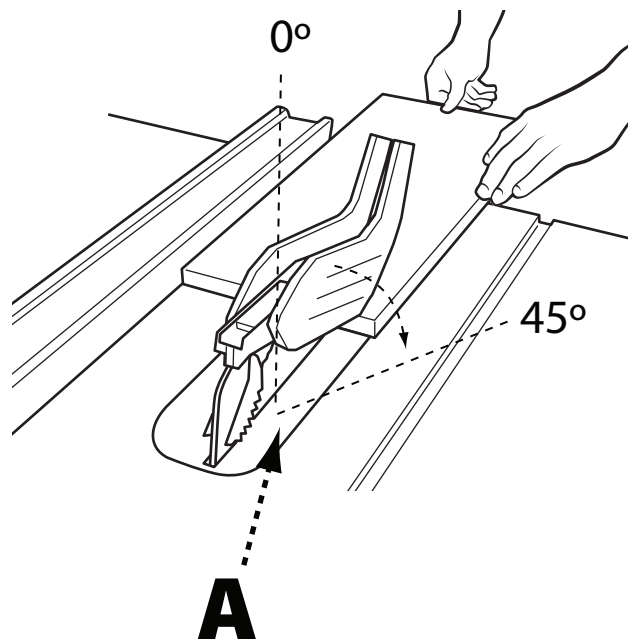


FIGURE 22

OPERATION (continued)

CROSSCUTTING

▲ WARNING:

- NEVER use the fence as a guide or length stop when crosscutting.
- The cut-off piece must never be confined in any through-sawing (cutting completely through the workpiece) operation—to prevent pinching blade which may result in a thrown workpiece and possibly injury.
- When using a block as a cut-off gauge, the block must be at least 3/4-inch (19mm) thick. It is very important that the rear end of the block be secured in a position where the workpiece is clear of the block before it enters the blade to prevent binding of the workpiece.

You can use the miter gauge in either table slot on non-bevel cuts. To increase surface area of miter gauge face, add an auxiliary face (See Cutting Aids section on page 26 of this manual.)

To make a crosscut, refer to Figure 23 and follow this process:

1. Remove rip fence.
2. Make sure bevel angle is set to 0°.
3. Set blade to correct height for workpiece.
4. Place miter gauge in either miter slot.
5. Set miter gauge to 0° and tighten miter gauge lock knob
6. Hands must remain at least 6 inches from blade throughout entire cut. If workpiece is too small to keep hands at least 6 inches away from the blade, select a larger workpiece, or attach an auxiliary face to the miter gauge and attach workpiece to auxiliary

face, For instructions about making auxiliary faces, see Cutting Aids section on page 26 of this manual.

7. Make sure the workpiece is clear of the blade - at least 1 inch or 25mm away - before starting the saw.
8. Turn saw on.
9. Let blade build up to full speed before moving workpiece into the blade.
10. Hand closest to blade should be placed on miter gauge lock knob and hand farthest from blade should hold workpiece firmly against the miter gauge face. Do not push or hold onto the free or cut-off side of the workpiece.
11. Slowly feed the workpiece rearward all the way through the saw blade. Do not overload the motor by forcing the workpiece into the blade.
12. When cut is complete, turn saw off. Wait for blade to come to a complete stop before removing cut off piece from table.

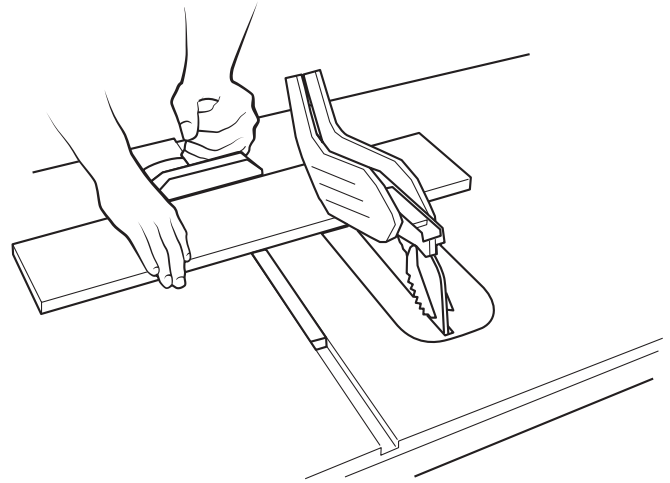


FIGURE 23

BEVEL CROSSCUTTING

Bevel crosscutting is the same as crosscutting except the bevel angle (A) is set to an angle other than 90°. When making a bevel crosscut, place the miter gauge in the right miter slot so that the blade is tilted away from the gauge and hands. See Figure 24.

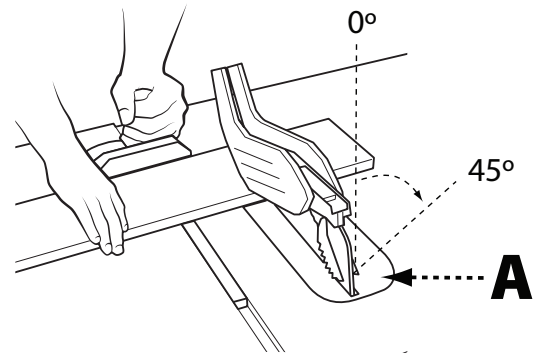


FIGURE 24

MITER CUTS

Miter cuts are cross cuts with the miter gauge set at an angle other than 90°. For instructions about setting miter gauge angles, see Preparing to Cut. To adjust the preset index miter stops, see Adjusting the Miter Stops on page 28 of this manual.

▲ WARNING:

- Miter angles less than 45° may force the blade guard assembly into the saw blade causing damage to the blade guard assembly and personal injury. Before starting the motor, test the operation by feeding the workpiece into the blade guard assembly. If the

blade guard assembly contacts the blade, place the workpiece under the blade guard assembly but not touching the blade - before starting the motor.

- Certain workpiece shapes, such as molding may not lift the blade guard properly. With the power off, feed the workpiece slowly into the blade guard area and until the workpiece touches the blade. If the blade guard assembly contacts the blade, place the workpiece under the blade guard assembly - but not touching the blade - before starting the motor.

COMPOUND MITER CUTS

This is a combination of bevel crosscutting and mitering. Refer to Figure 25 and follow the instructions for both bevel crosscutting and mitering. Remember to use the right miter slot for all bevel cuts.

LARGE PANEL CUTS

Place workpiece supports at the same height as the saw table behind saw to support the cut workpiece, and alongside (s) of saw, as needed. Depending on shape of panel, use rip fence or miter gauge to control workpiece. If a workpiece is too large to use either a rip fence or a miter gauge, it is too large for this saw.

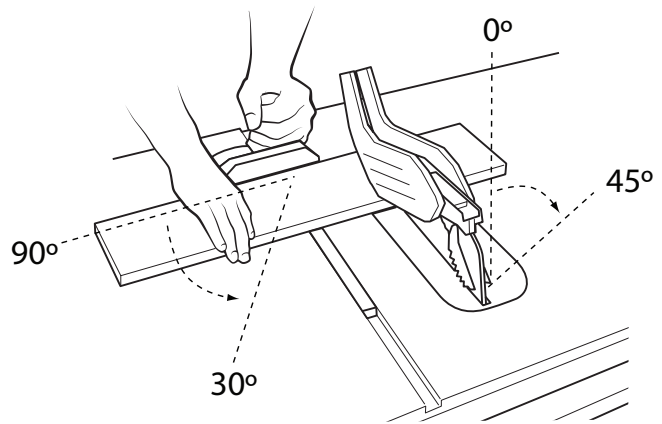


FIGURE 25

DADOS AND OTHER NON-THROUGH CUTS

The use of a non-through cut is essential to cutting grooves, rabbets and dados. Non-through cuts can be made using a standard blade having a diameter of 10 inches or less, or a dado blade up to 13/16 inch wide with a diameter of 8 inches or less. Non-through cuts are the only type of cuts that should be made without the blade guard assembly installed. Make sure the blade guard assembly is reinstalled upon completion of this type of cut.

⚠ WARNING:

- When making non-through cuts, follow all applicable warnings and instructions listed below in addition to those listed above for the relevant through cut.
- When making a non-through cut, blade is covered by workpiece during most of cut. Be alert to exposed blade at start and finish of every cut.
- Never feed wood with hands when making any non-through cuts such as rabbets or dados. Always use miter gauge, push blocks or push sticks, and featherboards where appropriate.
- Read the appropriate section which describes the type of cut in addition to this section on non-through or dado cuts. For example, if your non-through cut is a straight cross cut, read and understand the section on straight cross cuts before proceeding.
- Once all dado and non-through cuts are completed, unplug saw and reinstall riving knife or return it to raised position. Install anti-kickback pawls and blade guard.
- Carefully follow the instructions accompanying any specialized blades such as dado blades and molding cutters for proper installation, set up and operation.

MAKING A NON-THROUGH CUT

1. Unplug saw.
 2. Unlock release lever.
 3. Adjust bevel angle to 0°.
 4. Lock release lever.
 5. Remove blade guard and anti-kickback pawls.
 6. Place riving knife in "lowered" position. (see RIVING KNIFE POSITION Section on page 18)
 7. Set blade to correct depth for workpiece. See instructions below for use of Dados and other specialized blades.
 8. Depending on shape and size of wood, use either rip fence or miter gauge.
 9. Plug saw into power source and turn saw on.
 10. Let blade build up to full speed before moving workpiece into blade.
 11. Always use push blocks, push sticks, and/or featherboards when making non-through cuts to reduce the risk of serious injury.
 12. When cut is made, turn saw off. Wait for blade to come to a complete stop before removing workpiece.
- If a deep dado cut is required, use several successive passes rather than attempting to make it with one pass.

OPERATION (continued)

MAKING A DADO CUT

Dado blades are stacked blades that can be used when making non-through cuts including through cut slots. Dado blades require a special throat plate. Dado blades and throat plates are all sold separately.

⚠ WARNING:

- Carefully follow the instructions accompanying the dado blade for proper installation, set up and operation. Additional guides can be found in woodworking and carpentry websites and publications.
- Do not attempt to stack dado blades thicker than $1^{3}/_{16}$ inch (20.64mm) Do not use dado blades larger than 8-inches (200 mm) in diameter.
- The riving knife and blade guard assemblies cannot be used when dadoing. They must be removed as described in Riving Knife and Blade Guard Operations section. Use **EXTREME** care when using the dado without the blade guard assembly and riving knife.
- Use push sticks, hold-downs, jigs, fixtures or feather boards to help guide and control the workpiece when the guard cannot be used.
- Be sure to reinstall riving knife, anti-kickback pawls blade guard and standard throat plate, and check adjustments when the dado cuts are complete.

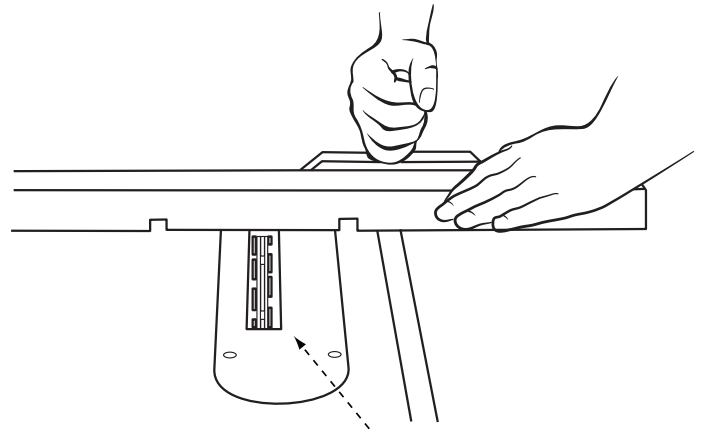


FIGURE 27

- The accessory dado head set throat plate, shown in Figure 27, must be used in place of the standard throat plate. Be sure the throat plate is level to the table before you proceed.
- Always check dado blade clearance with other components before plugging in the saw.
- Never attempt to use the dado head in a bevel position.

NOTE: The standard outer arbor flange cannot be used with certain dado blade combinations. In those cases, tighten the arbor nut directly against the dado blade set. Save the outer arbor flange for use with other blades and dado combinations.

CUTTING AIDS AND ACCESSORIES

PUSH STICK

In order to operate your table saw safely, you must use a push stick whenever the size or shape of the workpiece would otherwise cause your hands to be within 6-inches (152mm) of the saw blade or other cutter. A push stick is included with this saw.

No special wood is needed to make additional push-sticks as long as it is sturdy and long enough with no knots, checks or cracks. A length of approximately 16 inches (400mm) is recommended with a notch that fits against the edge of the workpiece to prevent slipping. It's a good idea to have several push sticks of the same minimum length, 16 inches (400mm), with different size notches for different workpiece thicknesses.

The shape can vary to suit your own needs as long as it performs its intended function of keeping your hands away from the blade. Angling the notch so the push stick can be held at a 20- to 30-degree angle from the saw's table will help you to hold down the workplace while also moving the saw.

To construct a push stick, refer to the layout shown in Figure 28.

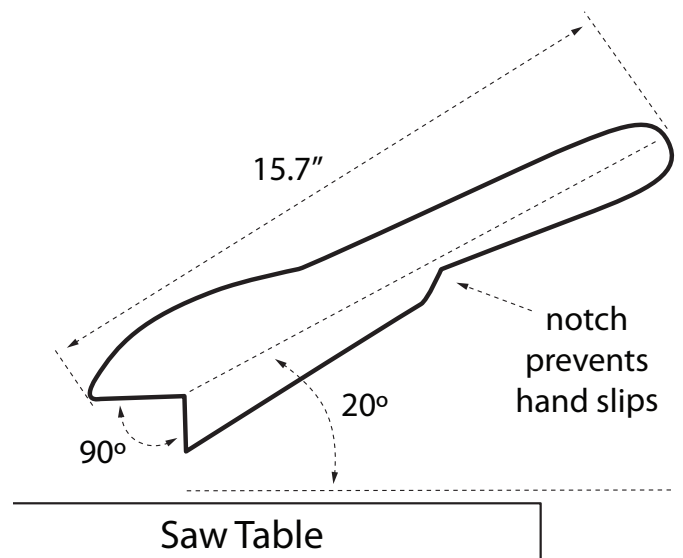


FIGURE 28

AUXILIARY RIP FENCE FACING

Use an auxiliary rip fence facing when needed for special cuts, such as ripping material that is thin enough to slide under the rip fence provided with your saw, or when a taller rip fence is necessary to complete your cut. To add an auxiliary wood facing to one or both sides of the rip fence, select a piece of wood with smooth surfaces. Attach the wood to the rip fence with two clamps. (see Figure 29) For most work, 3/4-inch (19mm) or 1-inch (25mm) stock is suitable.

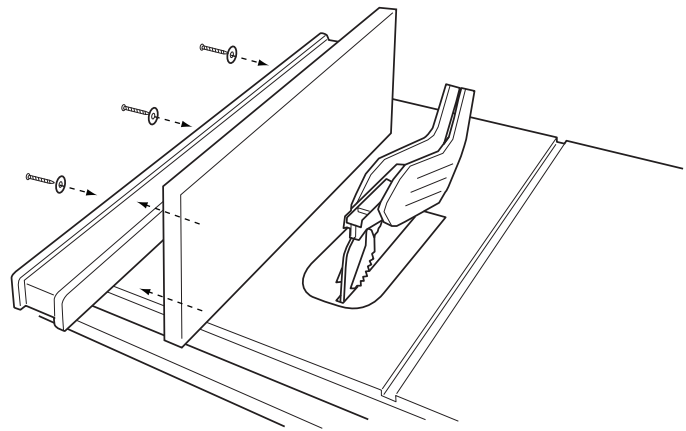


FIGURE 29

AUXILIARY MITER GAUGE FACING

An auxiliary miter gauge facing is used to increase the surface area of the miter gauge face.

If desired, you can fit the miter gauge with an auxiliary wood facing that should be at least 1-inch (25mm) higher than the maximum depth of cut, and at least as wide as the miter gauge.

This auxiliary wood facing can be fastened to the front of the miter gauge by using two wood screws through the holes (A) provided in the miter gauge body and into the wood facing. See Figure 30. Make sure the screws are long enough to secure the facing, but do not extend all the way through the wood.

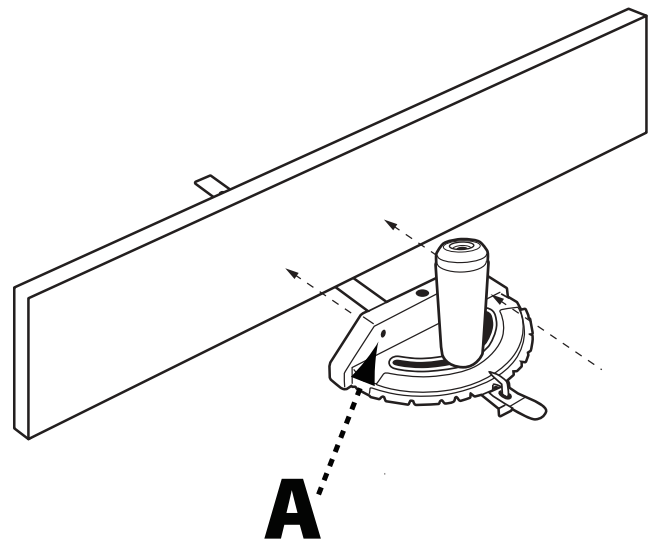


FIGURE 30

PUSH BLOCK

1. Select a piece of wood about 4-inches wide, 6-inches long and 1- to 2-inches thick (a cutoff from a 2 by 4 makes a good blank for a push block).
2. Drill a hole in the block and glue in a dowel to use as a handle (you can angle the hole to provide a more comfortable grip on the handle).
3. Glue a piece of rough or soft material such as sandpaper or rubber to the bottom of the block to grip the workpiece (old mouse pads work well). See Figure 31.

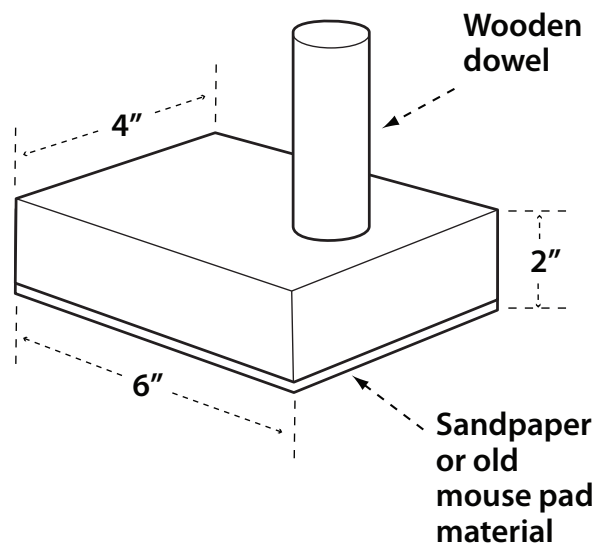


FIGURE 31

FEATHERBOARD

Featherboards are used to keep the work in contact with the fence and table (Figure 32), and help prevent kickback. Featherboards are especially useful when ripping small workpieces and for completing non-through cuts. The end is angled with a series of narrow slots to give a friction hold on the workpiece. It is locked in place on the table or fence with a c-clamp.

⚠ WARNING: To avoid binding between the workpiece and the blade, make sure a horizontal feather board presses only on the uncut portion of the workpiece in front of the blade.

Dimensions for making a typical featherboard are shown in Figure 32. Make your featherboard from a straight piece of wood that is free of knots and cracks. Clamp featherboards to the fence and/or table so that the featherboard will hold the workpiece against the fence or table.

1. Select a solid piece of lumber approximately 3/4-inch thick, 2 1/2-inches wide and 12-inches long.
2. Mark the center width on one end of stock. Miter width to 70° (see miter cut section for information on miter cuts).
3. Set rip fence to allow approximately a 1/4-inch "finger" to be cut in the stock.
4. Feed stock only to mark previously made at 6 inches.
5. Turn saw off and allow blade to completely stop rotating before removing stock.
6. Reset rip fence and cut spaced rips into workpiece to allow approximately 1/4-inch fingers and 1/8-inch spaces between fingers.

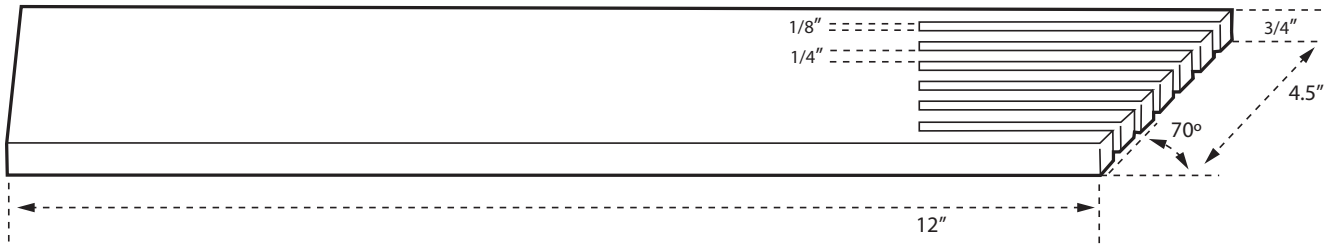


FIGURE 32

CUT OFF GAUGE

When crosscutting a number of pieces to the same length, you can clamp a block of wood (A) (See Figure 33) to the fence and use it as a cut-off gauge. The block (A) must be at least 3/4-inch (19 mm) thick to prevent the cut off piece from binding between the blade and the fence. Once the cut-off length is determined, lock the fence and use the miter gauge to feed the workpiece into the blade.

⚠ WARNING: Always position the cut-off gauge in front of the saw blade.

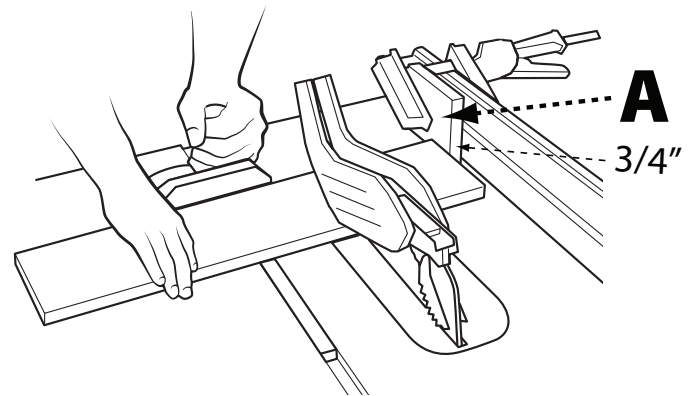


FIGURE 33

JIGS

Jigs may be created with a variety of special set-ups to control particular workpiece shapes for particular cuts. Guidance on how to make specialized jigs can be found in woodworking and carpentry websites and publications.

⚠ WARNING: Do not attempt to create or use a jig unless you are thoroughly familiar with table saw safety. Do not use any jig that could result in pinching a kerf or jamming the workpiece between the jig and the blade. Incorrect setups may cause kickback which could result in serious injury.

ALIGNMENT

RIVING KNIFE ALIGNMENT WITH THE BLADE

Alignment between the riving knife and blade is set at the factory and, in most cases, will not need to be adjusted. However, the alignment should always be checked after installing blade or riving knife, and can be adjusted if necessary. If riving knife is out of alignment with blade, adjustment is needed. Riving knife must be in alignment front to back (horizontally) and top to bottom (vertically).

To adjust the riving alignment, see Figure 34 and proceed as follows:

1. Remove the throat plate, blade guard and anti-kickback assemblies.
2. Raise the blade to full depth of cut and set the tilt angle to 0°.
3. Raise the riving knife to the through-cutting or highest position.
4. Slightly loosen the two socket head cap screws (C).
5. Lay straight edge against the blade face and riving knife as instructed for checking horizontal alignment (see Figure 17a, page 18).
6. Adjust the set screws (A) to move the riving knife in line with the blade according to its position when you checked the alignment above.
7. Lay the straight edge on the opposite side of the blade. Both sides of the riving knife should be within the thickness of the blade body.
8. If it is not possible to align both sides of riving knife within the thickness of the blade body, you need to use a different size blade. See Blade Selection on page 17.
9. Tighten the two socket head cap screws.
10. Place a carpenter's square on the table, and against the blade face and riving knife as instructed for checking vertical alignment (See Figure 17b, page

18). Then verify that the riving knife is perpendicular to table and in-line with the blade face.

11. If needed, use the set screws (D) to align the riving knife with blade face and the square.

12. Fully tighten the two socket head cap screws.

13. Replace throat plate, blade guard and anti-kickback assemblies before use.

⚠ WARNING: If any dragging or binding of the workpiece is encountered as it reaches the riving knife, turn unit off and disconnect machine from power source and readjust the riving knife/blade alignment or replace the blade. Never attempt to back partially-cut workpiece out of blade while blade is moving.

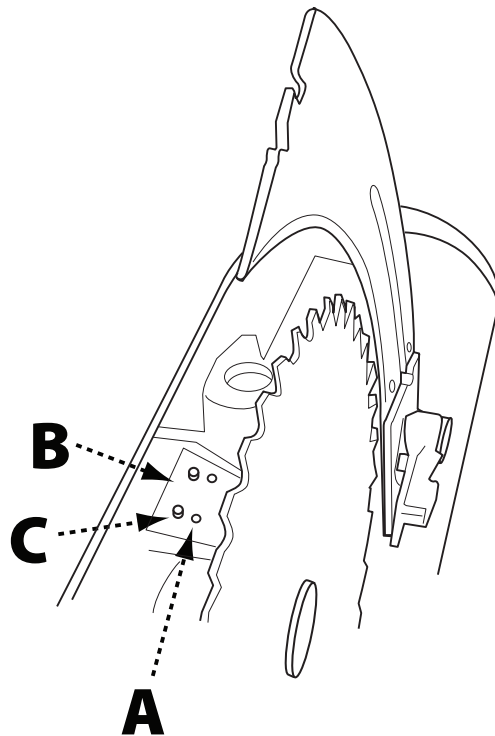


FIGURE 34

ADJUSTING THE MITER STOPS

To adjust the index stops for angles other than 90°, 75°, 60°, 45° and 30°:

1. Loosen the miter gauge handle.
2. Loosen the 2 screws for the miter stop segment for the desired new angle. (A) is shown in Figure 35.
3. Move the stop to proper position.
4. Re-tighten the 2 segment screws and handle.

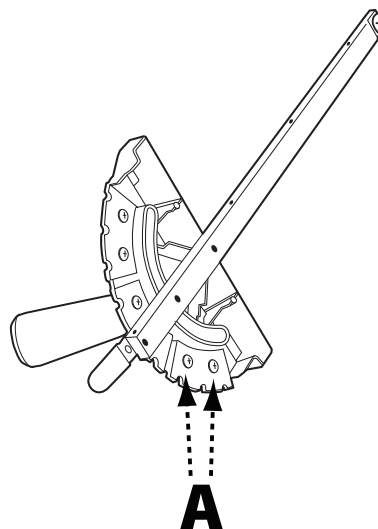


FIGURE 35

ALIGNING FENCE PARALLEL TO MITER SLOT

1. Move fence adjacent to right miter gauge and secure to the guide tube by lowering the fence clamping lever.
2. If the fence face (A) figure 36, is not parallel to the miter slot (B), raise the clamping lever and lift the fence and place it on the saw table.
3. Adjust the one or both of the set screws (C) 1/4 turn or less.
4. Replace fence on guide tube and repeat steps 1 through 3. If fence is closer to parallel, turn the set screw in the same direction but a little less. If the fence is further out of parallel, turn the set screw in the opposite direction.
5. Repeat steps 1 through 3.

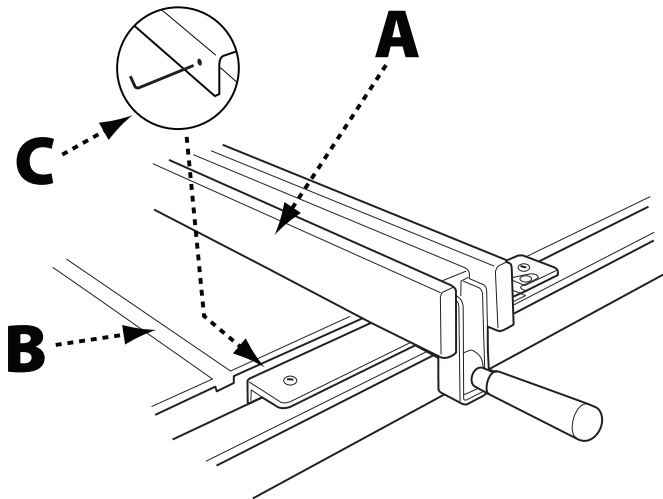


FIGURE 36

ALIGNING FENCE PERPENDICULAR TO THE TABLE

1. Move fence over the cast iron table and secure to the guide tube by lowering the fence clamping lever.
2. Use a square to check that the fence face is perpendicular to the table.
3. If the fence face is not perpendicular to the table, release the clamping lever and slightly adjust one of the slotted set screws (A) figure 37 until the fence face is perpendicular to the table.
4. Secure the fence to the guide tube to insure the fence remains perpendicular. If not, repeat steps 1 through 4.

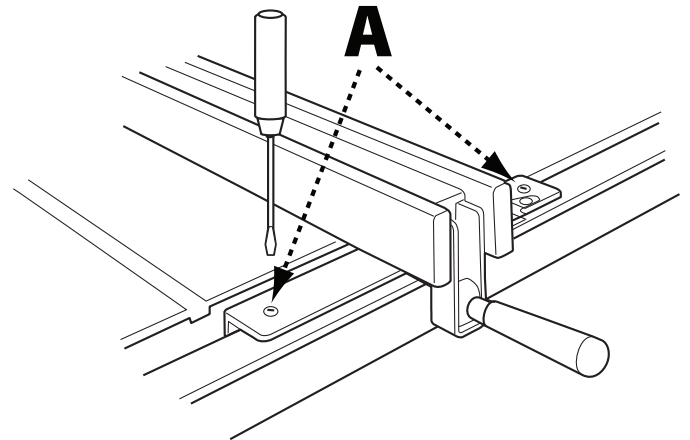


FIGURE 37

240 VOLT SINGLE PHASE OPERATION

The 120/240 volt, dual-voltage motor supplied with your machine was shipped prepared for 120 volt operation. It can be converted for 240 volt operation. For conversion from 120 volt to 240 volt, please call ahead to DELTA Customer Care at 1-800-223-7278.

Use the following instructions to convert your saw to 240 volts

⚠ WARNING: To reduce the risk of injury, turn the machine off and disconnect machine from power source before installing and removing accessories, before adjusting or changing set-ups or when making repairs. An accidental start-up can cause injury.

1. Remove 4 screws (A) Fig 38 and remove rear panel (B).
2. Remove 2 screws (C) and remove plastic cover (D).
3. Slide switch (E) from 120v to 240v position.
4. Replace cover (D) and 2 screws (C).
5. Replace rear cover B and 4 screws (A).
6. The 120 volt power cord plug must also be replaced with a UL/CSA listed plug suitable for 240 Volts 15 AMPS.

Either use a qualified electrician to do the conversion or take the machine to an Authorized Service Center. The machine must conform to the National Electric Code and all local codes and ordinances.

Use the 240 volt plug ONLY in an outlet that has the same configuration as the plug illustrated on page 8, Fig. C. **DO NOT** use an adapter with the 240 volt plug.

⚠ WARNING: In all cases, make certain that the receptacle in question is properly grounded. If you are not sure, have a qualified electrician check the receptacle.

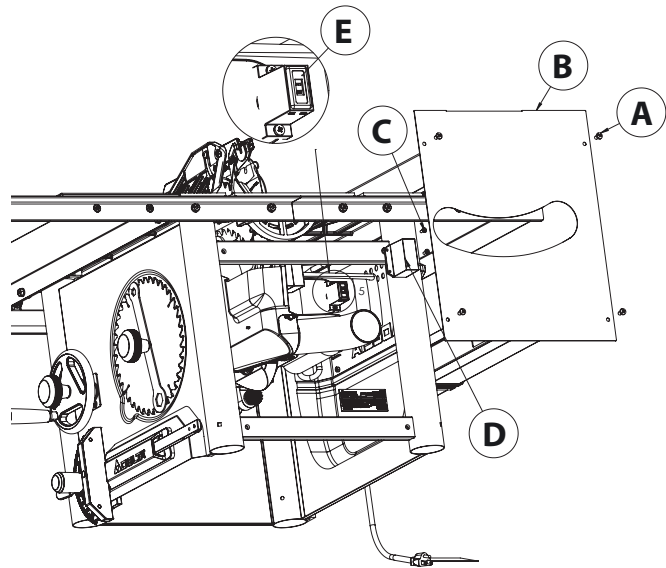


FIGURE 38

MAINTENANCE

To reduce the risk of injury, turn unit off and disconnect it from power source before cleaning or servicing, before installing and removing accessories, before adjusting and when making repairs. An accidental start-up can cause injury.

KEEP MACHINE CLEAN

Periodically blow out all air passages with dry compressed air. All plastic parts should be cleaned with a soft damp cloth. NEVER use solvents to clean plastic parts. They could possibly dissolve or otherwise

damage the material.

Wear certified safety equipment for eye, hearing and respiratory protection while using compressed air.

LUBRICATION & RUST PROTECTION

Apply hardwood flooring paste wax to the machine table occasionally or use a commercially available protective product designed for this purpose. Follow the manufacturer's instructions for use and safety.

To clean cast iron tables of rust, you will need the following materials: a medium sized scouring pad, a can of spray lubricant and a can of degreaser. Apply the spray lubricant and polish the table surface with the scouring pad. Degrease the table, then apply the protective product as described above.

MAINTENANCE REMINDERS

Wear certified safety equipment for eye, hearing and respiratory protection while using compressed air.

Specific areas which require regular maintenance include:

RIVING KNIFE CLAMP PLATE: Keep this area free of dust and debris buildup. Blow out area regularly with compressed air.

NOTE: If the riving knife clamp can't move freely, have the saw serviced by authorized DELTA® Power Equipment Corporation service center personnel.

WORM GEARS: Keep the worm gears free of dust and debris buildup. Blow out area regularly with compressed air. Use a lithium-based multipurpose grease as needed on these gears.

CLEAN SAWDUST BUILDUP OUT OF CABINET PERIODICALLY: NOTE: Debris can also be removed from the saw from below the throat plate, inside the dust port.

TROUBLESHOOTING

For assistance with your machine, visit our website at www.DeltaMachinery.com for a list of service centers or call DELTA® Power Equipment Customer Care at 1-800-223-7278.

FAILURE TO START

If your machine fails to start, check to make sure the prongs on the cord plug are making good contact in the receptacle, and check reset button on power switch housing. Also, check for blown fuses or open circuit breakers in your power line.

ACCESSORIES

A complete line of accessories is available from your DELTA® Supplier, DELTA® Factory Service Centers, and DELTA® Authorized Service Centers. Please visit our Web Site www.DeltaMachinery.com for an online catalog or for the name or your nearest supplier.

⚠ WARNING: Since accessories other than those offered by DELTA® have not been tested with this product, use of such accessories could be hazardous. For safest operation, only DELTA® recommended accessories should be used with this product.

WARRANTY

To register your tool for warranty service visit our website at www.DeltaMachinery.com.

FIVE YEAR LIMITED WARRANTY

Delta® Power Equipment Corporation

1. **WHAT IS COVERED.** Delta Power Equipment Corporation ("Company") will repair or replace, at its option, any new or factory refurbished DELTA® machine or service part which is purchased at retail in the United States or Canada and which in normal use has proven to be defective in workmanship or material, subject to the conditions stated in this Limited Warranty. This Limited Warranty covers only materials and labor. All transportation costs are Customer's responsibility.

2. **WARRANTY PERIOD.** All warranty claims must be submitted within five years from the date of retail purchase. For all service parts and factory refurbished DELTA® machines, the warranty period is 180 days.

3. **HOW TO OBTAIN SERVICE.** To obtain warranty service, you must return the defective product, at your expense, to a service center authorized by Company to perform warranty service (a "DELTA® Authorized Service Center") within the applicable warranty period, together with acceptable proof of purchase, such as your original receipt bearing the date of purchase, or product registration number. Company reserves the right to restrict warranty claim service to the country where the purchase was made and/or to charge for the cost to export service parts or provide warranty service in a different country. On-line purchases are deemed made in the United States. For the location of your nearest DELTA® Authorized Service Center, call Company's Customer Care Center at (800) 223-7278.

4. EXCLUSIONS.

- Company does not offer any warranty on products purchased in used or damaged condition.
- Company does not warranty any products purchased outside the United States or Canada
- Company will not be responsible for any damage that has resulted from normal wear, misuse, abuse or any repair or alteration made by anyone other than a DELTA® Authorized Service Center or a designated representative of Company's Customer Care Center.
- All IMPLIED WARRANTIES are expressly limited to the warranty period identified above.
- Under no circumstances will Company be liable for INCIDENTAL OR CONSEQUENTIAL damages.
- This limited warranty is Company's sole warranty and sets forth the customer's exclusive remedy with respect to defective products; all other warranties, express or implied, whether of merchantability, fitness for purpose, or otherwise, are expressly disclaimed by Company, except as stated above.

Some states do not allow the exclusion or limitation of incidental or consequential damages, or the limitation of implied warranties, so the above limitations or exclusions may not apply to you. This warranty gives you specific legal rights and you may have other rights which vary in certain states or provinces. For further details of warranty coverage and warranty repair information, call (800) 223-7278. To register your products online, we encourage you to visit our website and register for a FREE DELTA Member Account at <http://www.deltamachinery.com/register>.

LATIN AMERICA: This warranty does not apply to products sold in Latin America. For products sold in Latin America, see country specific warranty information contained in the packaging, call the local company or see website for warranty information.



PARTS, SERVICE AND WARRANTY ASSISTANCE

All DELTA® machines and accessories are manufactured to high quality standards and are serviced by a network of DELTA® Authorized Service Centers. To obtain additional information regarding your DELTA® quality product or to obtain parts, service, warranty assistance, or the location of the nearest service center, please call 1-800-223-7278.

REPLACEMENT PARTS

Use only identical replacement parts. For a parts list or to order parts, visit our website at www.DeltaMachineryParts.com. You can also order parts from your Authorized Warranty Service Center or by calling Technical Service Manager at 1-800-223-7278 to receive personalized support from one of our high-trained representatives.

FREE WARNING LABEL REPLACEMENT

If your warning labels become illegible or are missing, call 1-800-223-7278 for a free replacement.

DESCRIPTION FONCTIONNELLE

La Scie de table de 10 pouces (254 mm) pour entrepreneurs de Delta (N° 36-725) se distingue par sa portabilité et sa haute performance. Elle comprend : machine de base, support en acier tubulaire robuste, goulotte à poussière intégré, système de guidage T-Square®, guide à onglets pour fente en T, moteur à induction de 13 ampères, interrupteur marche/arrêt, table en fonte, ailes d'extension, protège-lame transparent avec doigts anti-retour et lame carbure de 10 pouces (254 mm).

CARACTÉRISTIQUES

Profondeur de coupe maximale à 90 degrés :	3-1/2"
Profondeur de coupe maximale à 45 degrés :	2-1/2"
Coupe maximale à droite de la lame :	30"
Coupe maximale à gauche de la lame :	15"
Largeur de fente maximale :	13/16"
SPÉCIFICATIONS DU MOTEUR :	
Ampérage	13/6.5
Voltage	120/240

AVIS : la couverture du manuel illustre le modèle de production actuel. Toutes les autres illustrations du manuel sont uniquement à titre de représentation et peuvent ne pas illustrer fidèlement l'étiquetage ou les accessoires réellement inclus. Elles sont uniquement destinées à des fins d'illustration.

CONSIGNES DE SÉCURITÉ IMPORTANTES

▲ AVERTISSEMENT : LISEZ ATTENTIVEMENT ET SUIVEZ TOUS LES AVERTISSEMENTS ET LES INSTRUCTIONS SUR VOTRE PRODUIT ET DANS LE PRÉSENT MANUEL. CONSERVEZ CE MANUEL. ASSUREZ-VOUS QUE TOUS LES OPÉRATEURS SONT FAMILIARISÉS AVEC LES AVERTISSEMENTS ET LES INSTRUCTIONS LORS DE L'UTILISATION DE L'OUTIL. Tout fonctionnement, tout entretien ou toute modification inappropriés des outils ou de l'équipement pourraient entraîner des blessures graves et/ou des dommages matériels.

Si vous avez des questions ou des préoccupations relatives à l'utilisation de votre outil ou au contenu du présent manuel, arrêtez d'utiliser l'outil et contactez le Service à la clientèle de DELTA® Power Equipment Corporation au 1-800-223-7278.

LOGOS DE SÉCURITÉ

Les définitions ci-dessous décrivent le niveau de sévérité associé à chaque terme d'avertissement. Veuillez lire le manuel et faire attention à ces symboles.

▲ DANGER : Indique une situation imminente extrêmement dangereuse qui, si elle n'est pas évitée, entraînera la mort ou une blessure grave.

▲ AVERTISSEMENT : Indique une situation potentiellement dangereuse qui, si elle n'est pas évitée, pourrait entraîner la mort ou une blessure grave.

▲ ATTENTION : Indique une situation potentiellement dangereuse qui, si elle n'est pas évitée, peut entraîner une blessure mineure ou modérée.

RÈGLES DE SÉCURITÉ GÉNÉRALES DES OUTILS ÉLECTRIQUES

▲ AVERTISSEMENT : Le non-respect de ces règles peut provoquer des blessures graves.

1. **LIRE LE MANUEL D'INSTRUCTIONS ET FAIRE CONNAISSANCE AVEC L'OUTIL.** Lisez et familiarisez-vous avec le manuel d'instructions dans son intégralité. Apprenez la bonne utilisation et les limites de l'outil, ainsi que les dangers connexes, pour minimiser le risque d'accidents et de blessures. Assurez-vous que tous les opérateurs sont familiarisés avec les avertissements et les instructions avant d'utiliser l'outil.

2. **GARDER LES DISPOSITIFS DE PROTECTION ET DE SÉCURITÉ EN PLACE** et en bon état de fonctionnement.

3. **RETIRER LES CLÉS D'AJUSTEMENT ET LES CLÉS À MOLETTE.** Habituez-vous à vérifier que les clés d'ajustement et les clés à molette ont été retirées de l'outil avant de le mettre en marche.

4. **MAINTENIR L'ESPACE DE TRAVAIL PROPRE ET BIEN ÉCLAIRÉ.** Les espaces, surfaces et bancs de travail en désordre ou mal éclairés peuvent conduire à des accidents.

RÈGLES DE SÉCURITÉ GÉNÉRALES DES OUTILS ÉLECTRIQUES

5. **NE PAS UTILISER OU ENTREPOSER L'OUTIL DANS DES ENVIRONNEMENTS DANGEREUX.** L'exposition à la pluie et aux endroits humides ou mouillés peuvent entraîner un choc électrique ou une électrocution ou endommager l'outil. **Ne pas faire fonctionner les outils électriques à proximité de liquides inflammables ou dans des atmosphères explosives ou gazeuses.** Les moteurs et les interrupteurs de ces outils peuvent provoquer des étincelles et enflammer les vapeurs.
6. **GARDER LES ENFANTS ET LES SPECTATEURS À DISTANCE** de la zone de travail.
7. **BLOQUER LES OUTILS ET L'ESPACE DE TRAVAIL.** Utilisez des cadenas, des interrupteurs principaux, ou enlevez et rangez les clés de démarrage pour empêcher l'utilisation par des enfants et des opérateurs non autorisés.
8. **NE PAS FORCER L'OUTIL OU LA PIÈCE.** Faites fonctionner l'outil à la vitesse et l'alimentation prévue pour un fonctionnement à la fois meilleur et plus sûr.
9. **UTILISER L'OUTIL APPROPRIÉ.** **Ne forcez pas** l'outil à effectuer une tâche pour laquelle il n'a pas été conçu.
10. **NE PAS MALMENER LES CORDONS D'ALIMENTATION.** **NE** tirez jamais sur le cordon pour le débrancher, ne l'écrasez pas, ne l'exposez pas à la chaleur, à l'huile ou aux objets pointus.
11. **UTILISER LA RALLONGE APPROPRIÉE.** Lorsque vous utilisez une rallonge, assurez-vous d'utiliser une rallonge en bon état et suffisamment épaisse pour transporter le courant requis par votre outil. Une rallonge d'un calibre trop petit provoquera une chute de tension, entraînant une perte de puissance et une surchauffe. Voir le Tableau des rallonges pour le calibre approprié en fonction de la longueur du cordon et de l'ampérage de la plaque signalétique. En cas de doute, utiliser le calibre immédiatement inférieur. Plus le numéro de calibre est petit, plus le cordon est épais. Lorsque vous travaillez à l'extérieur, utilisez uniquement des rallonges conçues pour une utilisation à l'extérieur. Consultez la section Raccordements électriques du présent manuel pour le Tableau des rallonges et la sécurité des raccordements électriques.
12. **FIXER LA PIÈCE.** Utilisez des serre-joints ou un étau pour tenir la pièce en place, le cas échéant. Cela sera plus sûr que d'utiliser vos mains qui seront ainsi libérées pour le travail.
13. **NE PAS TENDRE LE BRAS.** Gardez un bon positionnement de vos pieds et un bon équilibre à tout moment pour maintenir un contrôle adéquat.
14. **ENTRETENIR LES OUTILS AVEC SOIN.** Gardez les outils affûtés et propres pour une utilisation efficace et sécuritaire. Suivez les indications relatives à la lubrification et au changement d'accessoires.
15. **DÉBRANCHER L'OUTIL** de la source d'alimentation avant l'entretien, le réglage ou la modification de l'installation ou des lames, mèches, couteaux et autres accessoires.
16. **POUR RÉDUIRE LE RISQUE DE MISE EN MARCHÉ ACCIDENTELLE,** assurez-vous que les interrupteurs sont en position « OFF » (arrêt) avant de brancher l'outil.
17. **Ne touchez pas aux broches métalliques de la fiche** au moment de brancher ou de débrancher le cordon.
18. **UTILISER LES ACCESSOIRES RECOMMANDÉS.** Consultez le manuel pour les accessoires recommandés. L'utilisation d'accessoires inappropriés peut entraîner des blessures ou des dommages matériels.
19. **NE JAMAIS SE TENIR DEBOUT SUR L'OUTIL.** Des blessures graves peuvent se produire en cas de basculement de l'outil ou en cas de contact accidentel avec la surface de coupe.
20. **CONTRÔLER L'OUTIL POUR D'ÉVENTUELS DOMMAGES.** Avant toute utilisation, et après que l'outil ou l'accessoire soit tombé ou ait été endommagé, inspectez attentivement les protections ou autres pièces concernées pour vérifier l'alignement, le blocage ou la cassure des pièces mobiles et toute autre condition qui pourrait en modifier le fonctionnement pour s'assurer que l'outil et ses pièces pourront fonctionner correctement et effectuer le travail pour lequel ils sont conçus. **N'utilisez pas** un produit endommagé. Une protection ou une autre pièce endommagée doit être correctement réparée ou remplacée par des pièces de rechange autorisées par le fabricant.
21. **UTILISER LA BONNE DIRECTION D'ENGAGEMENT.** Engagez la pièce dans le sens contraire de la rotation de la lame, du couteau ou de la surface abrasive. L'engager dans l'autre sens risque de projeter la pièce en l'air à grande vitesse.
22. **NE JAMAIS LAISSER L'OUTIL EN MARCHÉ SANS SURVEILLANCE. COUPER LE COURANT.** Ne laissez pas l'outil tant qu'il ne s'est pas entièrement arrêté. En cas de panne de courant, placez l'interrupteur en position « OFF ».
23. **RESTER VIGILANT, SURVEILLER SES GESTES ET FAIRE PREUVE DE BON SENS LORS DE L'UTILISATION D'UN APPAREIL ÉLECTRIQUE.** N'utilisez pas d'outils électriques quand vous êtes fatigué ou sous l'influence de drogues, d'alcool ou de médicaments. Un moment d'inattention pendant l'utilisation d'un outil électrique peut entraîner des blessures graves.
24. **PIÈCES DE RECHANGE.** Utilisez uniquement des pièces de rechange identiques lors de l'entretien de votre outil.
25. **PORTER DES VÊTEMENTS APPROPRIÉS.** Évitez de porter des vêtements amples, des gants, des cravates, des bagues, des bracelets ou tout autre bijou, car ils peuvent se coincer dans les pièces mobiles. Le port de chaussures de protection à semelles antidérapantes est recommandé. Portez un chapeau de protection pour contenir les cheveux longs.

RÈGLES DE SÉCURITÉ GÉNÉRALES DES OUTILS ÉLECTRIQUES

26. PORTER DES LUNETTES DE PROTECTION.

Toutes les personnes dans la zone de travail doivent porter des lunettes de sécurité avec écrans latéraux. Les lunettes de vue ordinaires avec des verres résistants aux chocs ne sont pas des lunettes de sécurité. L'équipement de protection oculaire doit être conforme aux normes ANSI Z87.1.

27. PROTECTION DE L'OUÏE.

Toutes les personnes dans la zone de travail doivent porter une protection auditive appropriée compatible avec les niveaux de bruit et d'exposition. L'équipement de protection auditive doit être conforme aux normes ANSI S3.19.

28. PROTECTION CONTRE LA POUSSIÈRE.

L'utilisation d'outils électriques peut générer et/ou disperser la poussière, ce qui peut provoquer

des lésions graves et permanentes des voies respiratoires ou d'autres blessures, y compris la silicose (une pathologie pulmonaire grave), le cancer et la mort. Diriger les particules à distance du visage et du corps. Toujours utiliser l'outil dans un endroit bien aéré et prévoir un moyen d'évacuation approprié de la poussière. Utilisez un dispositif de dépoussiérage, le cas échéant. Évitez de respirer la poussière et évitez le contact prolongé avec la poussière. Laisser la poussière pénétrer dans la bouche ou les yeux ou se déposer sur la peau peut favoriser l'absorption d'une matière nocive. Utilisez un dispositif de protection respiratoire approprié homologué par le NIOSH/l'OSHA pour l'exposition à la poussière et laver les régions exposées à l'eau et au savon.

AVERTISSEMENT RELATIF À LA PROPOSITION 65 :

Les poussières créées par le ponçage électrique, la coupe, le broyage, le perçage et d'autres activités de construction contiennent des produits chimiques identifiés par l'État de Californie comme facteurs de cancer, d'anomalies congénitales ou d'autres préjudices relatifs à la reproduction. Voici quelques exemples :

- Le plomb des peintures à base de plomb
- La silice cristalline des briques et du ciment et autres matériaux de maçonnerie
- La poussière d'amiante
- L'arsenic et le chrome du bois d'œuvre traité chimiquement

Votre risque en cas d'exposition à ces substances varie selon la fréquence à laquelle vous effectuez ce genre d'activité. Pour réduire votre exposition à ces produits chimiques, travaillez dans un endroit bien ventilé et avec de l'équipement de protection approuvé, comme des masques antipoussières spécialement conçus pour filtrer les particules microscopiques.

CONSERVEZ CES INSTRUCTIONS.

Consultez-les souvent et utilisez-les pour instruire les autres.

Si vous prêtez cet outil à quelqu'un, prêtez-lui aussi ces instructions.

RÈGLES DE SÉCURITÉ DE LA SCIE DE TABLE

⚠ AVERTISSEMENT : Le non-respect de ces règles peut provoquer des blessures graves.

- **VOIR LA SECTION RÈGLES DE SÉCURITÉ GÉNÉRALES DES OUTILS ÉLECTRIQUES DU PRÉSENT MANUEL.** Lisez le manuel d'instructions en intégralité avant d'utiliser la scie. Apprendre la bonne utilisation et les limites de la scie, ainsi que les dangers potentiels connexes, pour minimiser le risque d'accidents et de blessures. Assurez-vous que tous les opérateurs soient familiarisés avec les avertissements et les instructions avant d'utiliser la scie.
- **VOIR LA SECTION BRANCHEMENTS ÉLECTRIQUES DU PRÉSENT MANUEL** pour les instructions et les avertissements relatifs aux cordons d'alimentation et aux branchements électriques.

TERMINOLOGIE

Les termes suivants seront utilisés dans le manuel et vous devez les connaître.

- « Coupe transversale » désigne toute coupe qui traverse complètement la pièce.
- « Coupe non-transversale » désigne toute coupe qui ne traverse pas complètement la pièce.
- « Poussoir » désigne un bâton en bois ou en plastique, généralement fait maison, qui est utilisé pour pousser une petite pièce à travers la scie et ainsi maintenir les mains de l'opérateur à distance de la lame.
- Le « rebond » se produit lorsque la lame de scie se coince dans la coupe ou entre la lame et le guide et projette la pièce en arrière vers l'opérateur.
- « Main levée » désigne la coupe effectuée sans guide à onglets ou guide longitudinal ou sans aucun moyen de guidage ou de maintien de la pièce autre que la main de l'opérateur.
- « Coupe en plongée » désigne des coupes aveugles dans la pièce effectuées soit en élevant la lame à travers la pièce, soit en abaissant la pièce vers la lame.
- « Recoupe » désigne le fait de retourner la pièce pour faire une coupe que la scie n'est pas capable d'effectuer en un seul passage.
- « Coupe courbée », également appelée coupe corniche, est une opération où la pièce est passée en position inclinée à travers la lame.

⚠ AVERTISSEMENT : Le non-respect de ces règles peut provoquer des blessures graves.

1. N'effectuez **JAMAIS** de coupe à main levée, de coupe en plongée, de recoupe ou de coupe courbée.
2. **PORTEZ DES LUNETTES DE PROTECTION**, des vêtements appropriés, une protection auditive et une protection contre la poussière comme spécifié dans la section Règles de sécurité générales des outils électriques du présent manuel.
3. **UTILISER LE PROTÈGE-LAME DE LA SCIE, LE COUTEAU DIVISEUR ET LES DOIGTS ANTI-RETOUR.** Votre scie est équipée d'un protège-lame modulaire, d'un couteau diviseur et d'un ensemble de doigts anti-retour, dont chaque composant doit être utilisé dans toutes les opérations possibles, y compris les coupes transversales. Cet ensemble est examiné plus en détail ci-dessous. Assurez-vous que les composants sont correctement installés avant l'utilisation.
4. **GARDER LES MAINS ET LES AUTRES PARTIES DU CORPS HORS DE LA TRAJECTOIRE DE LA LAME.** NE mettez jamais une partie de votre corps dans la trajectoire de la lame de scie.
5. **UTILISER UN POUSSOIR** approprié à l'opération en cours pour pousser et maintenir une pièce jusqu'à ce que la coupe soit terminée. Un poussoir est un bâton en bois ou en plastique, généralement fait maison, qui doit être utilisé chaque fois que la taille ou la forme de la pièce vous amènerait à placer vos mains à moins de 6 po (152 mm) de la lame. Les instructions pour fabriquer un poussoir sont incluses dans ce manuel.
6. **ÉVITER LE REBOND.** Portez une attention particulière aux instructions (ci-dessous) pour réduire le risque de rebond.
7. **PAS DE COUPES À MAIN LEVÉE.** Utilisez un guide longitudinal, un guide à onglets ou d'autres dispositifs appropriés pour guider ou maintenir la pièce. Utilisez des serre-tôles, des gabarits, des accessoires ou des planches à languettes pour aider à guider et contrôler la pièce. Les accessoires à utiliser avec votre scie sont disponibles auprès de votre revendeur local ou un centre de service agréé, moyennant un coût supplémentaire.
8. **NE PAS UTILISER LE GUIDE LONGITUDINAL ET LE GUIDE À ONGLETS EN MÊME TEMPS.**
9. **NE PAS TENDRE LE BRAS PAR-DESSUS / AUTOUR DE LA SCIE.** Ne tendez pas le bras par dessus, derrière ou autour de l'outil de coupe pendant que la lame est en mouvement.
10. **STABILITÉ.** Assurez-vous que la scie de table est correctement assemblée et placée sur une surface stable avant de l'utiliser afin qu'elle ne se déplace pas pendant la coupe.
11. **ASSEMBLAGE CORRECT.** N'utilisez pas cette scie avant qu'elle soit entièrement assemblée et installée conformément aux instructions.
12. **VÉRIFIER LA PIÈCE ET L'INSTALLATION** avant chaque opération. La présence de nœuds, irrégularités ou clous dans la pièce, les erreurs de positionnement ou une installation incomplète peuvent gêner ou affecter les performances de la scie, ainsi que la sécurité des personnes.
13. **UTILISER UNE PLAQUE À GORGE APPROPRIÉE.** La plaque à gorge appropriée doit être en place et bien fixée en permanence afin de réduire le risque de projection d'une pièce et les blessures.
14. **UTILISER LA LAME ET LE COUTEAU DIVISEUR APPROPRIÉS** pour l'opération prévue. La lame doit être installée de sorte que les pointes des dents soient dirigées vers l'avant de la scie. N'utilisez pas de lame surdimensionnée ou de lame avec une ouverture d'arbre incorrecte. Serrez toujours fermement l'écrou de l'arbre de la lame. Avant utilisation, vérifiez la lame pour fissures

RÈGLES DE SÉCURITÉ DE LA SCIE DE TABLE (suite)

ou dents manquantes. N'utilisez pas de lames émoussées ou endommagées. Utilisez toujours des lames dans la gamme d'épaisseurs pour laquelle le couteau diviseur est conçu.

15. **ÉVITER LES OPÉRATIONS ET LES POSITIONS INCONFORTABLES DE LA MAIN** où un glissement soudain peut entraîner la main sur une lame de scie. Utilisez la scie avec une table à ou proche du niveau de la taille pour un équilibre et un contrôle maximum. Anticipez les effets liés à la taille de la pièce sur votre capacité à ajuster la position et garder le contrôle jusqu'à la fin de la coupe.
16. **GARDER LES BRAS, LES MAINS ET LES DOIGTS À AU MOINS SIX POUCES DE LA LAME.**
17. **NE JAMAIS COUPER DES MÉTAUX, DES PANNEAUX DE CIMENT OU DE LA MAÇONNERIE.** Certains matériaux synthétiques ont des instructions spéciales pour la coupe sur scie à table. Suivez les recommandations du fabricant en permanence.
18. **NE JAMAIS TENTER DE DÉBLOQUER UNE PIÈCE COINCÉE OU BLOQUÉE** sans d'abord éteindre la machine et débrancher la scie de la source d'alimentation.
19. **NE JAMAIS DÉMARRER LA MACHINE AVEC LA PIÈCE CONTRE LA LAME** afin de réduire le risque de projection de la pièce.
20. **NE JAMAIS EFFECTUER DES TRAVAUX D'ARRANGEMENT, D'ASSEMBLAGE OU DE PRÉPARATION SUR LA TABLE OU L'ESPACE DE TRAVAIL** pendant que la scie est en marche.
21. **AVANT DE LAISSER LA SCIE**, attendre que la lame s'arrête complètement, puis la débrancher de la source d'alimentation, nettoyer la table et l'espace de travail et verrouiller l'interrupteur pour empêcher toute utilisation non autorisée.
22. **SOUTENIR LA PIÈCE** en fonction de sa taille et du type d'opération à effectuer. Maintenez fermement la pièce contre le guide et contre la surface de la table. Ne laissez pas un panneau large ou une planche longue (ou une autre pièce volumineuse) sans soutien - en raison de son poids, la planche risquerait de se déplacer sur la table, entraînant ainsi une perte de contrôle.
23. **DES BRUITS INCONNUS OU DES VIBRATIONS EXCESSIVES** peuvent indiquer un problème avec votre scie. Dans ce cas, mettez-la hors tension et débranchez-la de la source d'alimentation jusqu'à ce que le problème ait été trouvé et corrigé. Si le problème persiste, contactez le service à la clientèle.
24. **DEMANDEZ CONSEIL** à votre superviseur, formateur ou autre personne qualifiée si vous ne savez pas parfaitement comment fonctionne cet appareil.

ENSEMBLE PROTÈGE-LAME, DOIGTS ANTI-RETOUR ET COUTEAU DIVISEUR DE LA SCIE

Votre scie de table est équipée d'un ensemble protège-lame, doigts anti-retour et couteau diviseur qui couvre la lame et réduit la possibilité de contact accidentel avec la lame. Le couteau diviseur est une plaque plane qui s'insère dans la coupe faite par la lame de la scie et permet de minimiser les rebonds en réduisant la tendance de la lame à se coincer dans la coupe. Deux doigts anti-retour sont situés sur les côtés du couteau diviseur qui permettent au bois de passer à travers la lame dans la direction de coupe, mais qui réduisent le risque de projection du matériau vers l'arrière sur l'opérateur. Le protège-lame et les doigts anti-retour ne peuvent être utilisés que pour des coupes qui traversent le bois. Lors de feuillures et autres coupes non-traversantes, le protège-lame et les doigts anti-retour doivent être enlevés et le couteau diviseur abaissé à la position de coupe non-

traversante indiquée sur le couteau diviseur.

Utilisez tous les éléments du système de protection (ensemble protège-lame, couteau diviseur et doigts anti-retour) pour chaque opération dans laquelle ils peuvent être utilisés, y compris dans la coupe traversante. Si vous choisissez de ne pas utiliser l'un de ces éléments pour une application particulière, redoublez de prudence vis-à-vis du contrôle de la pièce, de l'utilisation des pousoirs, la position de vos mains par rapport à la lame, l'utilisation de lunettes de sécurité, les moyens d'éviter le rebond et toutes les autres mises en garde contenues dans ce manuel et sur la scie elle-même. Réinstallez les éléments de protection dès que vous revenez à des opérations de coupe traversante. Gardez l'ensemble de protection en bon état de fonctionnement.

CONSTRUIRE UN POUSSOIR

Pour utiliser votre scie de table en toute sécurité, vous devez utiliser un pousoir lorsque, en raison de la taille ou de la forme de la pièce, vos mains se trouveraient à une distance inférieure à 6 pouces (152 mm) de la lame de la scie ou d'un autre couteau. Un pousoir est inclus avec cette scie.

Il n'est pas nécessaire d'utiliser un bois particulier pour fabriquer des pousoirs à condition qu'ils soient solides et suffisamment longs et que le bois soit exempt de nœuds, gerces et fissures. On recommande une longueur de 16 pouces (400 mm) avec une encoche qui s'adapte contre le bord de la pièce pour éviter tout glissement. Il est pratique d'avoir sous la

main plusieurs pousoirs de 16 pouces (400 mm) de long avec des encoches de différentes tailles pour s'adapter à différentes épaisseurs de pièce.

La forme peut varier en fonction de vos propres besoins tant qu'elle exerce sa fonction prévue de garder vos mains à distance de la lame. Orienter l'encoche de sorte que le pousoir puisse être maintenu à un angle de 20 à 30 degrés de la table à scie vous aidera à maintenir la pièce contre la table tout en la déplaçant à travers la scie. Reportez-vous au schéma de la section Accessoires de coupe à la page 57 du présent manuel.

RÈGLES DE SÉCURITÉ DE LA SCIE DE TABLE (suite)

REBONDS

Les rebonds peuvent causer des blessures graves. Un rebond se produit lorsque la pièce pince la lame ou se coince entre la lame de la scie et le guide longitudinal ou tout autre élément fixe et se soulève de la table pour être projetée vers l'opérateur. Les rebonds peuvent être évités en faisant attention aux conditions suivantes.

COMMENT RÉDUIRE LE RISQUE DE REBOND ET VOUS PROTÉGER CONTRE D'ÉVENTUELLES BLESSURES :

- S'assurer que le guide longitudinal est parallèle à la lame de la scie.
- **NE PAS** exécuter une coupe en exerçant une pression sur la portion fixe de la pièce qui deviendra la pièce coupée (libre). Au cours d'une coupe longitudinale, il est nécessaire d'exercer une pression entre la lame de la scie et le guide. Utiliser un pousoir pour les pièces courtes de 6 pouces (152 mm) de largeur ou moins.
- Maintenir le protège-lame, le couteau diviseur et l'ensemble anti-retour en position et en bon état de fonctionnement. Le couteau diviseur doit être aligné avec la lame de la scie et l'ensemble anti-retour doit arrêter un effet de rebond une fois la machine amorcée. Vérifier le bon fonctionnement de l'ensemble anti-retour avant la coupe longitudinale en poussant une pièce de bois sous l'ensemble anti-retour. Les dents doivent empêcher la projection de la pièce de bois vers l'avant de la scie. Si un élément de l'ensemble n'est pas opérationnel, retournez-le au centre de service agréé le plus proche pour réparation.
- Il est possible de couper des matières plastiques

et composites (comme des panneaux durs) avec la scie. Toutefois, puisque ces matières sont généralement très dures et glissantes, il est possible que les doigts anti-retour ne puissent pas contenir un effet de rebond. Il faut donc suivre attentivement les procédures d'installation et de coupe lors de coupes longitudinales.

- Utiliser un ensemble de protège-lame, de doigts anti-retour et couteau diviseur pour toutes les opérations où cela est possible, y compris en cas de coupe traversante.
- Lors de coupes longitudinales, pousser la pièce de l'autre côté de la lame de scie avant de relâcher la pièce.
- Ne **JAMAIS** effectuer une coupe longitudinale sur une pièce qui est tordue ou déformée ou qui n'a pas de bord droit à faire glisser le long du guide.
- Ne **JAMAIS** scier une grande pièce qui ne peut pas être contrôlée.
- **NE JAMAIS** utiliser le guide comme une butée longitudinale lors des coupes transversales.
- Ne **JAMAIS** scier une pièce qui présente des nœuds instables, des défauts, des clous ou tout autre corps étranger.
- Ne **JAMAIS** couper une pièce de moins de 10 pouces (254 mm).
- Ne **JAMAIS** utiliser une lame émoussée. Une lame émoussée doit être remplacée ou affûtée.

BRANCHEMENTS ÉLECTRIQUES

SOURCE D'ALIMENTATION

Cette scie est équipée d'un moteur de 13 ampères pour une utilisation sur courant alternatif de 120 volts et 60 Hz. Elle peut être re-câblée par un électricien qualifié pour une utilisation avec une source d'alimentation de 240 volts. Voir les instructions ci-dessous concernant les branchements appropriés pour le câblage de votre scie.

Pour la tension, le câblage de l'atelier est aussi important que la puissance du moteur. Une ligne conçue uniquement pour l'éclairage peut ne pas être en mesure de transférer correctement le courant nécessaire au moteur d'un outil électrique; un fil suffisamment épais pour une distance courte peut être trop fin pour une distance plus longue, et une ligne pouvant supporter un outil électrique peut ne pas être en mesure de supporter deux ou trois outils.

Un circuit électrique séparé devrait être utilisé pour vos appareils. Les fils du circuit doivent être au moins de calibre 12 et être protégés par un fusible à action différée de 20 ampères. Si vous utilisez une rallonge, utilisez uniquement des rallonges à trois fils avec des fiches de mise à la terre à trois broches et la prise correspondante qui acceptera la fiche de la machine. Avant de raccorder la machine à l'alimentation, s'assurer que le ou les interrupteurs sont sur la position « OFF » (arrêt) et que le courant électrique possède les mêmes caractéristiques que celles indiquées sur la machine. Une chute de tension importante entraînera une perte de puissance et une surchauffe du moteur. Cela peut également endommager la machine.

⚠ DANGER : NE PAS UTILISER L'APPAREIL DANS UN ENDROIT HUMIDE OU MOUILLÉ ET NE PAS L'EXPOSER À LA PLUIE.

DIRECTIVES DE MISE À LA TERRE

⚠ DANGER : CET APPAREIL DOIT ÊTRE MIS À LA TERRE LORSQU'IL EST UTILISÉ POUR PROTÉGER L'OPÉRATEUR CONTRE L'ÉLECTROCUTION.

En cas de mauvais fonctionnement ou de panne, la mise à la terre fournit un chemin de moindre résistance au courant électrique visant à réduire le risque d'électrocution. Cet appareil est muni d'un cordon électrique doté d'un conducteur

de terre et d'une fiche de mise à la terre. La fiche doit être branchée sur une prise correspondante qui soit correctement installée et mise à la terre, conformément aux codes et règlements locaux.

Ne pas modifier la fiche fournie sur votre scie ou

BRANCHEMENTS ÉLECTRIQUES (suite)

re-câblée par votre électricien. Si elle ne rentre pas dans la prise, faites installer une prise adéquate par un électricien qualifié.

Le raccordement inapproprié du conducteur de terre de l'équipement peut provoquer l'électrocution. Le fil conducteur avec isolation et doté d'une surface extérieure verte, avec ou sans rayures jaunes, est le conducteur de terre. Si la réparation ou le remplacement du cordon électrique ou de la fiche s'avère nécessaire, ne pas raccorder le conducteur de terre de l'équipement à une borne sous tension.

Si les consignes de mise à la terre ne sont pas complètement comprises ou en cas de doute concernant la mise à la terre de l'appareil, se renseigner auprès d'un électricien ou du personnel de service agréés.

Utiliser uniquement des cordons à 3 fils avec des fiches de mise à la terre à 3 broches et des prises adaptées à la fiche de la machine, comme illustré à la Figure A, ou une prise correctement reliée à la terre avec un adaptateur mis à la terre, comme illustré à la Figure B.

Réparez ou remplacez immédiatement tout cordon endommagé ou usé.

⚠ DANGER : DANS TOUS LES CAS, ASSUREZ-VOUS QUE LE RÉCEPTACLE EN QUESTION EST BIEN RELIÉ À LA TERRE. EN CAS DE DOUTE, FAITES VÉRIFIER LA PRISE PAR UN ÉLECTRICIEN QUALIFIÉ.

Il s'agit d'un outil raccordé à un cordon et mis à la terre, destiné à une utilisation sur un circuit d'alimentation ayant une puissance nominale de 120 volts. Il est conçu pour une utilisation sur un circuit qui comporte une prise, comme le montre la FIG. A. Il est doté d'une fiche comme illustré dans la Figure A. Si vous avez une prise à 2 pôles, comme le montre la FIG. B, vous pouvez utiliser un adaptateur temporaire, comme le montre la FIG. B. Si vous ne disposez pas d'une prise correctement mise à la terre. La cosse à oreille verte dépassant de l'adaptateur doit être connectée à une boîte de courant reliée à la terre en permanence. L'adaptateur temporaire doit uniquement être utilisé jusqu'à ce qu'une sortie correctement mise à la terre puisse être installée par un électricien qualifié.

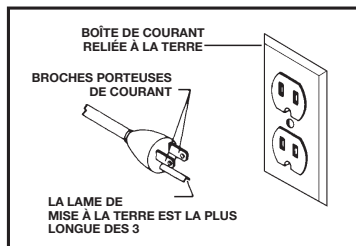


FIG. A

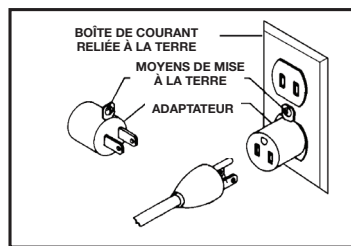


FIG. B

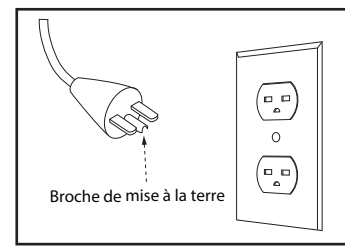


FIG. C

Cet outil peut être converti pour un circuit d'alimentation de 240 volts par un électricien qualifié. S'il est converti à 240 volts, il doit être équipé d'une fiche de mise à la terre comme le montre la FIG. C et doit être branché sur une prise, comme le montre la FIG. C, reliée à une mise à la terre permanente. Aucun adaptateur n'est disponible ou doit être utilisé avec cet outil en cas de conversion à 240 volts.

RALLONGES

⚠ DANGER : N'utilisez jamais une rallonge endommagée. Vérifiez les rallonges avant chaque utilisation. Si la rallonge est endommagée, remplacez-la immédiatement. Toucher la zone endommagée pourrait provoquer un choc électrique entraînant des blessures graves.

⚠ ATTENTION : Maintenez la rallonge hors de l'espace de travail. Positionnez le cordon afin qu'il n'accroche pas aux pièces de bois, outils et autres obstacles.

- Utilisez des rallonges appropriées. Veillez à utiliser une rallonge en bon état et vérifiez qu'il s'agit d'une rallonge à 3 fils avec une fiche de mise à la terre à 3 broches et que vous disposez d'une prise adaptée à la fiche de la machine, tel que décrit dans les Instructions de mise à la terre figurant dans le présent manuel. Lorsque vous utilisez une rallonge, assurez-vous qu'elle soit d'un calibre suffisamment élevé pour alimenter la machine en électricité. Une rallonge d'un calibre trop petit provoquera une chute de tension, entraînant une perte de puissance et une surchauffe. Le tableau ci-dessous indique le calibre maximal à utiliser en fonction de la longueur du cordon. En cas de doute, utilisez le calibre immédiatement supérieur. Plus le numéro de calibre est petit, plus le cordon est épais. Utilisez exclusivement des cordons ronds, chemisés, répertoriés par Underwriters Laboratories (UL).

CALIBRE MINIMUM POUR RALLONGE CALIBRES RECOMMANDÉS POUR UTILISATION SUR DES APPAREILS ÉLECTRIQUES STATIONNAIRES			
Intensité	Volts	Longueur totale du cordon en pieds	Calibre de la rallonge
0-6	240	jusqu'à 50	18 AWG
0-6	240	50-100	16 AWG
0-6	240	100-200	16 AWG
0-6	240	200-300	14 AWG
6-10	240	jusqu'à 50	18 AWG
6-10	240	50-100	16 AWG
6-10	240	100-200	14 AWG
6-10	240	200-300	12 AWG
10-12	240	jusqu'à 50	16 AWG
10-12	240	50-100	16 AWG
10-12	240	100-200	14 AWG
10-12	240	200-300	12 AWG
12-16	240	jusqu'à 50	14 AWG
12-16	240	50-100	12 AWG

CALIBRE MINIMUM POUR RALLONGE CALIBRES RECOMMANDÉS POUR UTILISATION SUR DES APPAREILS ÉLECTRIQUES STATIONNAIRES			
Intensité	Volts	Longueur totale du cordon en pieds	Calibre de la rallonge
0-6	120	jusqu'à 25	18 AWG
0-6	120	25-50	16 AWG
0-6	120	50-100	16 AWG
0-6	120	100-150	14 AWG
6-10	120	jusqu'à 25	18 AWG
6-10	120	25-50	16 AWG
6-10	120	50-100	14 AWG
6-10	120	100-150	12 AWG
10-12	120	jusqu'à 25	16 AWG
10-12	120	25-50	16 AWG
10-12	120	50-100	14 AWG
10-12	120	100-150	12 AWG
12-16	120	jusqu'à 25	14 AWG
12-16	120	25-50	12 AWG
12-16	120	IL EST DÉCONSEILLÉ D'UTILISER UNE LONGUEUR DE PLUS DE 50 PIEDS (15,24 M).	

DÉBALLAGE

⚠ AVERTISSEMENT :

- La machine est lourde, deux personnes sont nécessaires pour la déballer et la soulever.
- Placez une courroie de sécurité autour de la machine pour éviter qu'elle bascule lors du levage.
- Avant d'assembler et d'utiliser la machine, lisez attentivement ce manuel pour vous familiariser avec les procédures d'assemblage, d'entretien et de sécurité appropriées.

Vérifiez que l'emballage d'expédition et la machine ne sont pas endommagés avant de le déballer. Retirez délicatement les composants de la couche de mousse supérieure. Enlevez la couche de mousse supérieure, puis retirez tous les composants de la couche de mousse inférieure. Posez toutes les pièces sur un morceau de carton ou autre surface plane et propre. Au moins deux personnes ou plus sont nécessaires pour sortir la scie du carton. Toujours vérifier et retirer les matériaux d'emballage de protection autour des moteurs et des pièces mobiles. Ne jetez pas le carton d'expédition et les matériaux d'emballage avant d'en

avoir soigneusement vérifié le contenu, assemblé la machine et être certain qu'elle fonctionne correctement.

Comparez le contenu du colis avec la liste des composants et des pièces et la liste des sachets de quincaillerie avant l'assemblage pour vous assurer que rien ne manque. Inspectez soigneusement les pièces pour vous assurer qu'il n'y a eu aucun dommage pendant le transport. Si des pièces sont manquantes, endommagées ou prémontées, ne pas assembler. Au lieu de cela, appelez le Service à la clientèle DELTA® au 1-800-223-7278 pour obtenir de l'aide.

Après le montage, retirez les matériaux et enduits de protection de toutes les pièces et de la scie de table. Les enduits de protection peuvent être retirés en les pulvérisant de WD-40® et en les essuyant avec un chiffon doux. Il peut être nécessaire de renouveler cette étape plusieurs fois avant que tous les enduits de protection soient complètement enlevés.

Après nettoyage, appliquez une cire en pâte de bonne qualité à toutes les surfaces en fonte non peintes. Assurez-vous de bien lustrer la cire avant le montage.

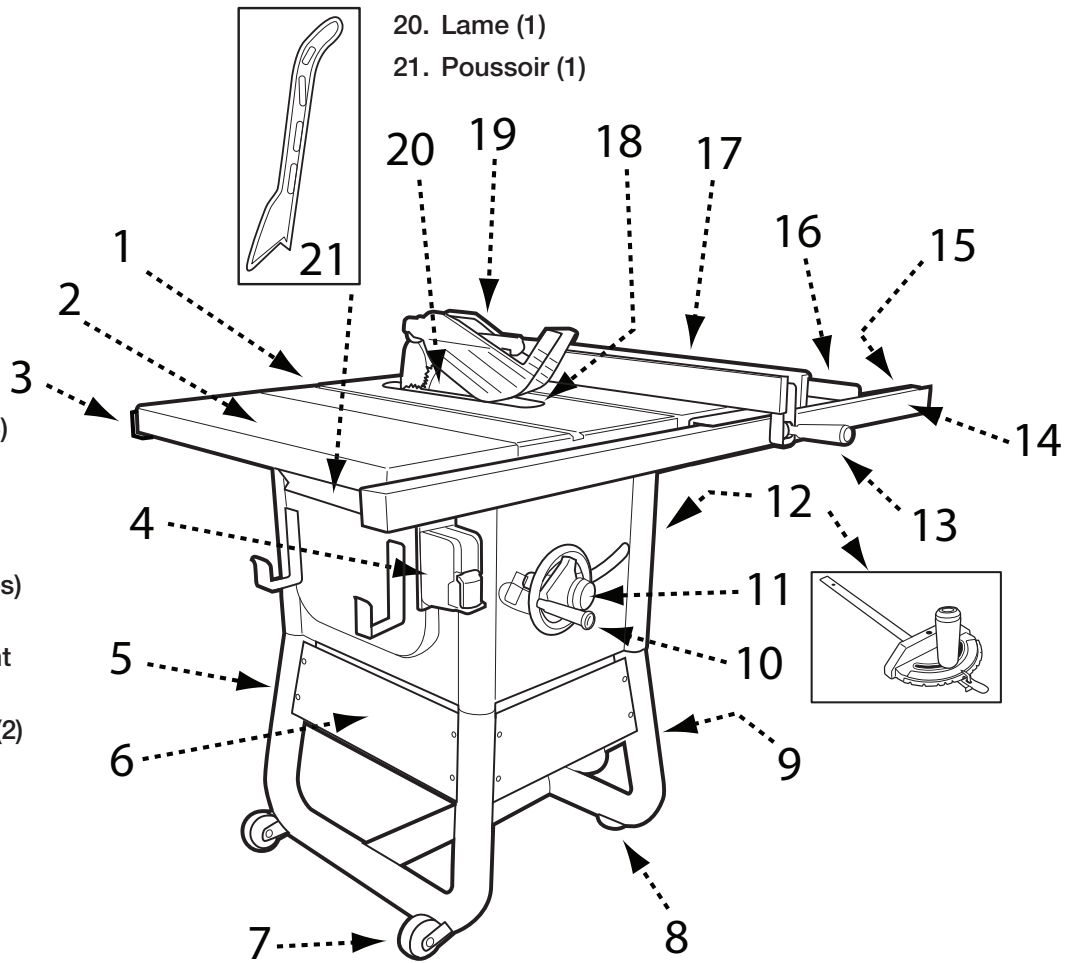
DÉBALLAGE (suite)

LISTE DES COMPOSANTS ET DES PIÈCES

DESCRIPTION (QUANTITÉ)

1. Scie de table avec lame au carbure fixée et clé plate (1)
2. Aile d'extension (2)
3. Rails arrière (droite et gauche) (2)
4. Boîte de commutation (fixée à la scie) (1)
5. Support tubulaire (2)
6. Panneaux de support (4)
7. Roues fixes (2)
8. Pieds réglables (2)
9. Pédale et roulette pivotantes (non illustrées) (fixées à la scie) (1)
10. Poignées de type volant (2) (fixées à la scie)
11. Boutons de verrouillage (2)
12. Guide à onglets (1)
13. Poignée de guide longitudinal (1)
14. Guides de butée (droite et gauche) (2)
15. Rails de butée avant (droite et gauche) (2)

16. Barre d'écartement de rails (1)
17. Guide longitudinal (1)
18. Plaque à gorge (1)
19. Protège-lame et doigts anti-retour
20. Lame (1)
21. Poussoir (1)



PAQUETES DE FERRETERÍA

DESCRIPTION (QTY)	Élt. n°/ liste des pièces	DESCRIPTION (QTÉ)	Élt. n°/ liste des pièces
1. Perno de cabeza redonda y cuello cuadrado M8 x 70mm (1)	153	12. Chapa de unión para el perfil delantero (1)	32
2. Tuerca Nylock M8 (3)	155	13. Perno de tope M5 x16mm (2)	34
3. Perno de cabeza redonda y cuello cuadrado M6 x 72mm (4)	144	14. Tuerca Nylock M5 (2)	33
4. Tuerca M6 (4)	145	15. Tornillo hexagonal 5/16"-18 x 7/8" (10)	58
5. Arandela de presión M8 (1)	154	16. Tornillo de estrella de cabeza redondeada M5 x 6mm (1)	26
6. Pasador de eje M8 x 53mm (2)	151	17. Perno de tope M8 x16 (4)	20
7. Perno autorroscante M6 x 10mm (16)	146	18. Tuerca Nylock M8 (4)	21
8. Llave hexagonal con mango en T 3/16" (1) *		19. Tornillo de cabeza plana 5/16-18 x 1 1/8" (12)	19
9. Llave hexagonal con mango en L 3/16" (1) *		20. Tuerca hexagonal con brida 5/16-18 (12)	22
10. Llave Allen hexagonal con mango en L 6mm (1)	*	21. Arandela de seguridad 5/16 (12)	23
11. Tornillo hex. redondeado con arandela de presión 1/4"-20 x 1/2" w/1/4" (7)	35	22. Pasador de alambre: UC-1.5 blanco (1)	25
		23. Plantilla de alineación de guía (1)	*

* Élément n'apparaissant pas dans la liste des pièces

MONTAGE

⚠ AVERTISSEMENT :

- Ne soulevez pas la scie sans aide. Tenez-la près de votre corps en soulevant. Gardez les genoux pliés et soulevez en utilisant les jambes, pas le dos.
- Assemblez complètement la scie avec le piètement avant de l'utiliser. Le piètement est une partie intégrante et nécessaire de la structure de support de cette scie.
- Ne modifiez pas la scie, ne créez pas d'accessoires non recommandés pour utilisation avec cette scie.
- Assurez-vous que l'interrupteur d'alimentation est en position « OFF » (arrêt) avant de brancher l'alimentation électrique.
- Ne branchez pas sur le secteur avant que le montage soit terminé

⚠ ATTENTION : évitez tout contact avec les dents de la lame. Laissez la lame rangée ou abaissée si possible.

OUTILS REQUIS POUR LE MONTAGE (NON INCLUS) :

- Tournevis
- Tournevis cruciforme
- Clé de 8mm
- Clé de 10mm
- Clé de 12mm
- Clé de 13 mm
- Clé de 1/2 po
- Clé de 9/16 po
- Clé hexagonale Allen de 6 mm
- Clé Allen de 5/32 po
- Clé Allen de 3/16 po

SOCLE

1. Connectez les deux pattes tubes en insérant l'extrémité de la patte gauche (A) dans l'extrémité de la patte droite (B) comme le montre la Figure 1. Fixez avec boulon de carrosserie M8 X 70 mm et un écrou autobloquant, puis serrez à la main.
2. Insérez les quatre extrémités ouvertes des pattes tubes dans les colliers des pattes (C), comme illustré. Fixez chaque patte avec un boulon et un écrou de 6 mm x 72 mm.
3. Fixez les panneaux de support de patte arrière et avant (D) sur les pattes à l'aide de quatre boulons autotaraudeur M6 x 10 mm.

Note: Placez petit trou de vis en premier. Snug mais ne pas serrer la vis esta. Placez reste des vis à travers les fentes et commencer à enfiler dans les trous sur l'onglet de montage sur le stand. Une fois toutes les vis sont démarrés, serrez les quatre Suffisamment pour tenir fermement la plaque. Ce sont des vis autotaraudeuses et peuvent être difficiles à enfiler au premier abord. Suivez cette procédure pour tous les quatre panneaux ou 16 vis.

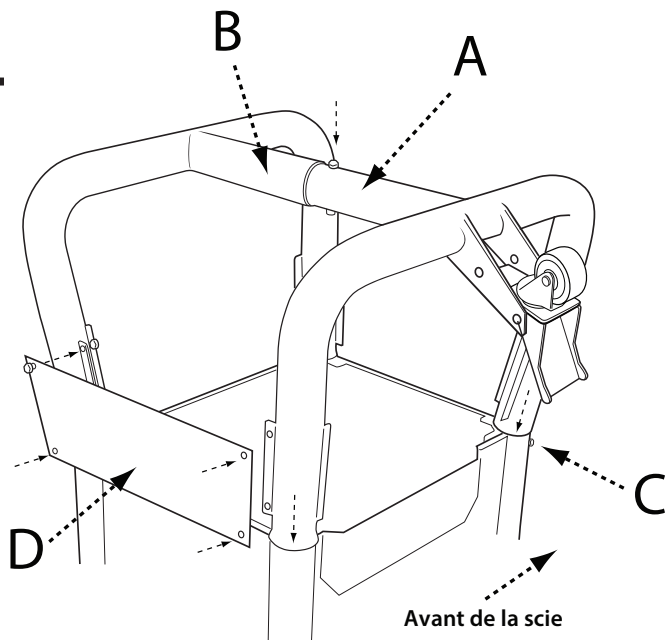


FIGURE 1

ROUES ET PIEDS FIXES

1. Fixez les deux roues fixes (A) sur les deux pattes gauches, en face de la roulette pivotante, à l'aide des boulons à épaulement de carrosserie comme dans la Figure 2.
2. Vissez les pieds réglables (C) dans les inserts filetés de la patte droite, à côté de la roulette pivotante.
3. Placez un morceau de 2x4 au dos de la scie, comme le montre la Figure 3, pour éviter d'endommager le capteur de poussière lors du relevage de la scie.
4. Relevez la scie côté droit vers le haut.

⚠ AVERTISSEMENT : La machine est lourde, deux personnes sont nécessaires pour la lever.

5. Les deux pieds réglables (C) peuvent être soulevés et abaissés en les faisant tourner. Les pieds peuvent être réglés pour niveler la scie et verrouillés en place avec les vis de calage verrouillables à l'aide d'une clé Allen de 6 mm. Voir Figure 2.

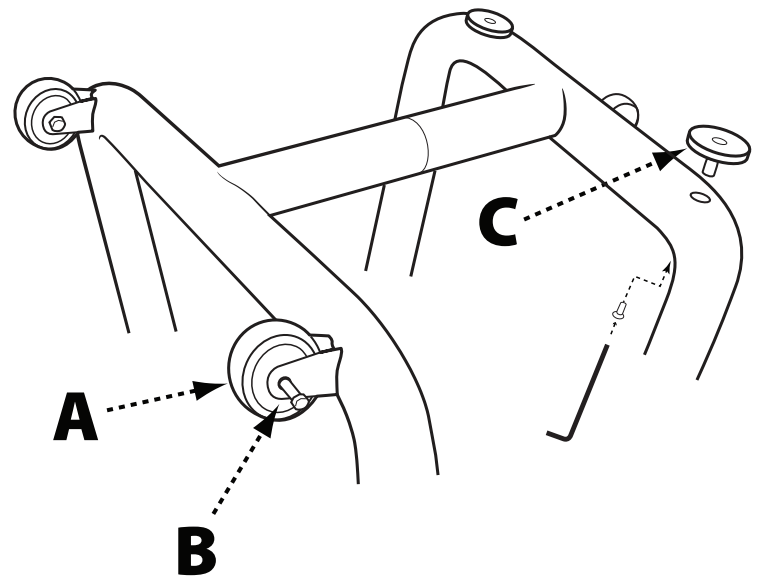


FIGURE 2

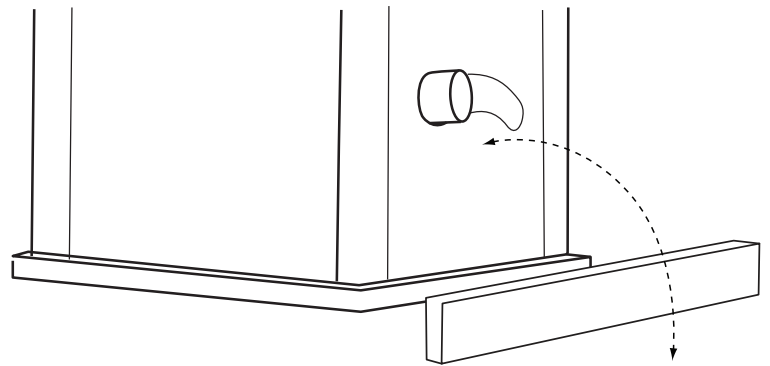


FIGURE 3

AILES D'EXTENSION

1. Fixez les ailes d'extension (A) sur la table en utilisant deux vis à tête hexagonale de 5/16"-18 pour chaque aile. Les ailes se fixent par en-dessous.
2. Assurez-vous que les ailes sont au ras du plateau de la table.

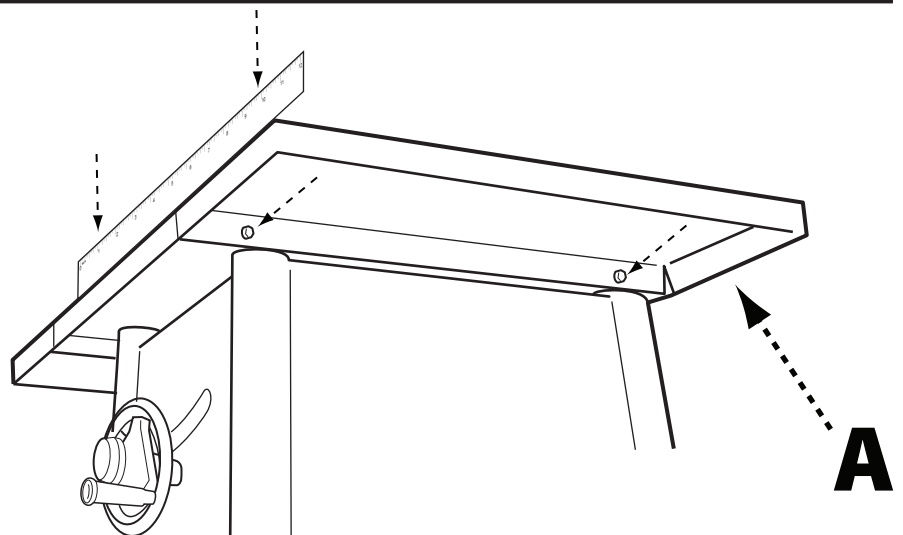


FIGURE 4

RAILS AVANT ET ARRIÈRE

1. Fixez les moitiés de rail avant (angles de 2 po x 2 po (50,8 mm x 50,8 mm) 3/4 po (933,44 mm) et 20 po (508 mm) de longueur) à l'avant de la table et aux rallonges. Alignez les trous (A) à l'avant du dessus de la table avec les trous (B) dans les sections gauche (courte) et droite (longue) du rail avant, comme le montre la Figure 5, et fixez à l'aide de quatre vis à tête plate de 5/16-18 x 1 1/8 pouces (465,13 mm x 28,57 mm), Rondelles de blocage de 5/16 et de quatre écrous hexagonaux à embase de 5/16-18 (465,13 mm).
2. Fixez la plaque de rattachement du rail (C) à l'aide de deux boulons à épaulement M5 x 16 et de deux écrous de blocage M5 dans les deux trous où les sections de rail se rencontrent.
3. Utilisez la jauge d'alignement de rail fournie pour vous assurer que les rails sont à la distance correcte du dessus de la table. Voir Figure 6. Les rails avant ont des trous sur les deux surfaces du rail pour la fixation à la fois à la table et au guide de butée.
4. Fixez les moitiés de rail arrière à la table à l'aide de quatre vis à tête hexagonale de 5/16"-18. Attachez les moitiés du rail arrière aux rallonges d'établi à l'aide des vis à tête plate de 5/16-18 x 1 1/8", des rondelles de blocage de 5/16" et des écrous à brides de 5/16-18". Utilisez la fente de la jauge fournie pour vous assurer que le rail est à la distance correcte du dessus de la table.
5. Fixez la barre d'écartement (D) à l'extrémité extérieure des rails avant et arrière à l'aide de boulons à épaulement M8 x 16 et d'écrous de blocage M8. Voir Figure 5.

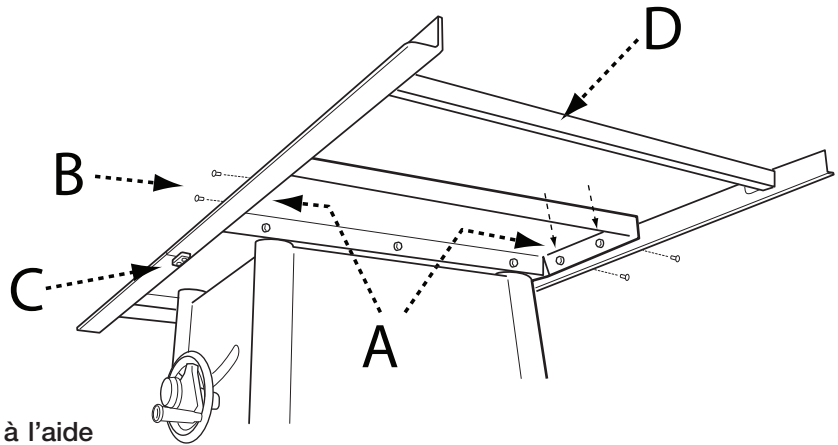


FIGURE 5

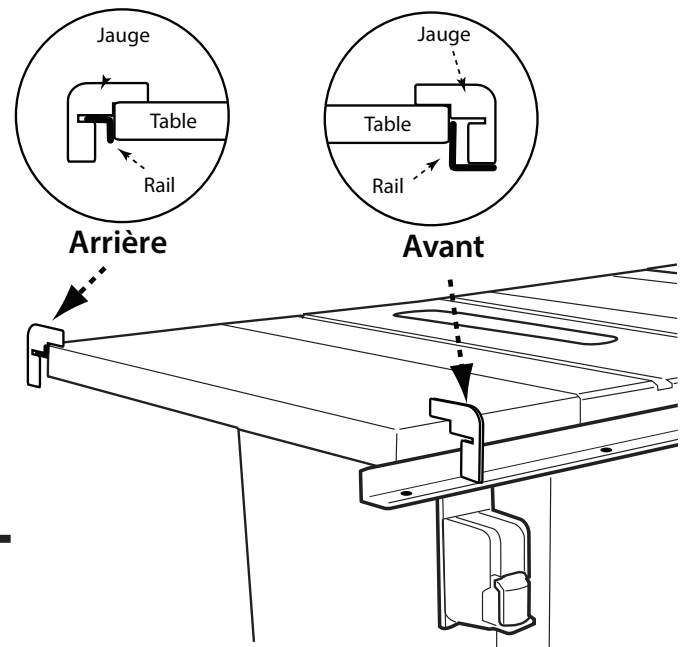


FIGURE 6

GUIDE DE BUTÉE ET BOÎTE DE COMMANDE DE PUISSANCE

1. Reliez les deux moitiés du guide de butée (A et B) en insérant l'extrémité la plus petite dans l'extrémité la plus grande. Voir Figure 7.
2. Fixez le guide de butée au rail avant à l'aide de cinq vis hexagonales à tête ronde de 1/4-20 x 1/2 pouces (514,35 mm x 12,70 mm) et de cinq ressort freins de 1/4 pouces (6,35 mm) à travers les trous (C) sur le côté inférieur du rail avant.
3. Alignez les deux trous du support de la boîte de commande de puissance avec les trous sous le rail avant (D), situé sur le côté gauche de la scie. Fixez la boîte de commande de puissance au rail avant à l'aide de deux vis à tête ronde de 1/4-20 x 1/2 pouces (514,35 mm x 12,70 mm).
4. Fixez le cordon d'alimentation suspendu sur le côté arrière du rail avant au moyen d'une broche d'agrafe et d'une vis à tête ronde M5 x 6 mm.

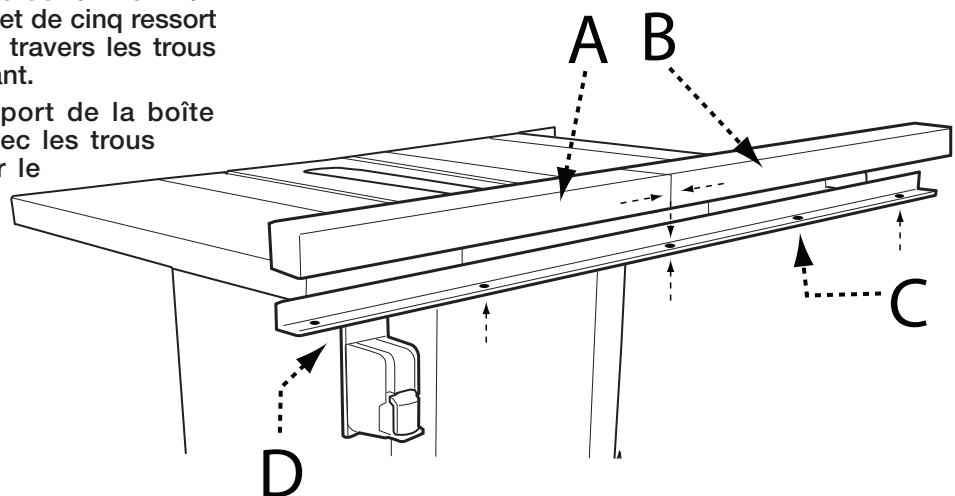


FIGURE 7

PLAQUE À GORGE

1. Pour installer la plaque à gorge, abaissez la lame en dessous du plateau de la table, puis faites passer soigneusement la plaque à gorge, extrémité fendue d'abord, de l'avant de la table à l'arrière, en gardant la lame centrée dans la fente de la plaque à gorge. Voir Figure 8. La plaque doit reposer à l'intérieur de la cavité dans le plateau de la table.
2. Assurez-vous que la plaque à gorge est alignée avec la partie supérieure de la table.
3. Si la plaque n'est pas alignée avec le plateau de la table, ajustez la hauteur de la plaque à gorge au moyen des quatre vis de pression (A).

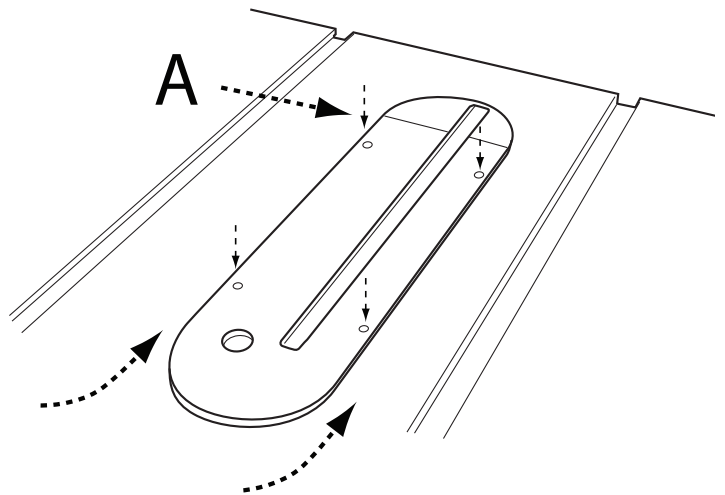


FIGURE 8

REMARQUE : Lors de l'installation du couteau diviseur, des doigts anti-retour et du protège-lame, la lame doit être au réglage de 90 degrés et élevée à la hauteur maximale. Voir Lever et abaisser la lame, à la page 48.

LAME ET COUTEAU DIVISEUR

⚠ AVERTISSEMENT : Pour réduire le risque de blessures graves, le couteau diviseur doit être installé et positionné correctement pour chaque coupe traversante et non traversante possible.

1. La scie est livrée avec la lame et le couteau diviseur installés et alignés correctement. Le couteau diviseur est installé dans la position de coupe basse, non traversante. Avant d'utiliser votre scie, assurez-vous que l'alignement de la lame dans la fente à onglets et du couteau

diviseur par rapport à la lame n'a pas été affecté par le transport. Pour vérifier l'alignement de la lame et du couteau diviseur, voir page 60 dans la section Alignement de ce manuel.

2. Le couteau diviseur est installé dans la position de coupe basse, non traversante. Pour fixer les doigts anti-retour et les ensembles protège-lame, le couteau diviseur doit être en position relevée, comme indiqué sur la Figure 9. Pour lever et abaisser le couteau diviseur, voir Réglages de la hauteur du couteau diviseur à la page 50.

DOIGTS ANTI-RETOUR ET PROTÈGE-LAME

DOIGTS ANTI-RETOUR

⚠ AVERTISSEMENT : Pour réduire le risque de blessures graves, les doigts anti-retour doivent être en place lorsque vous effectuez une coupe traversante.

1. Reportez-vous à la Figure 9 et localisez la fente de montage des doigts anti-retour (A) au milieu du bord supérieur du couteau diviseur.
2. Faites coulisser la fente au milieu de l'ensemble de doigts anti-retour le long de la partie supérieure du couteau diviseur jusqu'à ce que la tige (B) localise la fente centrale sur le couteau diviseur.
3. Enfoncez la tige sur l'ensemble de doigts anti-retour (B) pour permettre à l'ensemble de tomber dans la fente. Appuyez sur l'ensemble de doigts anti-retour jusqu'à ce qu'il s'enclenche et se verrouille. Relâchez la tige. **REMARQUE :** Tirez sur les doigts anti-retour pour vous assurer qu'ils sont bien verrouillés en place.

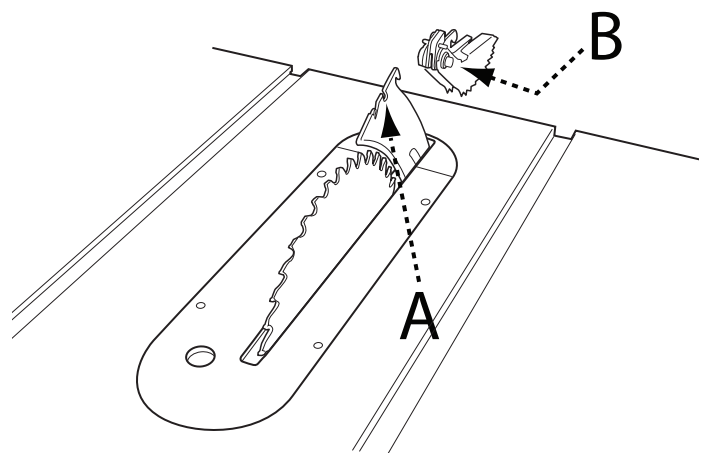


FIGURE 9

Pour retirer les doigts anti-retour, appuyez sur la tige (B) et tirez l'ensemble de doigts anti-retour hors du couteau diviseur.

PROTÈGE-LAME

⚠ AVERTISSEMENT : Pour réduire le risque de blessures graves, le protège-lame doit être en place lorsque vous effectuez une coupe transversante.

1. Tout en maintenant l'ensemble protège-lame (A) en position verticale, accrochez le goujon de guidage (B) à l'extrémité arrière de l'ensemble protège-lame dans la fente sur le bord arrière du couteau diviseur.
2. Faites tourner l'ensemble protège-lame vers l'avant de la scie jusqu'à ce que la partie métallique (C) de l'ensemble protège-lame soit parallèle à la table comme le montre la Figure 10.
3. Tout en maintenant enfoncé l'avant de la partie métallique du protège-lame (C), appuyez sur le levier de verrouillage du protège-lame (D) jusqu'à ce qu'il s'enclenche en position verrouillée. Assurez-vous que le protège-lame est verrouillé sur le couteau diviseur en tirant sur le protège-lame. Si le protège-lame n'est pas verrouillé, le levier de verrouillage du protège-lame retournera à la position déverrouillée.

⚠ AVERTISSEMENT : Si la partie métallique de l'ensemble protège-lame (C) n'est pas parallèle à la table, le couteau diviseur n'est pas dans la position relevée. Retirez l'ensemble protège-lame et les doigts anti-retour et relevez le couteau diviseur, puis réinstallez les doigts anti-retour et l'ensemble protège-lame.

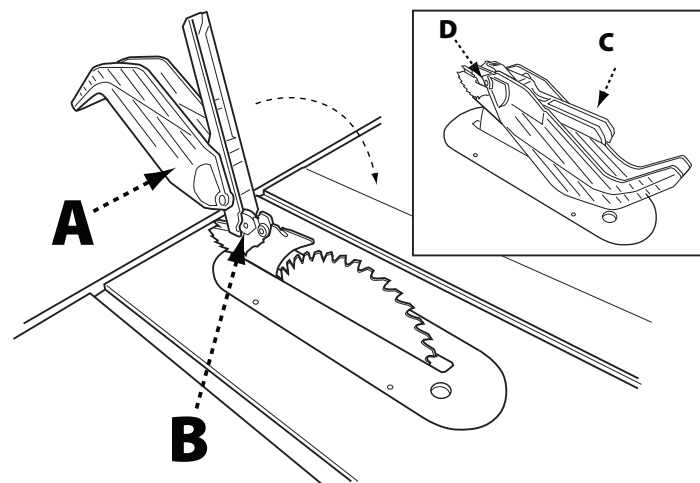


FIGURE 10

Pour retirer l'ensemble protège-lame :

1. Soulevez le levier de verrouillage du protège-lame (D) à la position déverrouillée.
2. Tournez le protège-lame vers l'arrière et faites glisser le goujon (B) hors de la fente du couteau diviseur.

GUIDE LONGITUDINAL

Reliez la poignée à la came du guide

Le guide longitudinal coulisse sur le rail de la butée arrière de sorte que le crochet soit sous le rail arrière et se déplace sur le tube de guidage avant. La butée se verrouille en place en appliquant une pression dans un mouvement vers le bas sur la poignée du guide longitudinal. L'alignement du guide longitudinal doit être vérifié avant d'utiliser votre scie. Pour vérifier l'alignement du guide longitudinal, voir les instructions d'alignement à la page 61.

GUIDE À ONGLETS

Insérez le guide à onglets dans chaque fente pour vous assurer qu'il coulisse librement. Voir la section Réglage des butées d'onglet à la page 60 pour le réglage de précision du guide à onglets.

RANGEMENT INTÉGRÉ

La scie sur table DELTA no 36-725 pour les entrepreneurs est livrée avec un rangement intégré pour le guide à onglets, la clé à arbre, le poussoir et la butée fournis. Il y a aussi un rangement intégré pour les lames de scie de rechange (vendues séparément). Les espaces de rangement pour le guide à onglets, la lame de rechange et la clé à arbre sont situés sur le panneau latéral droit de la machine et sont préinstallés.

Les espaces de rangement intégrés pour la butée et le poussoir se trouvent sur le côté gauche de la scie.

AJUSTEMENT DES BUTÉES FIXES POUR L'ANGLE DE BISEAU DE 90° ET 45°

Il y a des butées fixes à chaque extrémité de la plage de biseau. Pour assurer des coupes précises, les butées fixes doivent être positionnées exactement à 90° et 45°. Les butées coniques sont correctement réglées en usine. Cependant, pour une précision maximale, vous devez vérifier la position des butées lors de l'assemblage et de temps en temps pour vous assurer que les réglages restent satisfaisants. Pour vérifier la position des butées et l'ajuster si nécessaire, reportez-vous à la Figure 11 et procédez comme suit.

1. Relâchez le bouton de verrouillage de l'inclinaison de la lame.
2. Faites tourner le volant de commande d'inclinaison de la lame dans le sens horaire et inclinez la lame à l'opposé du, puis de nouveau vers le sens perpendiculaire jusqu'à ce que la butée ait atteint la position « arrêt ».
3. En utilisant une équerre de menuisier, vérifiez l'angle de la lame par rapport à la table, comme le montre la Figure 17b, page 50. Si la lame est à 90° par rapport à la table, passez à l'étape 6.
4. Si la lame n'est pas perpendiculaire à la table, tournez le volant de commande pour incliner légèrement la lame à l'opposé de la position d'arrêt, puis ajustez la butée de 90° en tournant la vis de pression à tête creuse située dans le plateau de la table immédiatement en avant de la

partie gauche de la plaque à gorge (A). Revérifiez l'angle avec l'équerre de menuisier et continuez à ajuster jusqu'à ce que la lame soit à 90 degrés lors du retour à la position d'arrêt.

5. Tournez le volant de commande d'inclinaison de la lame en sens antihoraire jusqu'à ce qu'il repose sur la butée de 45°. Ensuite, répétez les étapes 4 et 5, en réglant la butée de 45° en tournant la vis de pression à tête creuse située en avant de la partie droite de la plaque à gorge. (B)

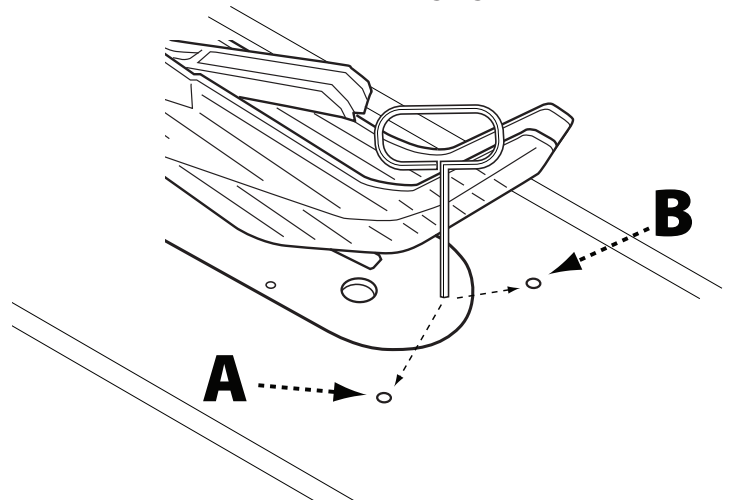


FIGURE 11

FIXATION DE LA SCIE AU SOL

⚠ AVERTISSEMENT : Cette scie se distingue par sa portabilité. N'essayez pas d'utiliser la scie pour couper une pièce grande ou encombrante sans prendre les mesures appropriées pour vous protéger contre le risque de basculement de la scie. Les exemples de mesures appropriées comprennent l'utilisation de tables de support et/ou la fixation des pattes de la scie au sol en remplaçant les pieds de la scie avec des boulons de raccordement ou en reliant les pattes à un support monté au sol avec des sangles en U.

PRÉPARATION POUR COUPER

⚠ AVERTISSEMENT : Le non-respect des avertissements suivants peut entraîner des blessures graves.

- **TOUJOURS** s'assurer que la pièce d'usinage n'est pas en contact avec la lame avant d'actionner le commutateur pour démarrer la scie. Le contact avec la lame pourrait entraîner le rebond ou la projection d'une pièce.
- Pour réduire le risque de démarrage accidentel, **TOUJOURS** s'assurer que le commutateur est en position arrêt avant de brancher la scie à la source d'alimentation.
- **NE PAS** utiliser de lames de qualité inférieure à la vitesse de cet outil. Le non-respect de cet avertissement peut entraîner des blessures graves.
- Éteindre la machine et la débrancher de la source d'alimentation avant d'installer et de retirer tout accessoire, avant d'effectuer des réglages et des réparations. Un démarrage inopportun peut provoquer des blessures.
- Avant de faire fonctionner la scie, veillez à vous familiariser avec ses caractéristiques et commandes et vérifiez que vous avez fait tous les ajustements nécessaires comme décrit ci-dessous.

SOULEVER ET ABAISSER LA LAME

Pour la plupart des applications, il est recommandé de soulever la lame de 1/8 pouces (3,2 mm) à 1/4 pouces (6,4 mm) au-dessus de la surface supérieure de la pièce.

Relevez ou abaissez la lame avec le volant de commande (A) situé à l'avant de la scie (voir Figure 12).

1. Avant de soulever ou d'abaisser la lame, veillez à desserrer le bouton de verrouillage (B) en le tournant dans le sens antihoraire.
2. Pour soulever la lame de la scie, tournez le volant de commande dans le sens horaire. Pour abaisser la lame de la scie, tournez le volant de commande dans le sens antihoraire.
3. Serrez le bouton de verrouillage pour maintenir la lame à la hauteur désirée. Seule une légère pression suffit à verrouiller fermement le mécanisme de soulèvement de la lame. Toute pression supplémentaire applique simplement une tension inutile sur le dispositif de verrouillage.
4. Lorsque vous avez terminé d'utiliser la scie et lors de l'entretien, des ajustements ou des réparations, abaissez la lame en dessous de la surface de la table.

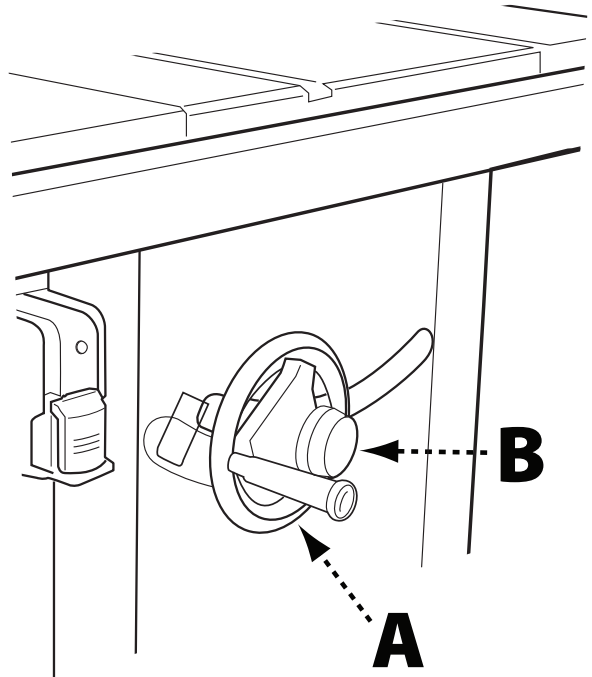


FIGURE 12

INCLINAISON DE LA LAME

La lame peut être inclinée jusqu'à 45° vers la gauche à l'aide du volant d'inclinaison de la lame (A) situé sur le panneau latéral droit de la scie. L'angle d'inclinaison est mesuré par la jauge de biseau sur la face avant de la scie. Pour incliner la lame de la scie :

1. Desserrez le bouton de verrouillage (B) dans le sens antihoraire et tournez le volant de commande dans le sens horaire. Un indicateur sur l'avant de la scie indique l'angle d'inclinaison par des incréments d'1/2 degré.
2. Pour verrouiller la lame de la scie à l'angle désiré, serrez le bouton de verrouillage en le tournant dans le sens horaire.

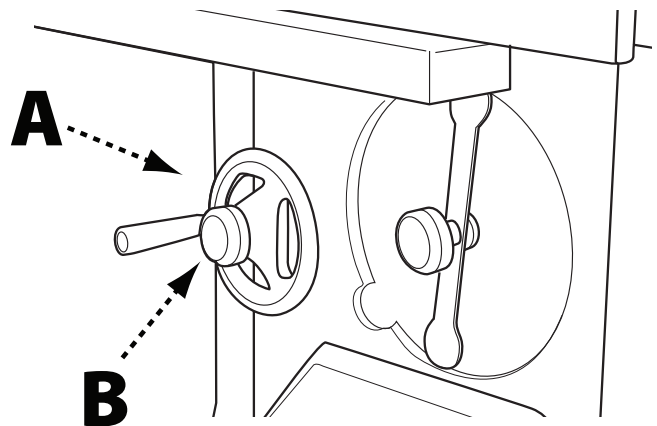


FIGURE 13

PRÉPARATION POUR COUPER (suite)

SÉLECTION ET RANGEMENT DES LAMES DE SCIE

Les couteaux diviseurs doivent être adaptés aux dimensions de la lame de scie afin de fonctionner efficacement.

La lame de scie fournie avec votre nouvelle scie est une lame combinée de 10 pouces (254 mm), utilisée pour la coupe transversale (à travers le grain) et longitudinale (dans le sens du grain) à travers la pièce. L'alésage central de la lame est de 5/8 pouces (16 mm) de diamètre. Cette lame produira une coupe de bonne qualité pour la plupart des applications.

Il existe de nombreux types de lames disponibles pour réaliser des travaux spécifiques et particuliers comme coupe transversale seulement, coupe longitudinale seulement, rainurage de contreplaqué

fin, lambrissage, etc.

Utilisez uniquement des lames de scie conçues pour des vitesses d'exploitation maximales sécuritaires de 3 600 tr/m ou plus.

Les lames de scie doivent toujours être bien affûtées. Il est recommandé de trouver un service d'affûtage réputé pour affûter vos lames lorsque cela est nécessaire.

Ne jamais empiler les lames l'une sur l'autre pour les ranger. Placer du matériau tel que du carton entre chaque lame pour les empêcher de se toucher, ou les placer dans le tiroir de rangement.

Des meules ou des lames (y compris les diamants) abrasives ne doivent pas être utilisées sur cette scie.

CHANGEMENT DE LA LAME

▲ AVERTISSEMENT :

- Utilisez seulement des lames de 10 pouces (254 mm) de diamètre avec des alésages centraux de 5/8 pouces (16 mm), évaluées à 3 600 tours par minute ou plus, avec une largeur de trait de scie minimale de 0,102 pouces (2,6 mm) et une épaisseur de corps maximale de 0,073 pouces (1,8 mm).
 - Pour réduire le risque de blessures, éteignez la machine et débranchez-la de la source d'alimentation avant d'installer et d'enlever les lames et accessoires, avant d'effectuer des ajustements et des réparations. Un démarrage inopportun peut provoquer des blessures.
1. Retirez la plaque à gorge et soulevez la lame de la scie à sa hauteur maximale.
 2. Appuyez et maintenez enfoncé le bouton de verrouillage de l'arbre (A) montré à la Figure 14.
 3. Utilisez la clé d'arbre incluse pour enlever l'écrou de fixation et la bride de la lame (B). Enlevez l'ancienne lame.
 4. Placez la nouvelle lame sur l'arbre avec les dents vers le bas lorsque la lame tourne vers l'avant de la table de sciage.
 5. Remplacez et serrez l'écrou de fixation de la lame et la bride.
 6. Remplacez la plaque à gorge.

de fixation et la bride de la lame (B). Enlevez l'ancienne lame.

4. Placez la nouvelle lame sur l'arbre avec les dents vers le bas lorsque la lame tourne vers l'avant de la table de sciage.
5. Remplacez et serrez l'écrou de fixation de la lame et la bride.
6. Remplacez la plaque à gorge.

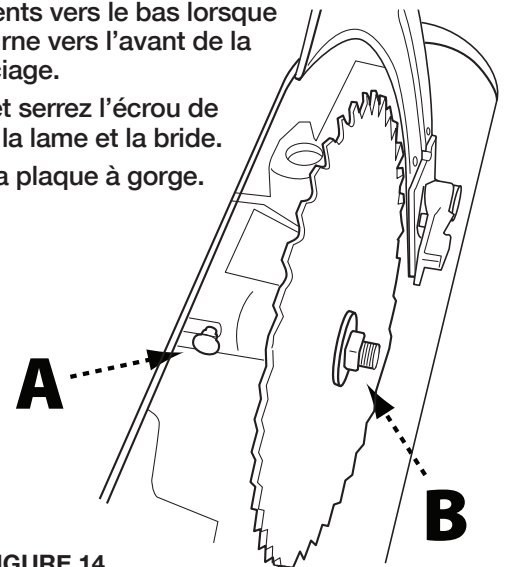


FIGURE 14

POSITION DU COUTEAU DIVISEUR

REMARQUE : Les dispositifs de sécurité, l'ensemble protège-lame et l'ensemble anti-retour ont été enlevés dans la Figure 15, afin de montrer l'emplacement des caractéristiques spécifiques. Lorsque vous utilisez la scie, ces dispositifs de sécurité doivent être en place et fonctionner correctement.

Le couteau diviseur est une plaque plane qui s'insère dans la coupe faite par la lame de la scie et permet de minimiser les rebonds en réduisant la tendance de la lame à se coincer dans la coupe. Il doit être installé et positionné correctement pour chaque coupe transversante et pour chaque coupe non transversante à moins que le couteau diviseur ne gêne la pièce.

L'épaisseur du couteau diviseur (A) doit être supérieure à celle du corps de la lame ou de la plaque (B) et inférieure à la largeur de trait de scie ou de découpe (C) comme le montre la Figure 15. Le couteau diviseur fourni avec cette scie fait 2,2 mm d'épaisseur et peut être utilisé uniquement avec une lame de 10 pouces (254 mm) pour une largeur minimale du trait de scie

de 0,102 pouces (2,6 mm) et une épaisseur maximale du corps de 0,073 pouces (1,8 mm). Ne pas essayer d'utiliser ce couteau diviseur avec des lames qui ne respectent pas ces dimensions.

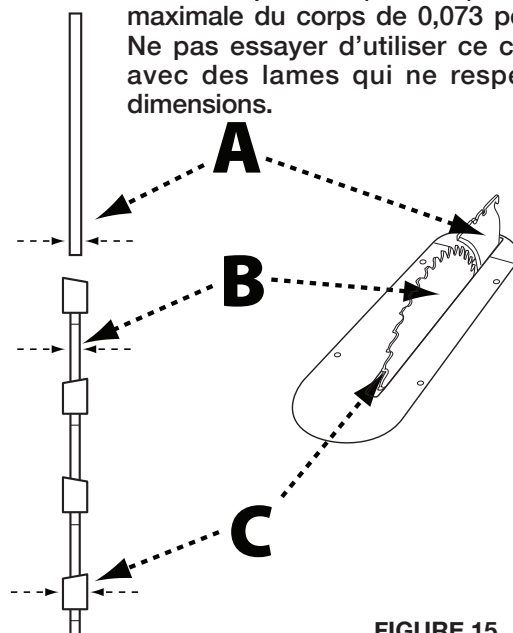


FIGURE 15

PRÉPARATION POUR COUPER (suite)

RÉGLAGES DE HAUTEUR DU COUTEAU DIVISEUR

La hauteur du couteau diviseur doit être ajustée en fonction du type de coupe effectuée. Pour toutes les coupes traversantes (lorsque le bois est complètement sectionné), il doit être en position relevée, avec les doigts anti-retour et le protège-lame installés. Pour les coupes non traversantes (lorsque la lame ne pénètre pas dans le haut de la pièce), le couteau diviseur doit être en position basse, avec les doigts anti-retour et le protège-lame enlevés.

POUR SOULEVER OU ABAISSER LE COUTEAU DIVISEUR :

1. Retirez la plaque à gorge.
2. Relevez la lame à sa hauteur maximale au-dessus de la table.
3. Tirez le levier de dégagement du couteau diviseur (A) vers le haut pour libérer le couteau diviseur du mécanisme de serrage. Voir Figure 16.
4. Poussez le couteau diviseur et le levier de dégagement sur le côté de l'arbre de la lame pour dégager le couteau diviseur des goupilles.
 - a. Pour régler le couteau diviseur en position coupe traversante, tirez le couteau diviseur vers le haut jusqu'aux goupilles de détente inférieures.
 - b. Pour déplacer le couteau diviseur en position coupe non traversante, poussez-le vers le bas jusqu'aux goupilles de détente supérieures.

REMARQUE : Lors du réglage du couteau diviseur vers le haut ou vers le bas, n'oubliez pas de tirer dans un mouvement radial, comme indiqué.

1. Dégagez le levier et tirez sur le couteau diviseur pour vous assurer qu'il est correctement installé en position relevée ou abaissée.
2. Fixez fermement le couteau diviseur en poussant le levier de serrage du couteau diviseur vers le bas à la position horizontale.
3. Remplacez la plaque à gorge.

⚠ AVERTISSEMENT : NE PAS faire fonctionner la scie à moins que le couteau

diviseur ne soit bien serré dans la position relevée pour la coupe traversante ou dans la position abaissée pour la coupe non traversante.

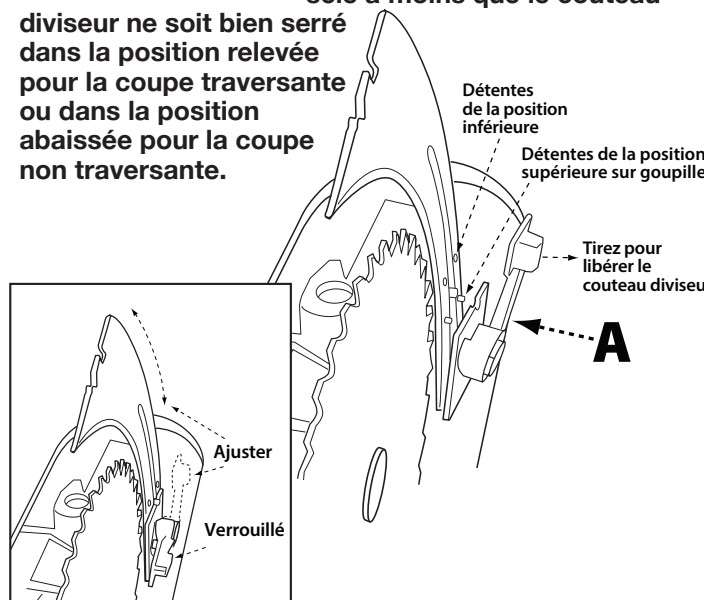


FIGURE 16

VÉRIFICATION DE L'ALIGNEMENT DU COUTEAU DIVISEUR

⚠ AVERTISSEMENT : Avant de connecter la scie de table à la source d'alimentation et d'utiliser la scie, contrôlez toujours l'alignement et le dégagement de l'ensemble protège-lame et du couteau diviseur par rapport à la lame de la scie. Vérifiez l'alignement du couteau diviseur après chaque changement de lame.

POUR VÉRIFIER L'ALIGNEMENT :

1. **Alignement horizontal :** Placez un bord droit sur la table contre la face de la lame (A) et assurez-vous qu'il s'étend le long du couteau diviseur (B), comme le montre la Figure 17a. Le couteau diviseur doit à peine toucher le bord droit. Assurez-vous que le bord droit passe entre les dents et repose sur la face de la lame et le couteau diviseur pour un alignement correct.

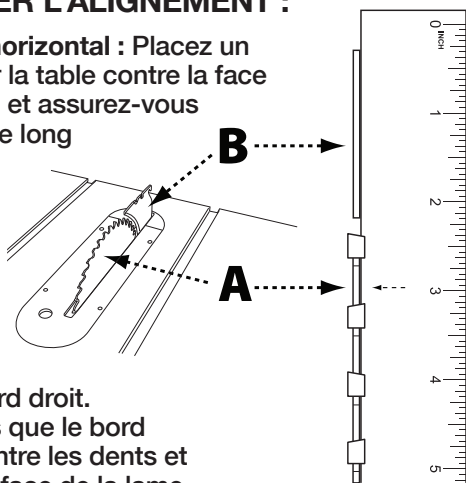


FIGURE 17a

1. **Alignement vertical :** Placez une équerre de menuisier sur la table contre la face de la lame et assurez-vous qu'elle s'étend le long du couteau diviseur (B), comme le montre la Figure 17b. Le couteau diviseur et la lame doivent toucher l'équerre de menuisier en continu. Assurez-vous que le bord droit passe entre les dents et repose sur la face de la lame et le couteau diviseur pour un alignement correct.

Si le couteau diviseur et la lame sont hors de l'alignement horizontal ou vertical, reportez-vous aux instructions d'alignement du couteau diviseur à la page 60 de ce manuel.

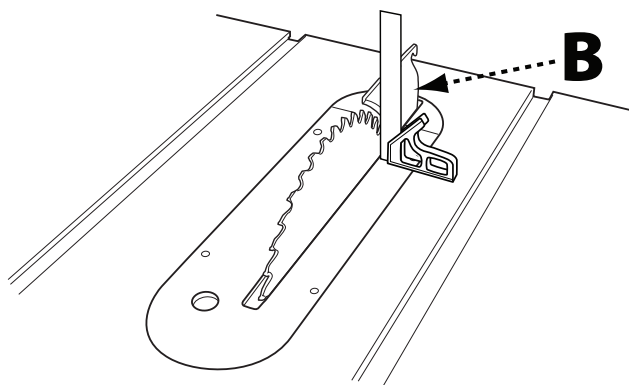


FIGURE 17b

PRÉPARATION POUR COUPER (suite)

UTILISATION DU GUIDE À ONGLETS

Le guide à onglets est équipé de butées d'indexage réglables à 90°, 75°, 60°, 45° et 30°. Pour régler l'onglet en vue d'une coupe en biseau, voir Figure 18 et :

1. Desserrez la poignée (A).
2. Appuyez sur la gâchette de pouce (B).
3. Déplacez le corps du guide à onglets à l'angle désiré.
4. Relâchez la gâchette de pouce et resserrez la poignée.

Le guide à onglets est équipé d'une rondelle sur l'extrémité de la barre qui s'insère dans la fente en T de la table. Ceci permet de tirer le guide à onglets hors du bord avant de la table sans tomber. Cela permet d'accueillir une pièce plus grande devant la lame.

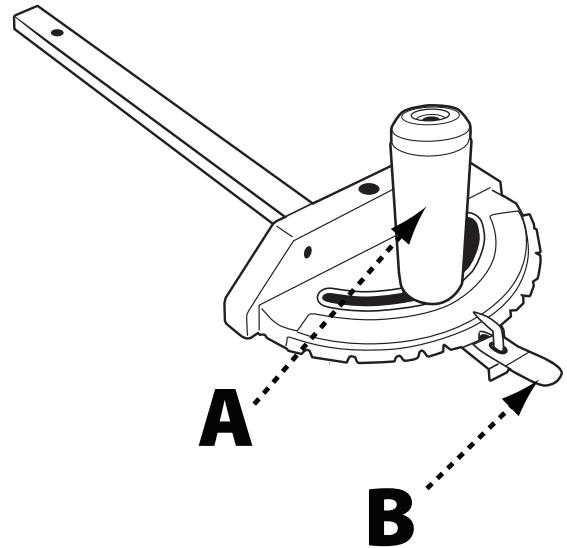


FIGURE 18

UTILISATION DE L'ENSEMBLE PROTÈGE-LAME

⚠ AVERTISSEMENT : Les doigts anti-retour et le protège-lame doivent être utilisés pour toutes les coupes traversantes. Gardez les deux écrans de protection abaissés et les bras, les mains et les doigts loin de la lame, du protège-lame et des doigts anti-retour lorsque l'alimentation est allumée afin d'éviter des blessures graves. Voir les instructions de montage à la page 45 pour l'installation et l'enlèvement corrects des doigts anti-retour et du protège-lame.

Si vous devez brièvement soulever le protège-lame (par exemple, pour effectuer une mesure) le protège-lame peut être bloqué en position surélevée.

1. Reportez-vous à la Figure 19 et, en soulevant le protège-lame par l'avant, soulevez l'écran de protection jusqu'à ce qu'il s'enclenche en position verrouillée au-dessus de la table. Vous pouvez soulever l'un ou les deux écrans de protection.
2. Lorsque vous avez terminé la mesure, remettez le protège-lame dans sa position de fonctionnement.

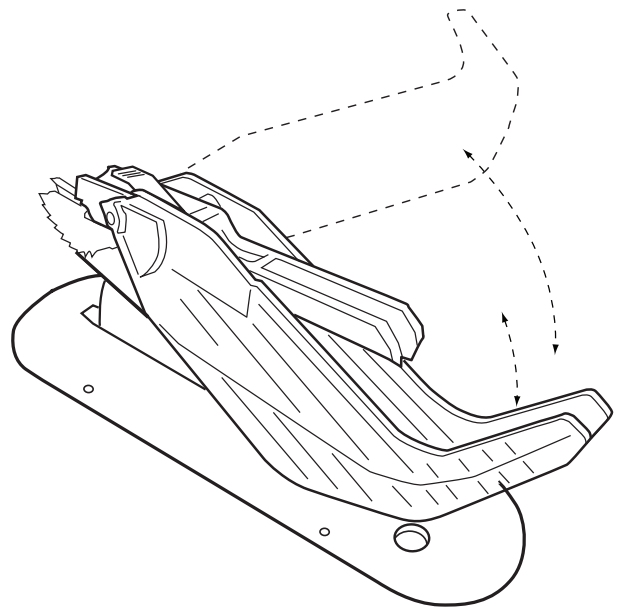


FIGURE 19

VERIFICATION DE L'ALIGNEMENT DU GUIDE

⚠ AVERTISSEMENT : N'essayez pas d'utiliser un guide longitudinal qui n'est pas aligné correctement.

Chaque fois que vous utilisez le guide longitudinal, vérifiez son alignement pour vous assurer que le guide est parallèle à la fente. Pour vérifier l'alignement de votre guide longitudinal, placez le guide adjacent à la fente et verrouillez le guide en place. Si le guide n'est pas aligné sur la fente de l'avant à l'arrière, consultez les instructions pour aligner le guide longitudinal à la page 61 de ce manuel. Si vous n'arrivez pas à aligner le guide longitudinal, remplacez le guide longitudinal ou appelez le 1-800-223-7278 pour de plus amples instructions.

FONCTIONNEMENT

⚠ AVERTISSEMENT : Le non-respect des avertissements suivants peut entraîner des blessures graves.

LIRE LE MANUEL EN ENTIER. En plus de lire ces instructions de fonctionnement, il est important de lire et comprendre le manuel en entier avant d'utiliser cette scie. Suivez toutes les instructions en vigueur concernant l'assemblage, la préparation et l'ajustement avant d'effectuer des coupes et conformez-vous à toutes les règles de sécurité et tous les avertissements dans cette section et dans le reste de ce manuel.

1. Chaque fois que vous utilisez la scie, parcourez la liste de vérification suivante :

- La source d'alimentation et les raccordements électriques sont-ils adaptés à la scie?
- La scie et la zone de travail sont-elles libres de tout encombrement et de spectateurs?
- La lame est-elle bien serrée et bien alignée?
- L'épaisseur du couteau diviseur correspond-elle à la lame?
- La lame et le couteau diviseur sont-ils correctement alignés?
- L'opérateur est-il qualifié pour effectuer des coupes et s'est-il familiarisé avec l'ensemble des règles, avertissements et instructions de sécurité figurant dans ce manuel?
- L'opérateur et les autres personnes se trouvant à proximité de la scie portent-ils des équipements de protection oculaire, auditive et respiratoire adéquats?
- Les boutons de réglage de l'angle de biseau et de la hauteur sont-ils verrouillés dans la bonne position?
- La lame est-elle réglée à la bonne hauteur?
- En cas de coupes longitudinales, le guide longitudinal est-il parallèle à la lame et est-il bien verrouillé en position?
- En cas de coupes transversales, le bouton du guide à onglets est-il bien serré?
- En cas de coupes traversantes avec une lame standard, le protège-lame, le couteau diviseur et les doigts anti-retour sont-ils correctement reliés et fonctionnent-ils correctement avec les deux protèges-lame en contact avec la surface de la table?
- Y a-t-il un dégagement et un soutien adéquats pour la pièce lorsqu'elle quitte la lame?
- Des accessoires de coupe sont-ils nécessaires? Si oui, sont-ils en place ou à portée de main pour une utilisation correcte?

2. L'utilisation de pièces et accessoires non recommandés par DELTA® Power Equipment Corporation peut entraîner des blessures.
3. Remplacez ou affûtez les doigts anti-retour lorsque les pointes deviennent ternes.
4. Assurez-vous que la scie est stable et que la coupe peut être réalisée sans renverser la scie. N'essayez pas de couper de grandes pièces sans fixer la scie à une surface stable. Pour fixer correctement la scie, voir les instructions dans la section intitulée Fixer la scie au sol à la page 47 de ce manuel.
5. Ne jamais utiliser la butée et le guide à onglets en même temps sans l'aide d'un bloc coupée, comme décrit précédemment.
6. La plaque à gorge appropriée doit être en place en permanence.
7. Si votre scie produit un bruit étrange ou si elle vibre excessivement, arrêtez-la immédiatement jusqu'à ce que la cause soit localisée et le problème corrigé.
8. Ne jamais effectuer de coupe à main levée, coupe en plongée, recoupe ou coupe courbée.

ÉVITER LE REBOND

Un rebond peut se produire lorsque la pièce pince la lame ou se coince entre la lame et le guide longitudinal ou tout autre élément fixe. Cela peut entraîner le soulèvement et/ou la projection de la pièce vers l'opérateur. Voir les instructions pour réduire le risque de rebond à la page 38 de ce manuel.

EN CAS DE REBOND, éteignez la scie (« OFF ») et vérifiez le bon alignement de la lame, du couteau diviseur et du guide à onglets ou du guide longitudinal et le bon fonctionnement du couteau diviseur, de l'ensemble anti-retour et de l'ensemble protège-lame avant de reprendre le travail.

DÉMARRAGE ET ARRÊT DE LA SCIE

Le commutateur POWER (MARCHE / ARRÊT) (Figure 20) est situé sous la rallonge avant gauche de la table.

1. Pour allumer la scie (« ON »), tirez l'interrupteur à palette rouge (A) vers le haut et vers vous.
2. Pour éteindre la scie (« OFF »), enfoncez l'interrupteur à palette rouge.

Lorsqu'elle n'est pas utilisée, la scie doit être éteinte et le commutateur d'alimentation verrouillé pour empêcher toute utilisation non autorisée. Pour verrouiller le commutateur d'alimentation, utilisez un cadenas à arceau long standard, avec un arceau d'au moins 2 ¾ pouces (70 mm) de longueur et avec des tiges d'arceau ne dépassant pas 9/32 pouces (7 mm) d'épaisseur.

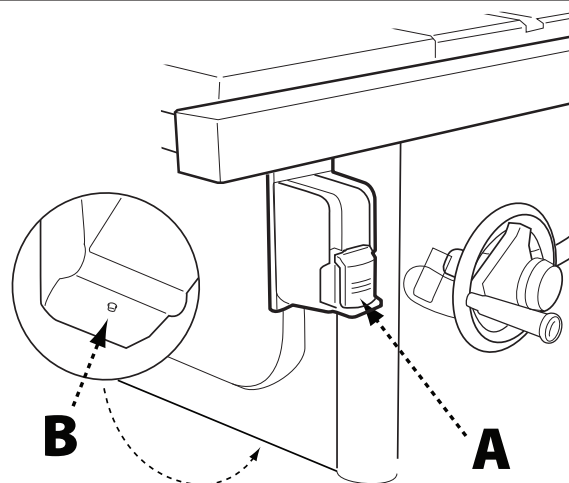


FIGURE 20

PROTECTION DE SURCHARGE

Votre scie est livrée avec une protection contre les surcharges. Si le moteur s'arrête ou ne parvient pas à démarrer en raison d'une surcharge (découpe trop rapide, utilisation d'une lame émoussée, utilisation de la scie au-delà de sa capacité, etc.) ou une basse tension, laissez le moteur refroidir trois à cinq

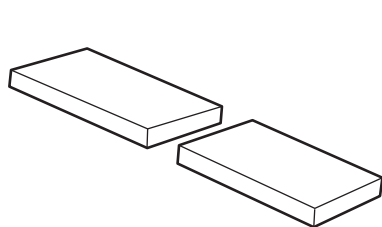
minutes. Puis appuyez sur le bouton de réinitialisation rouge (B) sur le moteur sous la scie, montré à la Figure 20, et redémarrez la scie.

AVIS : Si le moteur s'arrête régulièrement en raison d'une surcharge, contactez un électricien qualifié.

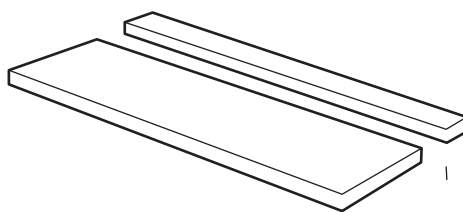
EFFECTUER DES COUPES

⚠ AVERTISSEMENT : Le non-respect des avertissements suivants peut entraîner des blessures graves.

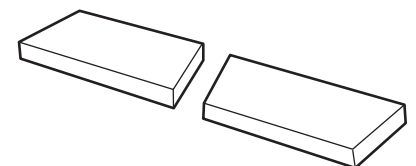
- Ne jamais toucher l'extrémité libre de la pièce ou une pièce libre qui est coupée, pendant que la machine est sous tension et/ou la lame tourne. Le contact avec la lame ou un coincement peuvent se produire, entraînant la projection de la pièce.
- Lorsque vous sciez une pièce longue ou un panneau, utilisez un support de travail, comme un chevalet de sciage, des rouleaux ou une table de sortie à la même hauteur que la surface de la table de sciage.
- Ne jamais essayer de retirer la pièce pendant que la lame tourne. Si vous avez besoin de retirer la pièce ou de la soulever hors de la table, coupez le contact, laissez la lame s'arrêter, soulevez les dents anti-retour de chaque côté du couteau diviseur, si nécessaire, puis faites glisser la pièce pour la sortir.
- Avant de connecter la scie sur table à la source d'alimentation ou de faire fonctionner la scie, contrôlez toujours l'alignement et le dégagement de l'ensemble protège-lame et du couteau diviseur par rapport à la lame de la scie. Vérifiez l'alignement après chaque changement de l'angle de biseautage.
- Un guide longitudinal doit TOUJOURS être utilisé pour les opérations longitudinales afin d'éviter la perte de contrôle et les blessures. Toujours verrouiller la butée au rail. Ne JAMAIS effectuer une opération longitudinale à main levée.
- Lorsque vous effectuez des coupes en biseau, placez la butée sur le côté droit de la lame de sorte que la lame soit inclinée à l'opposé de la butée et des mains. Gardez les mains éloignées de la lame et utilisez un poussoir pour faire avancer la pièce à moins que la pièce soit assez grande pour vous permettre de la tenir à plus de 6 pouces (152 mm) de la lame.
- Avant de laisser la scie sans surveillance, verrouillez le commutateur d'alimentation ou prenez d'autres mesures appropriées pour empêcher toute utilisation non autorisée de la scie.



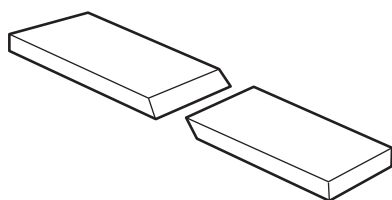
Coupe transversale



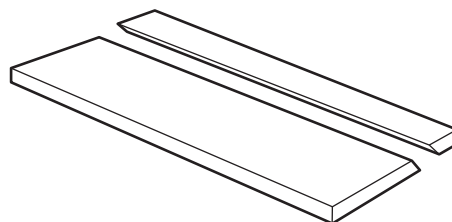
Coupe longitudinale



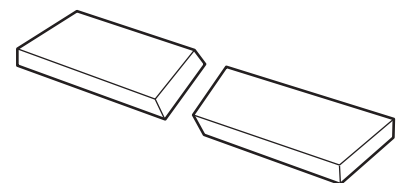
Coupe transversale d'onglets



Coupe transversale en biseau



Coupe longitudinale en biseau



Coupe d'onglets composée

COUPES LONGITUDINALES

1. Retirez le guide à onglets
2. Assurez-vous que l'angle de biseau est réglé sur 0° .
3. Réglez la lame à la hauteur correcte pour la pièce.
4. Installez le guide longitudinal et verrouillez-le parallèlement à la lame et à la distance désirée de la lame.
5. Gardez les doigts à au moins 6 pouces (152,39 mm) de la lame en permanence. Lorsqu'il est impossible de passer la main en toute sécurité entre la lame et le guide longitudinal, choisissez une pièce plus grande ou utilisez un poussoir et d'autres accessoires de coupe, au besoin, pour contrôler la pièce.
6. Assurez-vous que la pièce est éloignée de la lame (au moins 1 pouce ou 25 mm de distance) avant de démarrer la scie
7. Allumez la scie.
8. Maintenez la pièce à plat sur la table et contre le guide (A). La pièce doit avoir un bord droit contre le guide et ne doit pas être déformée, tordue ou courbée. Voir la position correcte des mains dans la Figure 21.
9. Laissez la lame atteindre sa pleine vitesse avant de déplacer la pièce vers la lame.
10. Il est possible d'utiliser les deux mains pour débiter la coupe, aussi longtemps que les mains restent à 6 pouces (152,39 mm) de la lame.
11. Maintenez la pièce contre la table et le guide et déplacez lentement la pièce vers l'arrière à travers la lame de la scie. Ne surchargez pas le moteur en forçant la pièce vers la lame.

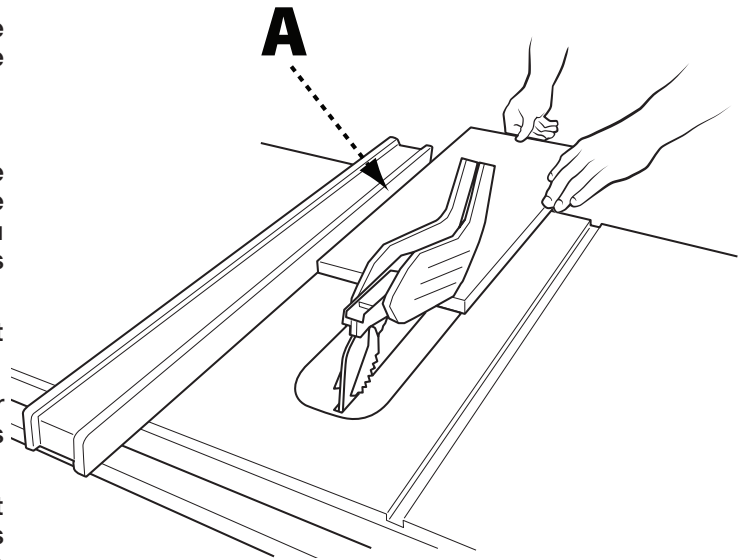


FIGURE 21

COUPE EN BISEAU

La coupe en biseau est identique à la coupe simple, sauf que l'angle de biseau (A) est réglé sur un angle autre que 0° . Lorsque vous effectuez une coupe longitudinale en biseau, placez la butée sur le côté droit de la lame de sorte que la lame soit inclinée à l'opposé de la butée et des mains.

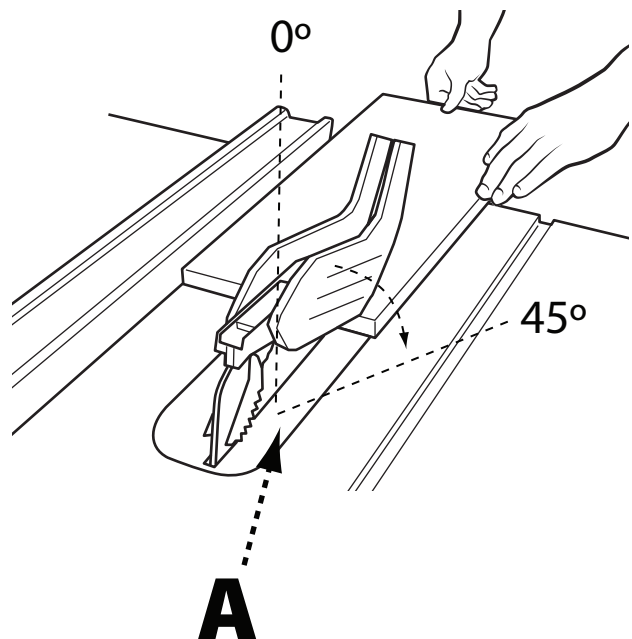


FIGURE 22

COUPE TRANSVERSALE

⚠ AVERTISSEMENT :

- NE JAMAIS utiliser le guide comme une butée longitudinale lors des coupes transversales.
- La pièce coupée ne doit jamais être coincée pendant une opération de coupe traversante (couper complètement à travers la pièce) - pour empêcher le pincement de la lame, ce qui pourrait entraîner la projection de la pièce et des blessures potentielles.
- Lorsque vous utilisez un bloc comme une jauge de coupure, le bloc doit faire au moins $\frac{3}{4}$ pouces (19 mm) d'épaisseur. Il est très important que l'extrémité arrière du bloc soit fixée dans une position où la pièce est éloignée du bloc avant son entrée dans la lame pour éviter le coincement de la pièce.

Vous pouvez utiliser le guide à onglets dans l'une des fentes de la table pour les coupes pas en biseau. Pour augmenter la surface du revêtement du guide à onglets, ajoutez un revêtement auxiliaire (voir la section Accessoires de coupe à la page 58 de ce manuel).

Pour effectuer une coupe transversale, reportez-vous à la Figure 23 et suivez ce processus :

1. Retirez le guide longitudinal.
2. Assurez-vous que l'angle de biseau est réglé sur 0° .
3. Réglez la lame à la hauteur correcte pour la pièce.
4. Placez le guide à onglets dans l'une des fentes d'onglet.
5. Réglez le guide à onglets sur 0° et serrez le bouton de verrouillage du guide à onglets
6. Les mains doivent rester à au moins 6 pouces (152,39 mm) de la lame tout au long de la coupe. Si la pièce est trop petite pour garder les mains à au moins 6 pouces de la lame, choisissez une pièce plus grande ou fixez un revêtement auxiliaire au guide à onglets et fixez la pièce au revêtement

7. Assurez-vous que la pièce est éloignée de la lame - au moins 1 pouce ou 25 mm de distance - avant de démarrer la scie.
8. Allumez la scie.
9. Laissez la lame atteindre sa pleine vitesse avant de déplacer la pièce vers la lame.
10. La main la plus proche de la lame doit être placée sur le bouton de verrouillage du guide à onglets et la main la plus éloignée de la lame doit tenir fermement la pièce contre le revêtement du guide à onglets. Ne poussez pas et ne tenez pas l'extrémité libre ou coupée de la pièce.
11. Poussez lentement la pièce en arrière à travers la lame de la scie. Ne surchargez pas le moteur en forçant la pièce vers la lame.
12. Quand la coupe est terminée, éteignez la scie. Attendez que la lame s'arrête complètement avant d'enlever la pièce coupée de la table.

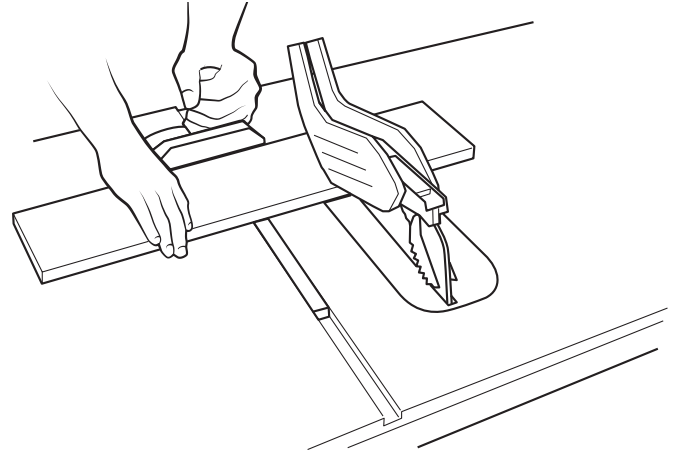


FIGURE 23

COUPE TRANSVERSALE EN BISEAU

La coupe transversale en biseau est identique à la coupe transversale simple, sauf que l'angle de biseau (A) est réglé sur un angle autre que 90° . Lors d'une coupe transversale en biseau, placez le guide à onglets dans la fente droite de sorte que la lame soit inclinée à l'opposé du guide et des mains. Voir Figure 24.

COUPES D'ONGLETS

Les coupes d'onglet sont des coupes transversales avec le guide à onglets réglé sur un angle autre que 90° . Pour des instructions sur la configuration des angles du guide à onglets, voir Préparation pour couper. Pour ajuster les butées d'onglet d'indexage pré-réglées, voir Réglage des butées d'onglets à la page 60 de ce manuel.

⚠ AVERTISSEMENT :

- Les angles d'onglet inférieurs à 45° peuvent forcer l'ensemble protège-lame dans la lame de la scie, pouvant endommager l'ensemble protège-lame et causer des blessures. Avant de démarrer le moteur, vérifiez le fonctionnement en faisant avancer la

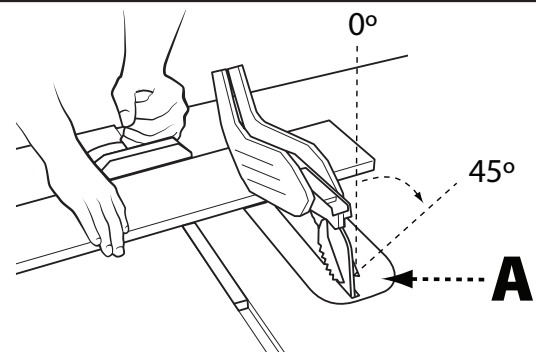


FIGURE 24

pièce dans l'ensemble protège-lame. Si l'ensemble protège-lame entre en contact avec la lame, placez la pièce sous l'ensemble protège-lame, mais pas au contact de la lame - avant de démarrer le moteur.

- Certaines formes de pièces, telles que le moulage, peuvent ne pas soulever l'ensemble protège-lame correctement. Avec l'alimentation coupée, faites avancer lentement la pièce dans la zone du protège-lame jusqu'à ce que la pièce touche la lame. Si l'ensemble protège-lame entre en contact avec la lame, placez la pièce sous l'ensemble protège-lame, mais pas au contact de la lame - avant de démarrer le moteur.

COUPES D'ONGLETS COMPOSÉES

Il s'agit d'une combinaison entre coupe transversale en biseau et coupe d'onglets. Voir Figure 25 et suivre les instructions à la fois pour les coupes transversales en biseau et les coupes d'onglets. N'oubliez pas d'utiliser la fente à droite pour toutes les coupes en biseau.

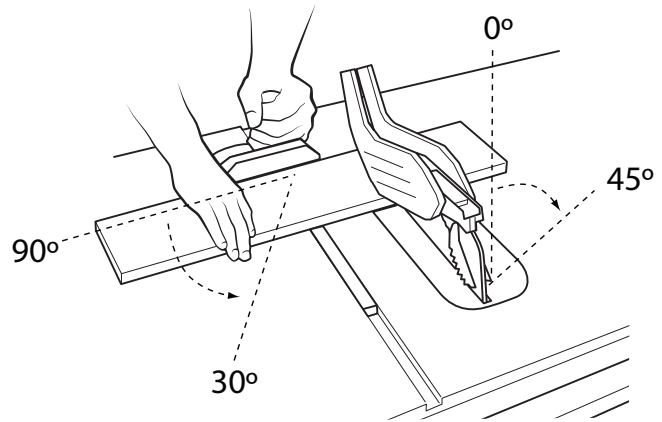


FIGURE 25

COUPES DE GRANDS PANNEAUX

Placez les supports de pièce à la même hauteur que la table de sciage derrière la scie pour soutenir la pièce coupée et sur le(s) côté(s) de la scie, selon les besoins. Selon la forme du panneau, utilisez le guide longitudinal ou le guide à onglets pour contrôler la pièce. Si une pièce est trop grande pour utiliser un guide longitudinal ou un guide à onglets, elle est trop grande pour cette scie.

RAINURAGES ET AUTRES COUPES NON TRAVERSANTES

L'utilisation d'une coupe non traversante est essentielle pour couper des rainures, feuillures et entailles. Les coupes non traversantes peuvent être réalisées avec une lame standard ayant un diamètre de 10 pouces (254 mm) ou moins, ou avec une lame à fentes jusqu'à 13/16 pouces (20,63 mm) de largeur avec un diamètre de 8 pouces (203,2 mm) ou moins. Les coupes non traversantes sont le seul type de coupes à effectuer sans l'ensemble protège-lame installé. Assurez-vous que l'ensemble protège-lame est réinstallé à la fin de ce type de coupe.

⚠ AVERTISSEMENT :

- Pour effectuer des coupes non traversantes, suivez tous les avertissements et les instructions indiqués ci-dessous en plus de ceux énumérés ci-dessus pour la coupe traversante concernée.
- Lorsque vous effectuez une coupe non traversante, la lame est couverte par la pièce pendant la majeure partie de la coupe. Faites attention à la lame exposée au début et à la fin de chaque coupe.
- Ne faites jamais avancer le bois avec les mains lorsque

vous effectuez des coupes non traversantes, comme des feuillures ou des rainurages. Utilisez toujours le guide à onglets, des blocs poussoirs ou des poussoirs et des planches à languettes le cas échéant.

- Lisez la section appropriée qui décrit le type de coupe, en plus de cette section sur les coupes non traversantes ou de rainurage. Par exemple, si votre coupe non traversante est une coupe transversale droite, vous devez lire et comprendre la section relative aux coupes transversales droites avant de poursuivre.
- Une fois que toutes les coupes de rainurage et non traversantes sont terminées, débranchez la scie et réinstallez le couteau diviseur ou remettez-le en position surélevée. Installez les doigts anti-retour et le protège-lame.
- Suivez attentivement les instructions accompagnant les lames spécialisées telles que des lames de rainurage et des coupeurs de moulage pour l'installation, la mise en place et le fonctionnement adéquats.

EFFECTUER UNE COUPE NON TRAVERSANTE

1. Débranchez la scie.
2. Déverrouillez le levier de desserrage.
3. Ajustez l'angle de biseau à 0°.
4. Verrouillez le levier de desserrage.
5. Retirez le protège-lame et les doigts anti-retour.
6. Placez le couteau diviseur en position « abaissée ». (Voir la section POSITION DU COUPEAU DIVISEUR à la page 50)
7. Réglez la lame sur la profondeur correcte pour la pièce. Voir les instructions ci-dessous pour l'utilisation de lames de rainurage et d'autres lames spécialisées.
8. Selon la forme et la taille du bois, utilisez le guide longitudinal ou le guide à onglets.
9. Branchez la scie dans la source d'alimentation et allumez la scie.
10. Laissez la lame atteindre sa pleine vitesse avant de déplacer la pièce vers la lame.
11. Utilisez toujours des blocs poussoirs, des poussoirs et/ou des planches à languettes lors de coupes non traversantes pour réduire le risque de blessures graves.
12. Quand la coupe est terminée, éteignez la scie. Attendez que la lame s'arrête complètement avant de retirer la pièce.

Si une coupure de rainurage profonde est nécessaire, utilisez plusieurs passages successifs plutôt qu'essayer d'effectuer la coupe en un seul passage.

EFFECTUER UNE COUPE DE RAINURAGE

Les lames de rainurage sont des lames empilées qui peuvent être utilisées dans les coupes non traversantes, y compris des fentes de coupe traversante. Les lames de rainurage nécessitent une plaque à gorge spéciale. Les lames de rainurage et les plaques à gorge sont toutes vendues séparément.

⚠ AVERTISSEMENT :

- Suivez attentivement les instructions accompagnant la lame de rainurage pour une installation, une mise en place et un fonctionnement adéquats. Des guides supplémentaires sont disponibles sur des sites Web et publications dédiés au travail du bois et à la menuiserie.
- N'essayez pas d'empiler des lames de rainurage dont l'épaisseur est supérieure à $1\frac{3}{16}$ pouces (20,64 mm) N'utilisez pas de lames de rainurage de plus de 8 pouces (200 mm) de diamètre.
- Le couteau diviseur et les ensembles protège-lame ne peuvent pas être utilisés lors du rainurage. Ils doivent être enlevés comme décrit dans la section Utilisation du couteau diviseur et du protège-lame. Soyez EXTRÊMEMENT prudent lorsque vous utilisez la lame de rainurage sans l'ensemble protège-lame et le couteau diviseur.
- Utilisez des poussoirs, des serre-tôles, des gabarits, des montages ou des planches à languettes pour aider à guider et contrôler la pièce lorsque le protège-lame ne peut pas être utilisé.
- Veillez à réinstaller le couteau diviseur, les doigts anti-retour, le protège-lame et la plaque à gorge

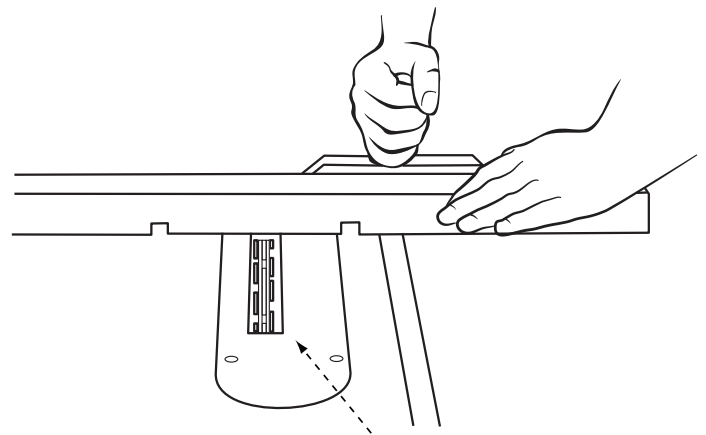


FIGURE 27

standard et vérifiez les réglages lorsque les coupes de rainurage sont terminées.

- La plaque à gorge accessoire à tête de rainurage, illustrée à la Figure 27, doit être utilisée à la place de la plaque à gorge standard. Assurez-vous que la plaque à gorge est au niveau de la table avant de poursuivre.
- Vérifiez toujours le dégagement des lames de rainurage par rapport aux autres composants avant de brancher la scie.
- Ne jamais tenter d'utiliser la tête de rainurage dans une position de biseau.

REMARQUE : La bride d'arbre externe standard ne peut pas être utilisée avec certaines combinaisons de lames de rainurage. Dans ce cas, serrez l'écrou à arbre directement sur l'ensemble de lames de rainurage. Gardez la bride à arbre externe pour une utilisation avec d'autres lames et combinaisons de rainurage.

ACCESSOIRES DE COUPE ET ACCESSOIRES

POUSSOIR

Pour faire fonctionner votre scie de table en toute sécurité, vous devez utiliser un poussoir si, en raison de la taille ou la forme de la pièce, vos mains se trouveraient à moins de 6 pouces (152 mm) de la lame de la scie ou de tout autre outil de coupe. Un poussoir est inclus avec cette scie.

Il n'est pas nécessaire d'utiliser un bois spécial pour fabriquer des poussoirs supplémentaires tant qu'il est suffisamment robuste et long, ne comporte pas de nœuds, gerces ou fissures. Une longueur d'environ 16 pouces (400 mm) est recommandée avec une encoche qui s'adapte contre le bord de la pièce pour éviter les glissements. Il est pratique d'avoir sous la main plusieurs poussoirs de 16 pouces (400 mm) de long avec des encoches de différentes tailles pour s'adapter à différentes épaisseurs de pièce.

La forme peut varier en fonction de vos propres besoins tant qu'elle exerce sa fonction prévue de garder vos mains à distance de la lame. Incliner l'encoche de sorte que le poussoir puisse être maintenu à un angle de 20 à 30 degrés de la table de sciage vous aidera à maintenir la pièce tout en déplaçant la scie.

Pour fabriquer un poussoir, reportez-vous au schéma indiqué dans la Figure 28.

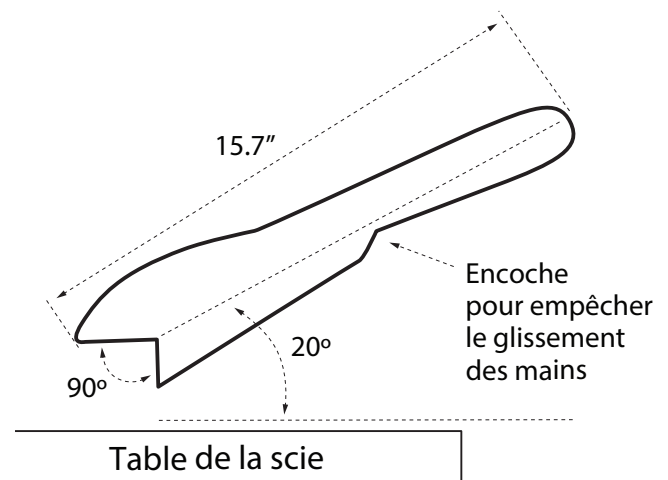


FIGURE 28

REVÊTEMENT AUXILIAIRE DU GUIDE LONGITUDINAL

Utilisez un revêtement auxiliaire du guide longitudinal en cas de besoin pour des coupes spéciales, telles que les coupes longitudinales d'un matériau qui est assez mince pour glisser sous le guide longitudinal fourni avec votre scie ou quand un guide longitudinal plus haut est nécessaire pour finaliser votre coupe. Pour ajouter un revêtement auxiliaire en bois sur l'un ou les deux côtés du guide longitudinal, choisissez un morceau de bois avec des surfaces lisses. Fixez le bois au guide longitudinal avec deux pinces. (Voir Figure 29) Pour la plupart des travaux, une dimension de $\frac{3}{4}$ pouces (19 mm) ou d'1 pouce (25 mm) est appropriée.

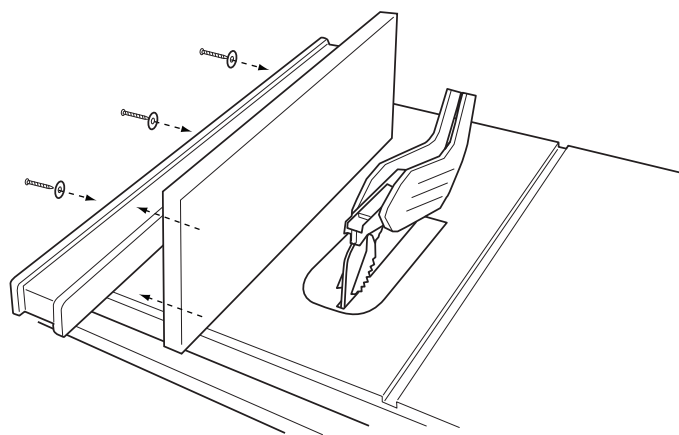


FIGURE 29

REVÊTEMENT AUXILIAIRE DU GUIDE À ONGLETS

Un revêtement auxiliaire du guide à onglets est utilisé pour augmenter la surface du revêtement du guide à onglets.

Si vous le souhaitez, vous pouvez doter le guide à onglets d'un revêtement auxiliaire en bois qui devrait être d'au moins 1 pouce (25 mm) plus élevé que la profondeur de coupe maximale et au moins aussi large que le guide à onglets.

Ce revêtement auxiliaire en bois peut être fixé à l'avant du guide à onglets par deux vis à bois à travers les trous (A) fournis dans le corps du guide à onglets et dans le revêtement en bois. Voir Figure 30. Assurez-vous que les vis sont suffisamment longues pour fixer le revêtement, mais sans traverser le bois.

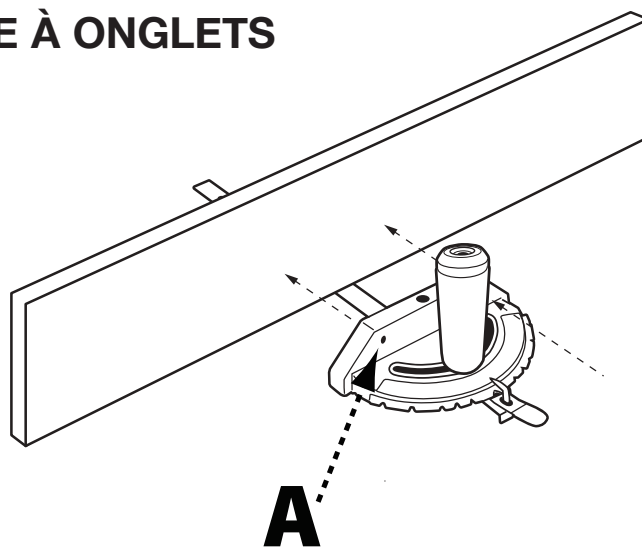


FIGURE 30

BLOC POUSSOIR

1. Choisissez un morceau de bois d'environ 4 pouces (101,6 mm) de largeur, 6 pouces (152,39 mm) de longueur et 1 à 2 pouces (25,4 à 50,8 mm) d'épaisseur (une chute d'une planche de 2 par 4 est idéale pour se fabriquer un bloc poussoir).
2. Percez un trou dans le bloc et collez-y une cheville qui servira de poignée (vous pouvez incliner le trou afin d'obtenir une prise en main plus confortable de la poignée).
3. Collez un morceau de matériau mou ou rugueux tel que du papier de verre ou du caoutchouc à la partie inférieure du bloc pour prendre en main la pièce (les vieux tapis de souris fonctionnent bien). Voir Figure 31.

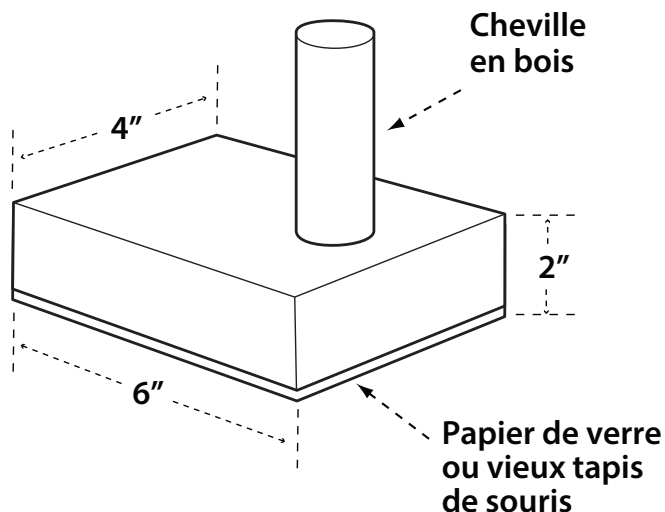


FIGURE 31

PLANCHE À LANGUETTES

Les planches à languettes sont utilisées pour maintenir la pièce en contact avec le guide et la table (Figure 32) et aider à éviter les rebonds. Les planches à languettes sont particulièrement utiles lors de la coupe longitudinale de petites pièces et pour finaliser des coupes non traversantes. L'extrémité est inclinée avec une série de fentes étroites pour donner une prise de frottement sur la pièce. Elle est verrouillée en place sur la table ou le guide avec un serre-joint.

⚠ AVERTISSEMENT : Pour éviter un coincement entre la pièce et la lame, assurez-vous qu'une planche à languettes horizontale appuie uniquement sur la partie non coupée de la pièce en face de la lame.

Les dimensions pour construire une planche à languettes typique sont présentées dans la Figure 32. Construisez votre planche à languettes à partir d'un morceau de bois droit qui est exempt de nœuds et de fissures. Serrez les planches à languettes au guide et/ou à la table de sorte que la planche à languettes tiende la pièce contre le guide ou la table.

1. Choisissez un morceau de bois d'environ $\frac{3}{4}$ pouce d'épaisseur, 2 $\frac{1}{2}$ pouces de large et 12 pouces de long.
2. Marquez la largeur du centre sur une extrémité du morceau. Largeur d'onglet à 70° (voir la section Coupe d'onglet pour des informations sur les coupes d'onglet).
3. Réglez le guide longitudinal pour permettre la découpe d'un « doigt » d'environ $\frac{1}{4}$ pouce (6,35 mm) dans le morceau.
4. Faites avancer le morceau seulement jusqu'au marquage indiqué précédemment à 6 pouces (152,39 mm).
5. Éteignez la scie et laissez la lame s'arrêter complètement avant de retirer le morceau.
6. Ajustez le guide et effectuez des coupes longitudinales dans la pièce pour obtenir des entailles d'environ $\frac{1}{4}$ pouce (6,35 mm), séparées de $\frac{1}{8}$ pouce (3,17 mm).

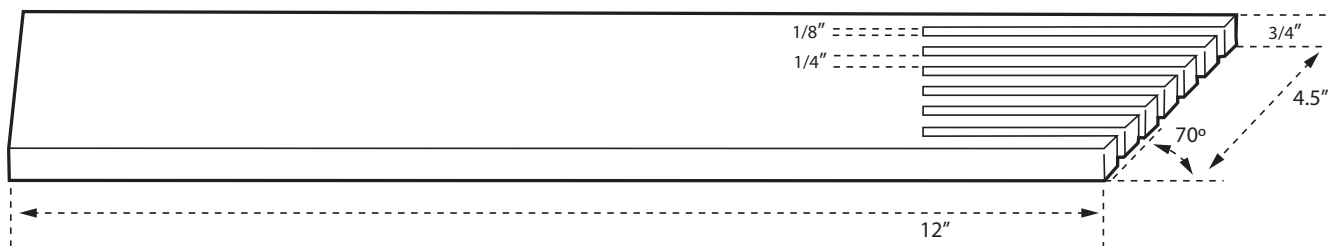


FIGURE 32

JAUGE DE COUPURE

Lorsque vous coupez transversalement un certain nombre de pièces à la même longueur, vous pouvez serrer un bloc de bois (A) (voir Figure 33) au guide et l'utiliser comme une jauge de coupe. Le bloc (A) doit faire au moins $\frac{3}{4}$ pouce (19 mm) d'épaisseur pour empêcher le coincement de la pièce coupée entre la lame et le guide. Une fois que la longueur de coupe est déterminée, verrouillez le guide et utilisez le guide à onglets pour faire avancer la pièce dans la lame.

⚠ AVERTISSEMENT : Positionnez toujours la jauge de coupe en face de la lame de scie.

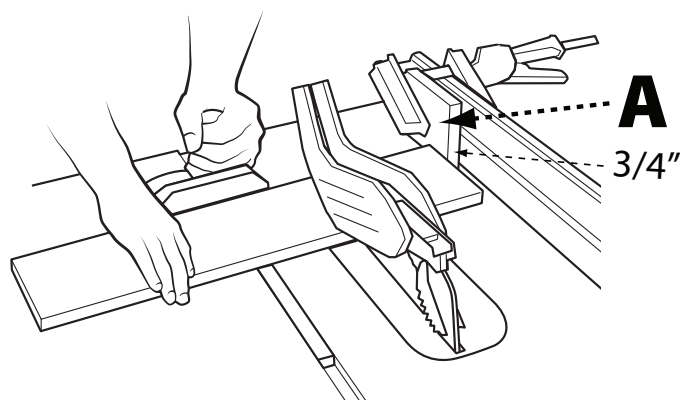


FIGURE 33

GABARITS

Il est possible de créer des gabarits avec diverses configurations spéciales pour contrôler des formes particulières de pièces pour des coupes particulières. Des conseils sur la façon de fabriquer des gabarits spécialisés sont disponibles dans les sites Web et les publications dédiés au travail du bois et à la menuiserie.

⚠ AVERTISSEMENT : N'essayez pas de créer ou d'utiliser un gabarit si vous n'êtes pas parfaitement familier avec la sécurité de la scie de table. N'utilisez pas de gabarits qui pourraient causer un pincement du trait de scie ou un coincement de la pièce entre le gabarit et la lame. Les installations incorrectes peuvent causer un rebond qui pourrait entraîner des blessures graves.

ALIGNEMENT

ALIGNEMENT DU COUTEAU DIVISEUR DIVISEUR AVEC LA LAME

L'alignement entre le couteau diviseur et la lame est réglé à l'usine et, dans la plupart des cas, n'aura pas besoin d'être ajusté. Toutefois, l'alignement doit toujours être vérifié après l'installation de la lame ou du couteau diviseur et peut être ajusté si nécessaire. Si le couteau diviseur n'est pas aligné avec la lame, un ajustement est nécessaire. Le couteau diviseur doit être aligné d'avant en arrière (horizontalement) et de haut en bas (verticalement).

Pour ajuster l'alignement du couteau diviseur, voir Figure 34 et procéder comme suit :

1. Retirez la plaque à gorge, l'ensemble protège-lame et l'ensemble anti-retour.
2. Relevez la lame à sa pleine profondeur de coupe et réglez l'angle d'inclinaison sur 0°.
3. Soulevez le couteau diviseur à sa position de coupe transversante, c'est-à-dire la plus haute.
4. Desserrez légèrement les deux vis d'assemblage à six pans creux (C).
5. Placez le bord droit contre la face de la lame et le couteau diviseur comme indiqué pour vérifier l'alignement horizontal (voir Figure 17a, page 50).
6. Ajustez les vis de pression (A) pour déplacer le couteau diviseur en ligne avec la lame selon sa position lorsque vous avez vérifié l'alignement ci-dessus.
7. Placez le bord droit de l'autre côté de la lame. Les deux côtés du couteau diviseur doivent être dans l'épaisseur du corps de la lame.
8. S'il n'est pas possible d'aligner les deux côtés du couteau diviseur dans l'épaisseur du corps de la lame, vous devez utiliser une lame de taille différente. Voir Sélection de la lame à la page 49.
9. Serrez les deux vis d'assemblage à six pans creux.
10. Placez une équerre de menuisier sur la table contre la face de la lame et le couteau diviseur comme indiqué pour vérifier l'alignement vertical (voir Figure 17b, page 50). Ensuite, vérifiez si le

couteau diviseur est perpendiculaire à la table et en ligne avec la face de la lame.

11. Si nécessaire, utilisez les vis de pression (D) pour aligner le couteau diviseur avec la face de la lame et l'équerre.
12. Serrez à fond les deux vis d'assemblage à six pans creux.
13. Remplacez la plaque à gorge, l'ensemble protège-lame et l'ensemble anti-retour avant l'utilisation.

⚠ AVERTISSEMENT : En cas de traînement ou de coincement de la pièce lorsqu'elle atteint le couteau diviseur, éteignez la machine, débranchez-la de la source d'alimentation et réajustez l'alignement du couteau diviseur / de la lame ou remplacez la lame. Ne tentez jamais d'enlever la pièce partiellement coupée de la lame tandis que la lame est en mouvement.

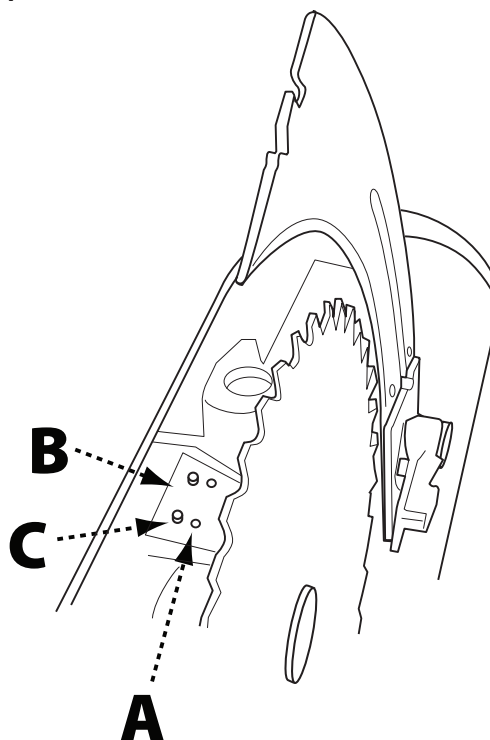


FIGURE 34

AJUSTEMENT DES BUTÉES D'ONGLETS

Pour ajuster les butées d'indexage pour des angles autres que 90°, 75°, 60°, 45° et 30° :

1. Desserrez la poignée du guide à onglets.
2. Desserrez les deux vis pour le segment de butée d'onglet pour le nouvel angle désiré. (A) est représenté dans la Figure 35.
3. Déplacez la butée sur la bonne position.
4. Resserrez les deux vis du segment et la poignée.

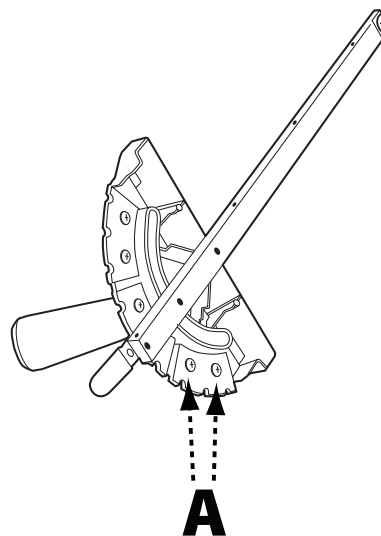


FIGURE 35

ALIGNEMENT PARALLÈLE DU GUIDE À LA FENTE À ONGLETS

1. Déplacez le guide à côté du guide à onglets du côté droit et fixez-le au tube de guidage en abaissant le levier de serrage du guide.
2. Si la paroi du guide (A) Figure 36 n'est pas parallèle à la fente (B), soulevez le levier de serrage et levez le guide et placez-le sur la table de sciage.
3. Ajustez l'une ou les deux vis de pression (C) d'1/4 de tour ou moins.
4. Remplacez le guide sur le tube de guidage et répétez les étapes 1 à 3. Si le guide est plus proche de la parallèle, tournez la vis de pression dans la même direction, mais un peu moins. Si le guide est plus loin de la parallèle, tournez la vis de pression dans la direction opposée.
5. Répétez les étapes 1 à 3.

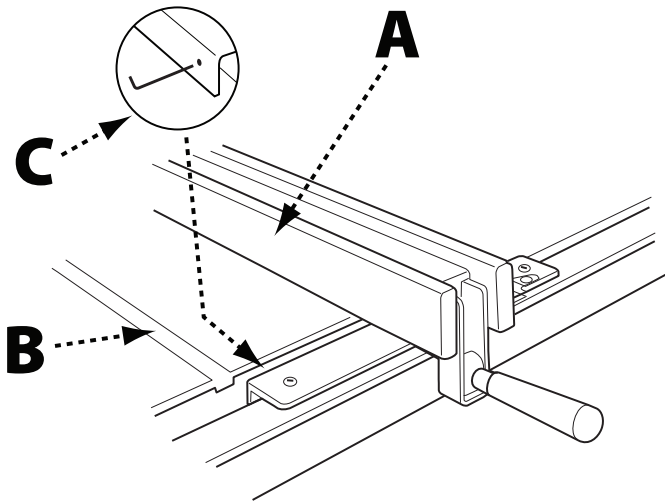


FIGURE 36

ALIGNEMENT PERPENDICULAIRE DU GUIDE À LA TABLE

1. Déplacez le guide sur la table en fonte et fixez-le au tube de guidage en abaissant le levier de serrage du guide.
2. Utilisez une équerre pour vérifier si la paroi du guide est perpendiculaire à la table.
3. Si la paroi du guide n'est pas perpendiculaire à la table, libérez le levier de serrage et ajustez légèrement l'une des vis de pression à encoches (A) Figure 37 jusqu'à ce que la paroi du guide soit perpendiculaire à la table.
4. Fixez le guide au tube de guidage pour que le guide reste perpendiculaire. Sinon, répétez les étapes 1 à 4.

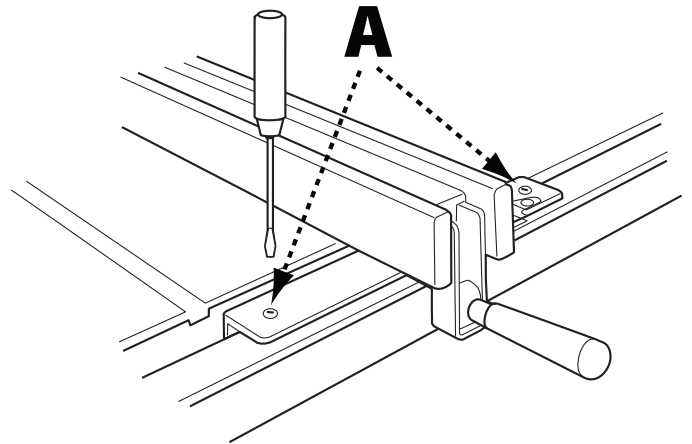


FIGURE 37

FONCTIONNEMENT SUR 240 VOLTS MONOPHASÉ

Le moteur bitension 120/240 volts fourni avec votre machine a été livré prêt pour un fonctionnement sur 120 volts. Il peut être converti pour fonctionner sur 240 volts. Pour effectuer la conversion de 120 volts à 240 volts, communiquez d'abord avec le Service à la clientèle DELTA au 1-800-223-7278.

Les instructions suivantes servent à convertir le fonctionnement de votre scie sur 240 volts.

⚠ AVERTISSEMENT : Pour réduire tout risque de blessure, arrêtez la machine et débranchez-la de la source d'alimentation avant de lui raccorder ou retirer des accessoires, avant d'ajuster ou de modifier sa configuration ou lors des réparations. Son démarrage accidentel peut causer des blessures..

1. Démontez les 4 vis (A), Fig 38, puis retirez le panneau arrière (B).
2. Démontez les 2 vis (C), puis retirez le couvercle en plastique (D).
3. Basculez l'interrupteur (E) de la position 120v à la position 240v.
4. Remettez le couvercle (D) et les 2 vis (C) en place.
5. Remettez le panneau arrière (B) et les 4 vis (A) en place.
6. La fiche du cordon d'alimentation de 120 volts doit aussi être remplacée par une fiche certifiée UL/CSA appropriée pour une tension de 240 volts, 15 ampères.

La conversion doit être effectuée par un électricien qualifié; sinon, remettez la machine à un centre de service agréé qui s'en occupera. La machine doit être conforme au Code national de l'électricité et à tous les codes et règlements locaux en vigueur.

Branchez la prise de 240 volts UNIQUEMENT dans une prise de courant dont la configuration est identique à celle de la fiche illustrée à la page 39, Fig. C. **N'UTILISEZ PAS** un adaptateur avec la fiche de 240 volts.

⚠ AVERTISSEMENT : Dans tous les cas, assurez-vous que la prise concernée est correctement mise à la terre. En cas de doute, demandez à un électricien qualifié de vérifier la prise.

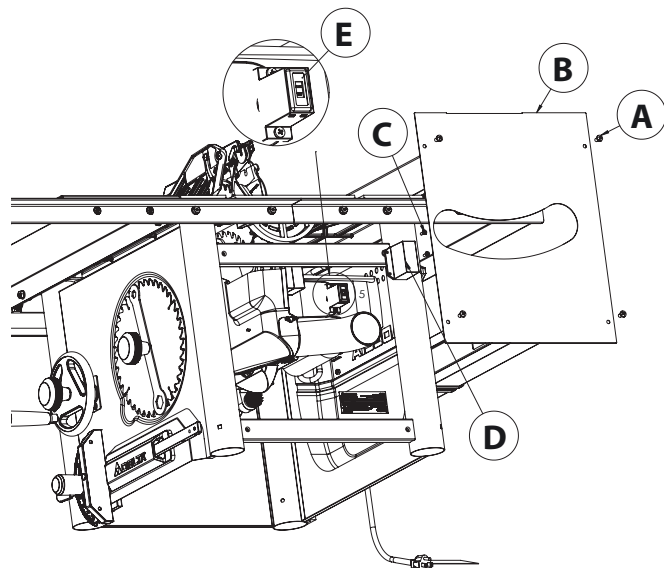


FIGURE 38

ENTRETIEN

Pour réduire le risque de blessures, éteignez la machine et débranchez-la de la source d'alimentation avant de la nettoyer ou la réparer, installer et retirer des accessoires, ou effectuer des réglages et réparations. Un démarrage inopportun peut provoquer des blessures.

GARDER LA MACHINE PROPRE

Souffler périodiquement de l'air comprimé sec à l'intérieur de tous les conduits d'air. Toutes les pièces en plastique doivent être nettoyées avec un chiffon doux humide. N'utilisez JAMAIS de solvant pour nettoyer les pièces en plastique. Il pourrait dissoudre

ou endommager le matériel.

Portez des équipements de sécurité certifiés pour la protection oculaire, auditive et respiratoire lors de l'utilisation d'air comprimé.

GRAISSAGE ET PROTECTION CONTRE LA CORROSION

Appliquez de la cire en pâte pour planchers de bois brut sur la table de la machine de temps en temps ou utilisez un produit de protection disponible dans le commerce et prévu à cet effet. Suivez les instructions du fabricant pour l'utilisation et la sécurité.

Pour nettoyer la rouille des tables en fonte, vous aurez besoin du matériel suivant : un tampon à récurer de taille moyenne, un bidon de lubrifiant de pulvérisation et un bidon de dégraissant. Appliquez le lubrifiant de pulvérisation et polissez la surface de la table avec le tampon à récurer. Dégraissez la table puis appliquez le produit de protection comme décrit ci-dessus.

RAPPELS D'ENTRETIEN

Portez des équipements de sécurité certifiés pour la protection oculaire, auditive et respiratoire lors de l'utilisation d'air comprimé.

Les points spécifiques qui nécessitent un entretien régulier sont :

PLAQUE DE FIXATION DU COUTEAU DIVISEUR : Gardez cette zone exempte d'accumulations de poussière et de débris. Soufflez régulièrement la zone à l'air comprimé.

REMARQUE : Si la pince du couteau diviseur ne peut pas se déplacer librement, faites entretenir la scie par le personnel d'un centre de service autorisé par DELTA® Power Equipment Corporation.

ENGRENAGES À VIS SANS FIN : Gardez les engrenages à vis sans fin exempts d'accumulations de poussière et de débris. Soufflez régulièrement la zone à l'air comprimé. Utilisez une graisse multi-usages à base de lithium sur ces engrenages si nécessaire.

ÉLIMINEZ PÉRIODIQUEMENT L'ACCUMULATION DE SCIURE DANS LE CAISSON : REMARQUE : Il est également possible d'éliminer les débris de la scie par le dessous de la plaque à gorge, à l'intérieur du capteur de poussière.

DÉPANNAGE

Pour de l'aide avec votre machine, visitez notre site Web à www.DeltaMachinery.com pour une liste des centres de service ou appelez le Service à la clientèle DELTA® Power Equipment au 1-800-223-7278.

ÉCHEC DU DÉMARRAGE

Si votre machine ne démarre pas, assurez-vous que les broches de la fiche du cordon sont bien en contact dans la prise et vérifiez le bouton de réinitialisation sur le boîtier du commutateur d'alimentation. Vérifiez également s'il y a des fusibles grillés ou des disjoncteurs ouverts dans votre ligne électrique.

ACCESSOIRES

Une gamme complète des accessoires est disponible auprès de votre fournisseur DELTA®, des centres de service du fabricant DELTA® et des centres de service autorisés DELTA®." Rendez-vous sur notre site Web www.DeltaMachinery.com pour obtenir un catalogue en ligne ou pour connaître le nom du fournisseur le plus près de chez vous.

⚠ AVERTISSEMENT : Étant donné que les accessoires autres que ceux proposés par DELTA® n'ont pas été testés avec ce produit, leur utilisation pourrait s'avérer dangereuse. Pour une utilisation plus sûre, seuls les accessoires recommandés par DELTA® devraient être utilisés avec ce produit.

GARANTIE

Pour enregistrer votre outil pour le service sous garantie, veuillez visiter notre site Web www.DeltaMachinery.com.

GARANTIE LIMITÉE DE CINQ ANS

Delta^{MD} Power Equipment Corporation

1. **ÉLÉMENTS COUVERTS PAR LA GARANTIE.** Delta Power Equipment Corporation (« l'Entreprise ») réparera ou remplacera, à sa discrétion, toute machine ou pièce de rechange DELTA^{MD}, neuve ou remise à neuf en usine, achetée d'un point de vente aux États-Unis ou au Canada et qui, dans des conditions d'usage normal, est jugée défectueuse en raison d'un problème de fabrication ou de matériau, sous réserve des conditions énoncées dans cette garantie limitée. Cette garantie limitée couvre uniquement les matériaux et la main-d'œuvre. Tous les coûts de transport sont à la charge du client.

2. **PÉRIODE DE GARANTIE.** Toutes les réclamations de garantie doivent être soumises dans les cinq ans suivant la date d'achat du produit. Pour toutes les pièces de rechange et machines DELTA^{MD} remises à neuf en usine, la période de garantie est de 180 jours.

3. **OBTENTION DU SERVICE.** Pour bénéficier du service de garantie, vous devez retourner le produit défectueux, à vos frais, à un centre de service agréé par l'Entreprise pour exécuter le service de garantie (un « centre de service agréé DELTA^{MD} » pendant la période de garantie applicable, avec une preuve d'achat acceptable, comme votre reçu original indiquant la date d'achat, ou le numéro d'homologation du produit. L'Entreprise se réserve le droit de limiter le service de réclamation de garantie au pays où l'achat a été effectué et/ou de facturer le coût de transport des pièces de rechange ou la fourniture du service de garantie dans un autre pays. Les achats en ligne sont considérés comme effectués aux États-Unis. Pour trouver le centre de service agréé DELTA^{MD} le plus près de chez vous, appelez notre centre de service à la clientèle au (800) 223-7278.

4. EXCLUSIONS.

- L'Entreprise ne garantit pas les produits achetés dans un état usagé ou endommagé.
- L'Entreprise ne garantit pas les produits achetés en dehors des États-Unis ou du Canada
- L'Entreprise ne sera pas responsable de tout dommage découlant de l'usure normale, d'une mauvaise utilisation, d'un abus, d'une réparation ou d'une altération faite par quiconque autre qu'un centre de service agréé DELTA^{MD} ou un représentant désigné du centre de service à la clientèle de l'Entreprise.
- TOUTES LES GARANTIES IMPLICITES sont expressément limitées à la période de garantie identifiée ci-dessus.
- En aucun cas, l'Entreprise ne sera tenue responsable des dommages ACCIDENTELS OU CONSÉCUTIFS.
- Cette garantie limitée est l'unique garantie de l'Entreprise et définit par la présente le recours exclusif du client en ce qui concerne les produits défectueux; toutes les autres garanties, expresses ou implicites, de qualité marchande, de conformité aux besoins ou autre, sont formellement rejetées par l'Entreprise, sauf indication contraire ci-dessus.

Certains États américains ne permettant pas l'exclusion ou la limitation des dommages accidentels ou consécutifs, ni la limitation des garanties implicites, les limitations ou exclusions ci-dessus pourraient donc ne pas s'appliquer à vous. La présente garantie vous donne des droits légaux précis et vous pouvez avoir d'autres droits qui varient selon les États et les provinces. Pour de plus amples renseignements sur la couverture de la garantie et des informations sur les réparations, appelez le (800) 223-7278. Pour enregistrer vos produits en ligne, nous vous encourageons à visiter notre site Web et à créer GRATUITEMENT un compte de membre DELTA sur <http://www.deltamachinery.com/register>.

AMÉRIQUE LATINE : La présente garantie ne s'applique pas aux produits vendus en Amérique latine. Pour les produits vendus en Amérique latine, consultez les informations de garantie relatives au pays en question contenues dans l'emballage, appelez la société locale ou consultez la section garantie sur le site Web.



POWER EQUIPMENT CORPORATION

ASSISTANCE PIÈCES, ENTRETIEN ET GARANTIE

Toutes les machines et tous les accessoires DELTA[®] sont fabriqués selon des normes de qualité élevée et sont entretenus par un réseau de centres de service autorisés DELTA[®]. Pour en savoir davantage sur votre produit de qualité DELTA[®] ou pour obtenir des pièces, de l'entretien, de l'aide avec la garantie ou connaître l'emplacement du centre de service le plus proche de chez vous, veuillez composer le 1-800-223-7278.

PIÈCES DE RECHANGE

Utilisez uniquement des pièces de rechange identiques. Pour obtenir une liste de pièces ou commander des pièces, rendez-vous sur notre site à l'adresse www.DeltaMachineryParts.com. Vous pouvez également commander des pièces auprès de votre centre de service de garantie autorisé ou en appelant le directeur du service technique au 1-800-223-7278 pour recevoir un soutien personnalisé de l'un de nos représentants hautement qualifiés.

REPLACEMENT GRATUIT DES ÉTIQUETTES DE MISE EN GARDE

Si vos étiquettes de mise en garde sont devenues illisibles ou sont manquantes, composez le 1-800-223-7278 pour un remplacement gratuit.

DESCRIPCIÓN FUNCIONAL

La sierra de mesa de 10 pulgadas (254 mm) para contratista DELTA® #36-725 está diseñada para que sea fácil de transportar y tener una alta calidad de desempeño. Incluye: máquina básica, soporte de acero tubular macizo, conducto para polvo integral, un sistema de tope guía T-Square®, galga de inglete de ranura en T, motor de inducción de 13 amperes, interruptor de encendido/apagado, mesa de hierro fundido, alas de extensión, guarda para hoja transparente con dedos anti contragolpes y una hoja de carburo de 10 pulgadas (254 mm).

ESPECIFICACIONES

Máx. profundidad de corte a 90 grados:	3-½"
Máx. profundidad de corte a 45 grados:	2-½"
Máx. inclinación a la derecha de la hoja:	30"
Máx. inclinación a la izquierda de la hoja:	15"
Máx. ancho de la ranura:	13/16"
ESPECIFICACIONES DEL MOTOR:	
Amperes	13/6.5
Voltaje	120/240

AVISO: La portada del manual muestra el modelo de producción actual. Otras ilustraciones que contiene el manual son únicamente representativas y pueden no ser imágenes exactas de las etiquetas o accesorios reales incluidos. Son únicamente para fines de ilustración.

INSTRUCCIONES DE SEGURIDAD IMPORTANTES

▲ ADVERTENCIA: LEA CON ATENCIÓN Y SIGA TODAS LAS ADVERTENCIAS E INSTRUCCIONES DE SU PRODUCTO Y DE ESTE MANUAL. GUARDE ESTE MANUAL. ASEGÚRESE DE QUE TODOS LOS USUARIOS ESTÉN FAMILIARIZADOS CON LAS ADVERTENCIAS E INSTRUCCIONES AL USAR LA HERRAMIENTA. La operación, mantenimiento o modificación inadecuada de las herramientas o equipo podría resultar en una lesión grave y/o daños a la propiedad.

Si tiene cualquier duda o inquietud en relación al uso de su herramienta o al contenido de este manual, detenga el uso de la herramienta y comuníquese con atención al cliente de DELTA® Power Equipment Corporation al 1-800-223-7278.

LOGOTIPOS DE SEGURIDAD

Las siguientes definiciones describen el nivel de gravedad de cada palabra de alarma. Por favor, lea el manual y preste atención a estos símbolos.

▲ PELIGRO: Indica una situación de peligro inminente que, de no evitarse, ocasionará la muerte o una lesión grave.

▲ ADVERTENCIA: Indica una situación de peligro potencial que, de no evitarse, podría ocasionar la muerte o una lesión grave.

▲ PRECAUCIÓN: Indica una situación de peligro potencial que, de no evitarse, pudiera ocasionar una lesión menor o moderada.

REGLAS GENERALES DE SEGURIDAD PARA HERRAMIENTAS ELÉCTRICAS

▲ PELIGRO: No seguir estas reglas puede provocar graves lesiones personales.

- 1. LEA EL MANUAL DE INSTRUCCIONES Y CONOZCA SU HERRAMIENTA.** Lea y familiarícese con todo el manual de instrucciones. Conocer las aplicaciones adecuadas, limitaciones y riesgos potenciales específicos de la herramienta minimizará en gran medida la posibilidad de sufrir accidentes o una lesión. Asegúrese de que todos los usuarios estén familiarizados con las advertencias e instrucciones antes de usar la herramienta.
- 2. MANTENGA LAS GUARDAS Y DISPOSITIVOS DE SEGURIDAD EN SU LUGAR** y funcionando adecuadamente.
- 3. QUITÉ LAS LLAVES DE AJUSTE Y DE TUERCAS.** Cree el hábito de verificar que todas las llaves de ajuste y tuercas se hayan quitado antes de arrancar la herramienta.
- 4. MANTENGA EL ÁREA DE TRABAJO LIMPIA Y CON BUENA ILUMINACIÓN.** Las áreas, superficies y bancos de trabajo desordenados o con poca iluminación pueden provocar accidentes.
- 5. NO USE NI ALMACENE LA HERRAMIENTA EN AMBIENTES PELIGROSOS.** La exposición a la lluvia o lugares húmedos o mojados puede resultar en una descarga eléctrica o electrocución, o en daños a la herramienta. No opere herramientas eléctricas cerca de líquidos inflamables ni en

REGLAS GENERALES DE SEGURIDAD PARA HERRAMIENTAS ELÉCTRICAS

- atmósferas gaseosas o explosivas. Los motores e interruptores de estas herramientas pueden crear chispas y encender los gases.
6. **MANTENGA ALEJADOS A NIÑOS Y ESPECTADORES** del área de trabajo.
 7. **BLOQUEE LAS HERRAMIENTAS Y ÁREAS DE TRABAJO.** Use candados e interruptores maestros, o bien retire y almacene las llaves de arranque para evitar que niños y usuarios no autorizados operen la herramienta.
 8. **NO APLIQUE FUERZA A UNA HERRAMIENTA O PIEZA DE TRABAJO.** Opere la herramienta a la velocidad y tasa de avance prevista para una operación óptima y más segura.
 9. **USE LA HERRAMIENTA ADECUADA.** No fuerce la herramienta a realizar una tarea para la cual no fue diseñada.
 10. **NO MALTRATE LOS CABLES DE CORRIENTE. NUNCA** jale del cable para desconectarlo del tomacorriente, no aplaste el cable ni lo exponga al calor, aceite ni objetos afilados.
 11. **USE EL CABLE DE EXTENSIÓN ADECUADO.** Si utiliza un cable de extensión, asegúrese de que esté en buenas condiciones y tenga el calibre suficiente para llevar la corriente que necesitará su producto. Un cable de menor calibre provocará una caída en el voltaje de línea, lo que provocará una pérdida de energía y sobrecalentamiento. Consulte la Tabla de cables de extensión para obtener el calibre correcto dependiendo de la longitud del cable y el amperaje indicados en la placa nominal. En caso de dudas, use el siguiente calibre más pequeño. Entre más pequeño sea el número de calibre, más pesado será el cable. Cuando trabaje a la intemperie, asegúrese de que la extensión esté clasificada para uso en exteriores. Consulte la sección de conexión a la fuente de poder en este manual para consultar la Tabla de cables de extensión y la seguridad de la conexión a la fuente de poder.
 12. **ASEGURAR LA PIEZA DE TRABAJO.** Use abrazaderas o una pinza para retener la pieza de trabajo cuando sea práctico. Es más seguro que usar sus manos y libera ambas manos para operar la herramienta.
 13. **NO SE ESTIRE DEMASIADO.** Mantenga un apoyo y equilibrio adecuados para conservar el control.
 14. **DEBE DAR MANTENIMIENTO A LAS HERRAMIENTAS.** Mantenga las herramientas afiladas y limpias para un desempeño óptimo y más seguro. Siga las instrucciones para lubricar y cambiar los accesorios.
 15. **DESCONECTE LA HERRAMIENTA** de la fuente de poder antes de dar servicio, ajustar o cambiar montajes u hojas, brocas, cortadores y otros accesorios.
 16. **PARA REDUCIR EL RIESGO DE UN ARRANQUE ACCIDENTAL,** asegúrese de que los interruptores de energía estén en la posición "OFF" (Apagado) antes de conectar el cable de la herramienta.
 17. **No toque las puntas de metal del enchufe** cuando desconecte o conecte el cable.
 18. **USE LOS ACCESORIOS RECOMENDADOS.** Consulte el manual para saber cuáles son los accesorios recomendados. El uso de accesorios inadecuados podría causar lesiones personales o daños a la propiedad.
 19. **NUNCA SE PARE SOBRE LA HERRAMIENTA.** Una lesión grave podría ocurrir si las puntas de la herramienta o usted tienen contacto por accidente con la superficie de corte.
 20. **COMPRUEBE QUE LAS HERRAMIENTAS NO ESTÉN DAÑADAS.** Antes de usar una herramienta, y después de que una herramienta o accesorio se haya caído o dañado, compruebe la alineación de las piezas móviles, la unión de las piezas móviles, que no haya piezas quebradas en las guardas y piezas afectadas ni cualquier otra condición que pudiera afectar la operación y asegúrese de que la herramienta funcionará correctamente y todas las partes funcionarán de acuerdo a su función prevista. No use un producto dañado. Una guarda o cualquier otra pieza que esté dañada debe repararse adecuadamente o reemplazarse usando piezas de servicio aprobadas de fábrica.
 21. **USE LA DIRECCIÓN DE AVANCE ADECUADA.** Avance la pieza de trabajo en contra la dirección de rotación de la hoja, cortador o superficie abrasiva de la herramienta. Alimentar en la dirección opuesta puede provocar que la pieza de trabajo sea expulsada a altas velocidades.
 22. **NUNCA DEJE LA HERRAMIENTA FUNCIONANDO SIN SUPERVISIÓN. APAGUE LA HERRAMIENTA.** No deje la herramienta hasta que esta se detenga por completo. En caso de un apagón, cambie el interruptor a la posición "OFF" (Apagado).
 23. **ESTÉ ALERTA, PONGA ATENCIÓN A LO QUE ESTÁ HACIENDO Y USE EL SENTIDO COMÚN.** No use herramientas eléctricas cuando esté cansado o bajo el efecto de drogas, alcohol o medicamentos. Un momento de distracción al operar herramientas eléctricas podría resultar en una lesión.
 24. **PIEZAS DE SERVICIO.** Use únicamente refacciones idénticas al dar servicio a su herramienta.
 25. **USE ROPA ADECUADA.** No use ropa holgada, guantes, corbatas, anillos, pulseras u otra joyería que pudiera quedar atrapada en las piezas móviles. Se recomienda utilizar calzado protector anti deslizante. Use gorras protectoras de cabello para sujetar el cabello largo.
 26. **USE PROTECCIÓN DE OJOS ADECUADA.** Todas las personas que estén en el área de trabajo deben usar lentes de seguridad con escudos laterales. Los anteojos cotidianos con lentes resistentes a impactos no son lentes de seguridad. El equipo ocular debe cumplir con los estándares de ANSI Z87.1.

continúa en la página 67

REGLAS GENERALES DE SEGURIDAD PARA HERRAMIENTAS ELÉCTRICAS

27. PROTECCIÓN DE OÍDOS. Todas las personas en el área de trabajo deben usar protección de oídos adecuada consistente con los niveles y exposición al ruido. El equipo auditivo debe cumplir con los estándares de ANSI S3.19.

28. PROTECCIÓN CONTRA EL POLVO. El uso de herramientas eléctricas puede generar o expulsar polvo que podría causar lesiones respiratorias graves y permanentes, así como otras lesiones incluyendo silicosis (una enfermedad pulmonar grave), cáncer y la muerte. Dirija las partículas

lejos del rostro y el cuerpo. Siempre opere la herramienta en un área con buena ventilación y proporcione una eliminación de polvo adecuada. Use el sistema de recolección de polvo cuando sea posible. Evite respirar el polvo y evite el contacto prolongado con este. Permitir que el polvo entre a la boca u ojos, o bien que permanezca en la piel, puede promover la absorción de material dañino. Use protección respiratoria aprobada por NIOSH/OSHA de ajuste adecuado para la exposición al polvo y lave las áreas expuestas con jabón y agua.

ADVERTENCIA DE LA PROPUESTA 65: El polvo creado por lijar, aserrar, rectificar, barrenar con herramienta eléctrica, así como otras actividades de construcción, puede contener químicos reconocidos por el estado de California como causantes de cáncer, defectos congénitos u otros daños reproductivos. Algunos ejemplos son:

- Plomo de pinturas con base de plomo
- Sílice cristalina de ladrillos y cemento y otros productos de mampostería

- Polvo de asbesto
- Arsénico y cromo de madera tratada con químicos

El riesgo debido a estas exposiciones varía dependiendo de la frecuencia con la que se realice este tipo de trabajo. Para reducir la exposición a estos químicos: trabaje en un área con buena ventilación y trabaje con el equipo de seguridad aprobado tal como mascarillas anti polvo que están diseñadas específicamente para filtrar partículas microscópicas.

GUARDE ESTAS INSTRUCCIONES.

Consúltelas a menudo y úselas para adiestrar a otros.

En caso de prestar la herramienta, también preste estas instrucciones.

REGLAS DE SEGURIDAD DE LA SIERRA DE MESA

⚠ ADVERTENCIA: No seguir estas reglas puede provocar graves lesiones personales.

- **CONSULTE LA SECCIÓN DE SEGURIDAD GENERAL PARA HERRAMIENTAS ELÉCTRICAS EN ESTE MANUAL.** Lea todo el manual de instrucciones antes de operar la sierra. Conocer las aplicaciones adecuadas, limitaciones y riesgos potenciales específicos de la sierra minimizará en gran medida la posibilidad de sufrir accidentes y lesiones. Asegúrese de que todos los usuarios estén familiarizados con las advertencias e instrucciones antes de usar la sierra.
- **CONSULTE LA SECCIÓN DE CONEXIÓN A LA FUENTE DE PODER EN ESTE MANUAL** para obtener las instrucciones y advertencias en cuanto a cables de corriente y conexiones.

TERMINOLOGÍA

Los siguientes términos se usarán en todo el manual y debe familiarizarse con ellos.

- Corte completo se refiere a cualquier corte que corta por completo la pieza de trabajo.
- Corte sin traspaso se refiere a cualquier corte que no corta por completo la pieza de trabajo.
- Empujador se refiere a un palo de madera o plástico, usualmente de fabricación casera, que se usa para empujar una pieza de trabajo pequeña por la sierra y mantiene las manos del operador lejos de la hoja.
- Un contragolpe ocurre cuando la hoja de sierra se amarra en el corte o entre la hoja y el tope guía y avienta la pieza de trabajo hacia el operador.
- A mano libre se refiere a cortar sin usar una galga de inglete o un tope guía para corte al hilo o cualquier otro medio para guiar o retener la pieza de trabajo, excepto las manos del operador.
- Corte por penetración se refiere a cortes ciegos en la pieza de trabajo realizados ya sea elevando la hoja por la pieza de trabajo o bajando esta a la hoja.
- Reaserramiento - voltear el material para hacer un corte que la sierra no es capaz de realizar en una sola pasada.
- Corte cóncavo - también conocido como corte en bóveda, es una operación donde la pieza de trabajo pasa a un ángulo por la hoja.

⚠ ADVERTENCIA: No seguir estas reglas puede provocar graves lesiones personales.

1. **NUNCA** realice cortes de manos libres, cortes por penetración, reaserramientos ni cortes cóncavos.
2. **USE PROTECCIÓN DE OJOS**, ropa adecuada, protección de oídos y protección contra polvo según se especifique en la sección de seguridad general para herramientas eléctricas de este manual.
3. **USE LA GUARDA PARA HOJA DE SIERRA, SEPARADOR Y TRINQUETES ANTI CONTRAGOLPE.** La sierra está equipada con un ensamble de guarda para hoja modular, separador y un trinquete anti contragolpe, cada uno de estos componentes debe usarse en cada operación posible, incluyendo en todos los cortes completos. Este ensamble se explica a continuación con mayor detalle. Asegúrese de que los componentes se instalen firmemente antes de utilizar la sierra.
4. **MANTENGA LAS MANOS Y OTRAS PARTES DEL CUERPO LEJOS DEL TRAYECTO DE LA HOJA. NUNCA** coloque ninguna parte de su cuerpo en el trayecto de la hoja de sierra.
5. **USE UN EMPUJADOR** que sea adecuado para la aplicación para empujar y sujetar una pieza de trabajo hasta terminar el corte. Un empujador es un palo de madera o plástico, usualmente casero, que debe usarse cuando el tamaño o forma de la pieza de trabajo haría que colocara sus manos a 6 pulgadas (152 mm) de la hoja. Las instrucciones para fabricar un empujador se incluyen en este manual.
6. **EVITAR LOS CONTRAGOLPES.** Preste atención especial a las instrucciones (a continuación) para reducir el riesgo de contragolpes.
7. **NO REALIZAR CORTES A MANO LIBRE.** Siempre use un tope guía, galga de inglete u otros dispositivos adecuados para guiar o sujetar la pieza de trabajo. Use retenedores, plantillas de guía, accesorios o tableros con canto biselado para ayudar a guiar y controlar la pieza de trabajo. Los accesorios para usar con la sierra están disponibles a un costo adicional con su distribuidor local o centro de servicio autorizado.
8. **NO USE UN TOPE GUÍA PARA CORTE AL HILO Y GALGA DE INGLETE AL MISMO TIEMPO.**
9. **NO SE ESTIRE DEMASIADO.** Nunca se estire sobre, encima o alrededor de la herramienta de corte con ninguna de las manos mientras la hoja está en movimiento.
10. **ESTABILIDAD.** Asegúrese de que la sierra de mesa esté ensamblada correctamente y colocada sobre una superficie estable antes de usarla para evitar que esta se mueva durante un corte.
11. **ENSAMBLE ADECUADO.** No opere esta sierra hasta que esté completamente ensamblada e instalada de conformidad con las instrucciones.
12. **VERIFIQUE LA PIEZA DE TRABAJO Y LA PREPARACIÓN** antes de cada operación. Los nudos, irregularidades o clavos en una pieza de trabajo y los errores de posicionamiento o una preparación incompleta pueden interferir o afectar el desempeño de la sierra y la seguridad personal.
13. **USE LA PLACA DE GARGANTA ADECUADA.** La placa de garganta adecuada debe estar colocada y asegurada firmemente en todo momento para reducir el riesgo de expulsar una pieza de trabajo y provocar una posible lesión.
14. **USE LA HOJA Y SEPARADOR CORRECTOS** para la operación prevista. La hoja debe instalarse de modo que las puntas de los dientes estén apuntando hacia el frente de la sierra. No use una hoja o separador demasiado grande con una abertura incorrecta de eje. Siempre apriete firmemente la tuerca del eje de la hoja. Antes de

REGLAS DE SEGURIDAD DE LA SIERRA DE MESA (continuación)

usar, inspeccione la hoja para comprobar que no tenga grietas ni dientes rotos. No use una hoja dañada o sin filo. Siempre use la hoja dentro del rango de grosor para la cual está diseñado el separador.

15. **EVITE REALIZAR OPERACIONES O POSICIONES MANUALES INCÓMODAS** donde un resbalón repentino podría provocar que una mano se mueva hacia la hoja de sierra. Opere con la mesa al nivel o cerca del nivel de la cintura para mejor equilibrio y control. Anticipe el efecto que el tamaño de la pieza de trabajo tendrá en su habilidad para ajustar la posición y mantener el control hasta terminar el corte.
16. **MANTENGA LOS BRAZOS, MANOS Y DEDOS AL MENOS A SEIS PULGADAS DE DISTANCIA DE LA HOJA.**
17. **NUNCA CORTE METALES, PLACAS DE CEMENTO O MAMPOSTERÍA.** Ciertos materiales hechos por el hombre tienen instrucciones especiales para cortar en sierras de mesa. Siga las recomendaciones del fabricante en todo momento.
18. **NUNCA INTENTE LIBERAR UNA HOJA ATASCADA O UNA PIEZA DE TRABAJO ATRAPADA** sin antes apagar la máquina y desconectar la sierra de la fuente de poder.
19. **NUNCA INTENTE ARRANCAR LA MÁQUINA CON LA PIEZA DE TRABAJO CONTRA LA HOJA** para reducir el riesgo de que la pieza de trabajo sea expulsada.

20. **NUNCA REALICE TRABAJOS DE DISEÑO, ENSAMBLE O PREPARACIÓN SOBRE LA MESA O ÁREA DE TRABAJO** cuando la sierra esté en funcionamiento.

21. **ANTES DE DEJAR LA SIERRA**, espere a que la hoja se detenga por completo, luego desconecte la máquina de la fuente de poder, limpie la mesa y el área de trabajo, y bloquee el interruptor para evitar el uso no autorizado.

22. **SUJETE LA PIEZA DE TRABAJO** en base al tamaño y el tipo de operación a realizar. Sujete firmemente la pieza de trabajo contra la guía y hacia abajo contra la superficie de la mesa. No deje un panel ancho o tabla larga (u otra pieza de trabajo grande) sin soporte, pues el peso de esta pudiera causar que se moviera en la mesa, lo que resultaría en una pérdida de control.

23. **UN RUIDO DESCONOCIDO O VIBRACIÓN EN EXCESO** pudiera indicar un problema con la sierra. Si esto ocurre, apáguela y desconéctela de la fuente de poder hasta que encontrar y corregir el problema. Comuníquese con servicio al cliente para solicitar ayuda si es imposible resolver el problema.

24. **BUSQUE CONSEJO** de su supervisor, instructor u otra persona calificada si no está completamente familiarizado con la operación de esta máquina. El conocimiento es seguridad.

ENSAMBLE DE LA GUARDA PARA HOJA DE SIERRA, TRINQUETES ANTI CONTRAGOLPES Y SEPARADOR

La sierra de mesa está equipada con un ensamble de guarda para hoja, trinquetes anti contragolpes y separador que cubre la hoja y reduce la posibilidad de un contacto accidental con esta. El separador es una placa plana que se acomoda en el corte realizado por la hoja de sierra y combate eficazmente el contragolpe reduciendo la tendencia de la hoja a atascarse en el corte. Dos trinquetes anti contragolpe se encuentran a los lados del separador que permiten el paso de la madera por la hoja en la dirección del corte pero reduce la posibilidad de que el material sea expulsado hacia el operador. La guarda para hoja y los trinquetes anti contragolpe solo pueden usarse cuando se realizan cortes completos que separan la madera. Al realizar rebajos y otros cortes sin traspaso, deben quitarse la guarda para hoja y los trinquetes anti contragolpes; además, el separador debe bajarse a la

posición de corte sin traspaso marcada en el mismo.

Use todos los componentes del sistema de guardas (ensamble de guarda para hoja, separador, y trinquetes anti contragolpe) para cada operación en la cual pueden usarse incluyendo todos los cortes completos. Si elige no usar ninguno de estos componentes para una aplicación en particular, tenga especial cuidado en cuanto al control de la pieza de trabajo, el uso de empujadores, la posición de sus manos con respecto a la hoja, el uso de lentes de seguridad, los medios para evitar contragolpes y el resto de las advertencias mencionadas en este manual y en la misma sierra. Reemplace los sistemas de guardas en cuanto regrese a operaciones de corte completo. Mantenga el ensamble de guardas en buenas condiciones de funcionamiento.

CÓMO FABRICAR UN EMPUJADOR

Para poder utilizar de manera segura la sierra de mesa, debe usar un empujador cuando el tamaño o forma de la pieza de trabajo ocasionaría que de alguna manera sus manos estén a 6 pulgadas (152 mm) de la hoja de la sierra u otro cortador. Un empujador se incluye con esta sierra.

No es necesario ningún tipo especial de madera para fabricar empujadores adicionales siempre y cuando sean macizos y suficientemente largos y la madera esté libre de nudos, imperfecciones y grietas. Se recomienda una longitud de 16 pulgadas (400 mm) con una muesca que se ajuste contra el borde de la pieza de trabajo para evitar que se resbale. Es una buena idea tener varios

empujadores de la misma longitud mínima, 16 pulgadas (400 mm), con muescas de diferentes tamaños para diferentes grosores de piezas de trabajo.

La forma puede variar para adaptarse a sus propias necesidades siempre que realice la función prevista de mantener sus manos alejadas de la hoja. Inclinar la muesca a un ángulo para que el empujador pueda sostenerse a un ángulo de 20 a 30 grados de la mesa de la sierra le ayudará a sostener la pieza de trabajo al tiempo que pasa por la sierra. Consulte el diagrama en la sección de auxiliares de corte en la página 88 de este manual.

REGLAS DE SEGURIDAD DE LA SIERRA DE MESA (continuación)

CONTRAGOLPES

Los contragolpes pueden ocasionar lesiones graves. Un contragolpe ocurre cuando una parte de la pieza de trabajo se atasca entre la hoja de sierra y el tope guía para corte al hilo u otro objeto fijo, se eleva de la mesa y es expulsada hacia el operador. Los contragolpes pueden evitarse prestando atención a las siguientes condiciones.

CÓMO REDUCIR EL RIESGO DE CONTRAGOLPES Y PROTEGERSE DE UNA POSIBLE LESIÓN:

- Asegúrese de que el tope guía para corte al hilo esté paralelo con la hoja de sierra.
- No corte al hilo aplicando la fuerza de avance a la sección de la pieza de trabajo que se convertirá en la pieza cortada (libre). Cuando realice un corte al hilo, la fuerza de avance siempre debe aplicarse entre la hoja de la sierra y la guía; use un empujador para trabajos angostos, 6 pulgadas (152 mm) de ancho o menos.
- Mantenga el ensamble de guarda para hoja de sierra, separador y anti contragolpe en su lugar y funcionando correctamente. El separador debe estar alineado con la hoja de sierra y el ensamble anti contragolpe debe detener un contragolpe una vez que ha iniciado. Verifique su acción antes de cortar al hilo empujando la madera por abajo del ensamble anti contragolpe. Los dientes deben evitar que la madera se jale hacia el frente de la sierra. Si cualquier parte del ensamble no está funcionando, regrese

la máquina al centro de servicio autorizado más cercano para su reparación.

- Los materiales de plástico y compuestos (como madera prensada) pueden cortarse en la sierra. Sin embargo, puesto que usualmente estos son bastante duros y resbalosos, los trinquetes anti contragolpe pueden no detener un contragolpe. Por lo tanto, ponga atención especial a la siguiente preparación y procedimientos adecuados para cortar al hilo.
- Use el ensamble de guarda para hoja de sierra, trinquetes anti contragolpe y separador en cada operación posible, incluyendo todos los cortes completos.
- Empuje la pieza de trabajo más allá de la hoja de sierra antes de soltarla.
- **NUNCA** corte al hilo una pieza de trabajo que esté torcida o deformada, o bien que no tenga un borde recto para guiarla por el tope guía.
- **NUNCA** corte una pieza de trabajo larga que no pueda controlar.
- **NUNCA** use el tope guía como una guía o tope de largo al realizar un corte transversal.
- **NUNCA** corte una pieza de trabajo con nudos sueltos, defectos, clavos u otros objetos extraños.
- **NUNCA** corte al hilo una pieza de trabajo con una longitud menor a 10 pulgadas (254 mm).
- **NUNCA** use una hoja sin filo. Una hoja sin filo debe reemplazarse o afilarse.

CONEXIONES A LA FUENTE DE PODER

FUENTE DE PODER

Esta sierra está equipada con un motor de 13 amperes para usarse con 120 voltios, 60 HZ de corriente alterna. Un electricista calificado puede recablearla para usarla con una fuente de poder de 240 voltios. Consulte las siguientes instrucciones acerca de las conexiones adecuadas para la sierra según el sistema eléctrico.

Para el voltaje, el cableado en un taller es tan importante como la clasificación del motor. Una línea prevista únicamente para iluminación puede no ser capaz de llevar correctamente la corriente necesaria para el motor de una herramienta eléctrica; un cable que es suficientemente pesado para una distancia corta puede ser demasiado ligero para una distancia larga; y una línea que puede soportar una herramienta eléctrica puede no ser capaz de soportar dos o tres.

Debe usarse un circuito eléctrico aparte para las máquinas. Este circuito no debe ser menor a un alambre #12 y debe protegerse con un fusible de acción retardada de 20 amperes. Si usa un cable de extensión, use solo cables de 3 alambres que tengan enchufes de tipo conexión a tierra de 3 puntas y un tomacorriente correspondiente que conecte el enchufe de la máquina. Antes de conectar la máquina a la corriente, asegúrese de que el interruptor esté en la posición "OFF" (apagado) y asegúrese de que la corriente eléctrica tenga las mismas características que las indicadas en la máquina. Una caída significativa de voltaje provocará una pérdida de potencia y sobrecalentará el motor. También puede dañar la máquina.

⚠ PELIGRO: NO EXPONGA LA MÁQUINA A LA LLUVIA NI LA UTILICE EN LUGARES HÚMEDOS.

INSTRUCCIONES PARA LA CONEXIÓN A TIERRA

⚠ PELIGRO: ESTA MÁQUINA DEBE CONECTARSE A TIERRA DURANTE SU USO PARA PROTEGER AL OPERADOR DE UNA DESCARGA ELÉCTRICA.

En caso de un mal funcionamiento o avería, la conexión a tierra proporciona a la corriente eléctrica una ruta de menor resistencia para reducir el riesgo de una descarga eléctrica. Esta máquina está equipada con un cable eléctrico que tiene un conductor a tierra para equipos y un enchufe con conexión a tierra. El enchufe debe conectarse a un tomacorriente adecuado que esté debidamente instalado y conectado a tierra de conformidad con todos los códigos y ordenanzas locales. No modifique el enchufe que se proporciona con la

sierra o que un electricista haya recableado. Si no es posible conectarlo al tomacorriente, pida a un electricista calificado que instale un tomacorriente adecuado.

La conexión inadecuada del conductor a tierra para equipos puede resultar en un riesgo de descarga eléctrica. El conductor con aislamiento que tiene una superficie exterior verde con o sin rayas amarillas es el conductor a tierra. Si es necesario reparar o reemplazar el cable eléctrico o enchufe, no conecte el conductor a tierra para equipo a una terminal energizada.

CONEXIONES A LA FUENTE DE PODER (continuación)

Verifique con un electricista calificado o personal de servicio si las instrucciones de conexión a tierra no se entienden por completo o si tiene dudas acerca de si la máquina está correctamente conectada a tierra.

Use únicamente cables de extensión de 3 alambres que tengan enchufes de tipo conexión a tierra de 3 puntas, tomacorrientes de 3 conductores

▲ PELIGRO: EN TODOS LOS CASOS, ASEGÚRESE DE QUE EL TOMACORRIENTE EN CUESTIÓN ESTÉ DEBIDAMENTE CONECTADO A TIERRA. SI NO ESTÁ SEGURO, PIDA A UN ELECTRICISTA CALIFICADO QUE REVISE EL TOMACORRIENTE.

Esta es una herramienta conectada por cable y a tierra diseñada para usarse en un circuito eléctrico con un voltaje nominal de 120 voltios. Está diseñada para usarse en un circuito que tenga un tomacorriente como se muestra en la FIG. A. Tiene un enchufe como se muestra en la FIG. A. Si tiene un tomacorriente bipolar como se muestra en la FIG. B, puede utilizar un adaptador temporal como se muestra en la FIG. B si no está disponible un tomacorriente con conexión a tierra. La orejeta verde que sobresale del adaptador debe conectarse a una caja de tomacorriente conectada a tierra permanente. El adaptador temporal debe usarse únicamente hasta que un electricista calificado pueda instalar un tomacorriente con conexión a tierra.

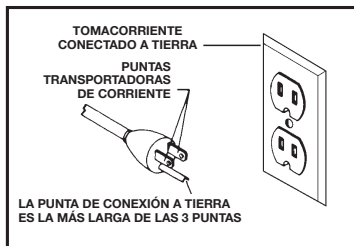


FIG. A

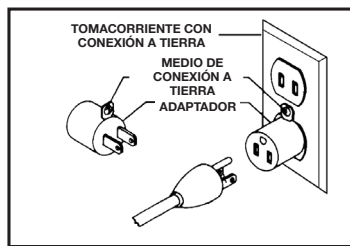


FIG. B

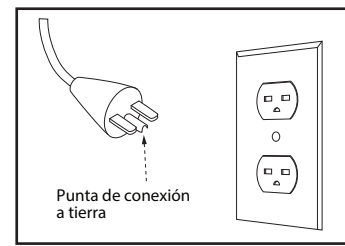


FIG. C

Un electricista calificado puede convertir esta herramienta a un circuito de suministro de energía de 240 voltios. Si se convierte a 240 voltios, debe ser equipada con un enchufe con conexión a tierra que se muestra en la FIG. C y debe conectarse a un tomacorriente como se muestra en la FIG. C, que esté conectado a una conexión a tierra permanente. No hay un adaptador disponible ni debe usarse con esta herramienta cuando se convierte a 240 voltios.

CABLES DE EXTENSIÓN

▲ PELIGRO: Nunca use un cable de extensión dañado. Revise los cables de extensión antes de cada uso. Si están dañados, reemplácelos de inmediato. Tocar el área dañada podría provocar una descarga eléctrica que resultaría en una lesión grave.

▲ PRECAUCIÓN: Mantenga los cables de extensión lejos del área de trabajo. Coloque el cable de manera que no quede atrapado en la madera, herramientas ni otras obstrucciones.

- Use cables de extensión adecuados. Asegúrese de que el cable de extensión sea un cable de 3 alambres que tenga un enchufe de tipo conexión a tierra de 3 puntas y un tomacorriente correspondiente adecuado para el enchufe de la máquina, según se describe en las instrucciones de conexión a tierra de este manual. Cuando use un cable de extensión, asegúrese de usar uno suficientemente pesado para soportar la corriente de la máquina. Un cable de menor calibre provocará una caída en el voltaje de línea, lo que provocará una pérdida de energía y sobrecalentamiento. La siguiente tabla muestra el calibre máximo a usar dependiendo de la longitud del cable. En caso de dudas, use el siguiente calibre más pesado. Entre más pequeño sea el número de calibre, más pesado será el cable. Deben usarse únicamente cables revestidos y redondos indicados por Underwriter's Laboratories (UL).

TAMAÑO DE CALIBRE MÍNIMO DE CABLES DE EXTENSIÓN RECOMENDADOS PARA USARSE CON MÁQUINAS ELÉCTRICAS ESTACIONARIAS			
Amperaje	Voltios	Longitud total del cable en pies	Calibre del cable de extensión
0-6	240	Hasta 50	18 AWG
0-6	240	50-100	16 AWG
0-6	240	100-200	16 AWG
0-6	240	200-300	14 AWG
6-10	240	Hasta 50	18 AWG
6-10	240	50-100	16 AWG
6-10	240	100-200	14 AWG
6-10	240	200-300	12 AWG
10-12	240	Hasta 50	16 AWG
10-12	240	50-100	16 AWG
10-12	240	100-200	14 AWG
10-12	240	200-300	12 AWG
12-16	240	Hasta 50	14 AWG
12-16	240	50-100	12 AWG

TAMAÑO DE CALIBRE MÍNIMO DE CABLES DE EXTENSIÓN RECOMENDADOS PARA USARSE CON MÁQUINAS ELÉCTRICAS ESTACIONARIAS			
Amperaje	Voltios	Longitud total del cable en pies	Calibre del cable de extensión
0-6	120	Hasta 25	18 AWG
0-6	120	25-50	16 AWG
0-6	120	50-100	16 AWG
0-6	120	100-150	14 AWG
6-10	120	Hasta 25	18 AWG
6-10	120	25-50	16 AWG
6-10	120	50-100	14 AWG
6-10	120	100-150	12 AWG
10-12	120	Hasta 25	16 AWG
10-12	120	25-50	16 AWG
10-12	120	50-100	14 AWG
10-12	120	100-150	12 AWG
12-16	120	Hasta 25	14 AWG
12-16	120	25-50	12 AWG
12-16	120	NO SE RECOMIENDAN LONGITUDES MAYORES A 50 PIES	

DESEMPAQUE

⚠ ADVERTENCIA:

- La máquina es pesada, se necesitan dos personas para desempaquetarla y levantarla.
- Use una correa de seguridad para evitar una volcadura al levantar la máquina.
- Antes de ensamblar y usar la herramienta, lea con atención este manual para familiarizarse con los procedimientos adecuados de ensamblado, mantenimiento y seguridad.

Verifique que la caja de envío y la máquina no estén dañadas antes de desempaquetarla. Con cuidado retire los componentes de la capa de espuma superior. Retire la capa superior de espuma, luego retire todos los componentes de la capa inferior de espuma. Coloque todas las partes en un pedazo de cartón u otra superficie plana y limpia. Se necesitan dos o más personas para levantar y sacar la sierra de la caja. Siempre busque y retire los materiales protectores de empaque alrededor de los motores y piezas móviles. No deseche la caja de envío y materiales de empaque hasta que haya inspeccionado con

atención el contenido, ensamblado la máquina y esté seguro de que funciona correctamente.

Compare el contenido del paquete con la lista de componentes y la lista de paquete de tornillería antes del ensamblaje para asegurarse de que todos los artículos estén presentes. Inspeccione con cuidado las piezas para asegurarse de que no se hayan dañado durante el envío. Si falta alguna pieza, o está dañada o preensamblada, no ensamble la sierra. En lugar de ello, llame al servicio al cliente de DELTA® al 1-800-223-7278 para solicitar ayuda.

Después de ensamblar, retire todo el material y los recubrimientos protectores de todas las piezas y de la sierra de mesa. Los recubrimientos protectores pueden retirarse rociando WD-40® sobre ellos y quitándolos usando un paño suave. Es posible que deba hacer esto varias veces para quitar por completo todos los recubrimientos protectores.

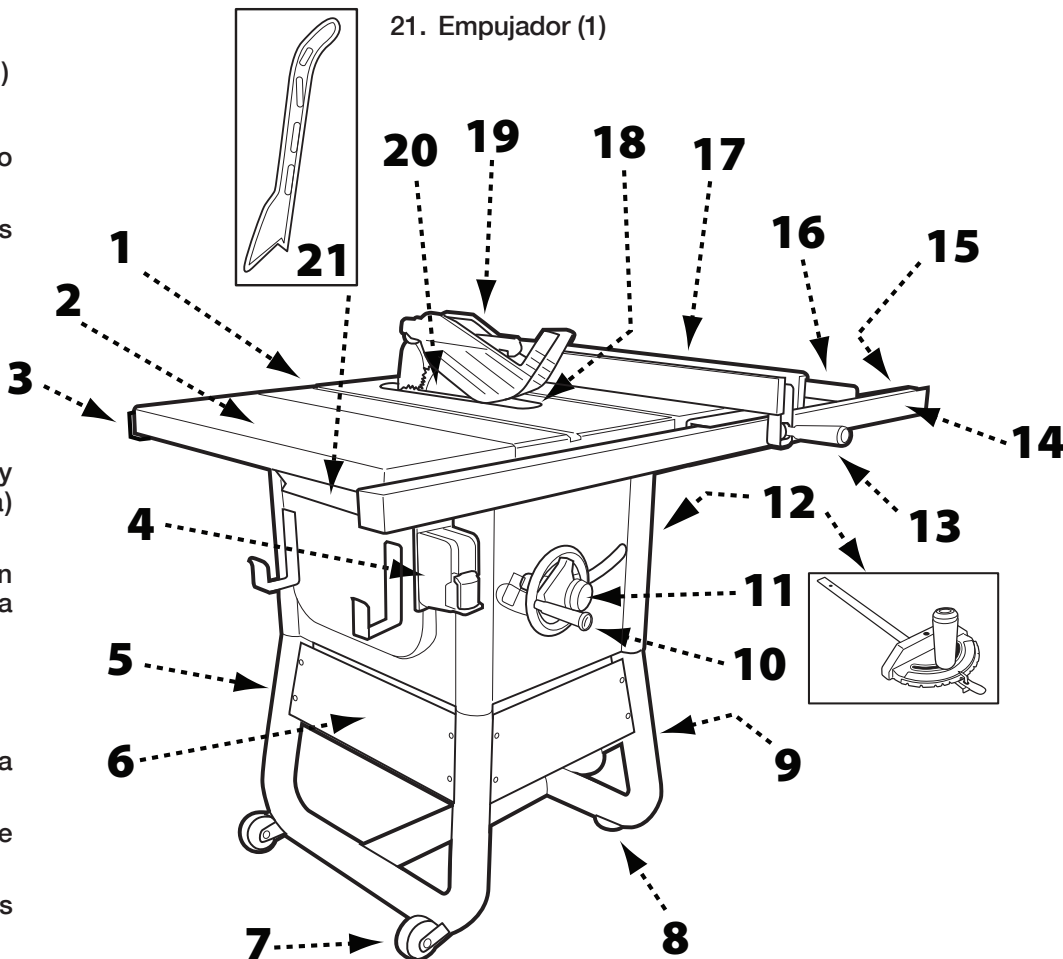
Después de limpiarla, aplique cera en pasta de buena calidad a cualquier superficie de hierro fundido sin pintar. Asegúrese de quitar la cera puliendo la superficie antes de ensamblar.

LISTA DE COMPONENTES

DESCRIPCIÓN (CANTIDAD)

1. Sierra de mesa con hoja de carburo adjunta y llave de punta cerrada (1)
2. Ala de extensión (2)
3. Rieles traseros (derecho e izquierdo) (2)
4. Caja de interruptores (sujeta a la sierra) (1)
5. Soporte tubular (2)
6. Paneles de soporte (4)
7. Ruedas fijas (2)
8. Patas ajustables (2)
9. Pedal sobre pivote y rueda (no se muestra) (sujeto a la sierra) (1)
10. Rueda manual con agarradera (2) (sujetas a la sierra)
11. Perillas de bloqueo (2)
12. Galga de inglete (1)
13. Agarradera del tope guía para corte al hilo (1)
14. Guías de tope (derecha e izquierda) (2)
15. Rieles de guías frontales (derecha e izquierda) (2)

16. Barra separadora de riel (1)
17. Tope guía para corte al hilo (1)
18. Placa de garganta (1)
19. Guarda para hoja y trinquetes anti contragolpe
20. Hoja (1)
21. Empujador (1)



DESEMBALADO (continuación)

PAQUETES DE FERRETERÍA

DESCRIPTION (QTY)	Élt. n°/ liste des pièces	DESCRIPTION (QTÉ)	Élt. n°/ liste des pièces
1. Perno de cabeza redonda y cuello cuadrado M8 x 70mm (1)	153	12. Chapa de unión para el perfil delantero (1)	32
2. Tuerca Nylock M8 (3)	155	13. Perno de tope M5 x16mm (2)	34
3. Perno de cabeza redonda y cuello cuadrado M6 x 72mm (4)	144	14. Tuerca Nylock M5 (2)	33
4. Tuerca M6 (4)	145	15. Tornillo hexagonal 5/16"-18 (10)	58
5. Arandela de presión M8 (1)	154	16. Tornillo de estrella de cabeza redondeada M5 x 6mm (1)	26
6. Pasador de eje M8 x 53mm (2)	151	17. Perno de tope M8 x16 (4)	20
7. Perno autorroscante M6 x 10mm (16)	146	18. Tuerca Nylock M8 (4)	21
8. Llave hexagonal con mango en T 3/16" (1) *		19. Tornillo de cabeza plana 5/16-18 x 1-inch (12)	19
9. Llave hexagonal con mango en L 3/16" (1) *		20. Tuerca hexagonal con brida 5/16-18 (12)	22
10. Llave Allen hexagonal con mango en L 6mm (1)	*	21. Arandela de seguridad 5/16 (12)	23
11. Tornillo hex. redondeado con arandela de presión 1/4"-20 x 1/2" w/1/4" (7)	35	22. Pasador de alambre: UC-1.5 blanco (1)	25
		23. Plantilla de alineación de guía (1)	*

* El artículo no aparece en el inventario de piezas.

ENSAMBLE

⚠ ADVERTENCIA:

- No levante la sierra sin ayuda. Sosténgala cerca de su cuerpo al tiempo que la levanta. Mantenga las rodillas dobladas y levante con sus piernas y no su espalda.
- Ensamble por completo la sierra con el ensamble de patas antes de usarla. El ensamble de patas es una parte integral y necesaria de la estructura de soporte de esta sierra.
- No modifique la sierra ni fabrique accesorios no recomendados para el uso con la sierra.
- Asegúrese de que el interruptor de energía esté en la posición "OFF" (Apagado) antes de conectar a la fuente de poder.
- No la conecte a una fuente de poder hasta completar el ensamble.

⚠ PRECAUCIÓN: Evite el contacto con los dientes de la hoja. Mantenga la hoja almacenada y abajo cuando sea posible.

HERRAMIENTAS NECESARIAS PARA EL ENSAMBLE (NO SE INCLUYEN):

- Destornillador de paleta
- Destornillador de cabeza Phillips
- Llave de 8 mm
- Llave de 10 mm
- Llave de 12 mm
- Llave de 13 mm
- Llave de 1/2 pulgada
- Llave de 9/16 de pulgada
- Llave hexagonal Allen de 6 mm
- Llave Allen de 5/32 de pulgada
- Llave Allen de 3/16 de pulgada

SOPORTE

1. Conecte las dos patas tubulares insertando el extremo de la pata izquierda (A) en el extremo de la pata derecha (B) como se muestra en la Figura 1. Sujétela con un perno hexagonal de perno de cabeza redonda M8 x 70 mm y una tuerca autoblocante y apriete manualmente.
2. Inserte los cuatro extremos abiertos de las patas tubulares en los collares de la pata (C) como se muestra. Sujete cada pata con un perno de 6 mm x 72 mm y una tuerca.
3. Sujete los paneles de soporte de la pata trasera y frontal (D) a las patas usando cuatro pernos autorroscantes M6 x 10mm.

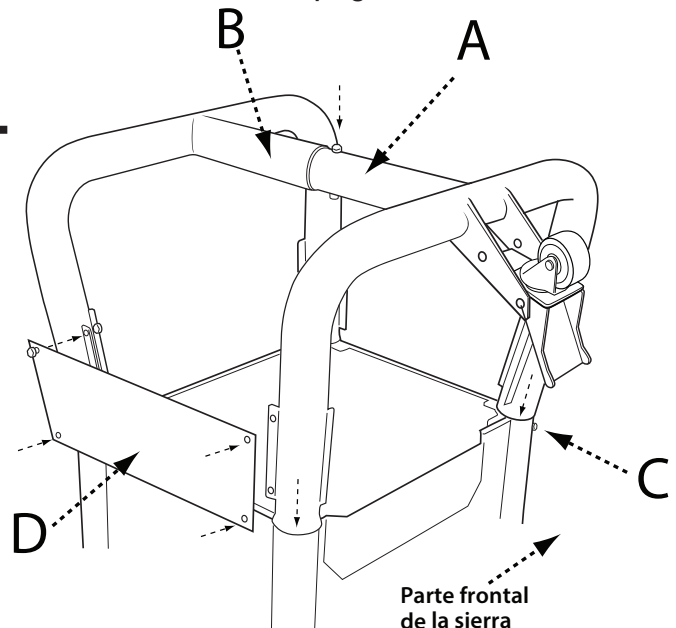


FIGURA 1

ENSAMBLE (continuación)

NOTA: Coloque pequeño tornillo a través del primer agujero. Apriete hacia abajo este propósito no apriete el tornillo. Coloque resto de los tornillos a través de las ranuras y empezar a enhebrar en los agujeros en la pestaña de montaje en el soporte. Una vez que todos los tornillos se inician, apriete los cuatro suficientemente para sostener firmemente plana. Estos son tornillos de rosca y puede ser difícil de hilo al principio. Siga este procedimiento para todos los cuatro paneles de oro 16 tornillos.

RUEDAS FIJAS Y PATAS ESTACIONARIAS

1. Sujete las dos ruedas fijas (A) a las dos patas izquierdas, al lado opuesto de la rueda pivotante, usando el perno de cabeza redonda de tope como en la Figura 2.
2. Atornille las patas ajustables (C) en los insertos roscados de la pata derecha, junto a la rueda pivotante.
3. Coloque un trozo de desecho de 2 x 4 en la parte posterior de la sierra, como se muestra en la Figura 3, para evitar dañar el conducto para polvo cuando se enderece la sierra.
4. Coloque el lado derecho de la sierra hacia arriba.

⚠ ADVERTENCIA: La máquina es pesada, se necesitan dos personas para poner la máquina de pie.

5. Las dos patas ajustables (C) se pueden girar para subirlas y bajarlas. Las patas pueden ajustarse al nivel de la sierra y bloquearse en su lugar con los tornillos de fijación usando una llave hexagonal Allen de 6 mm. Vea la Figura 2.

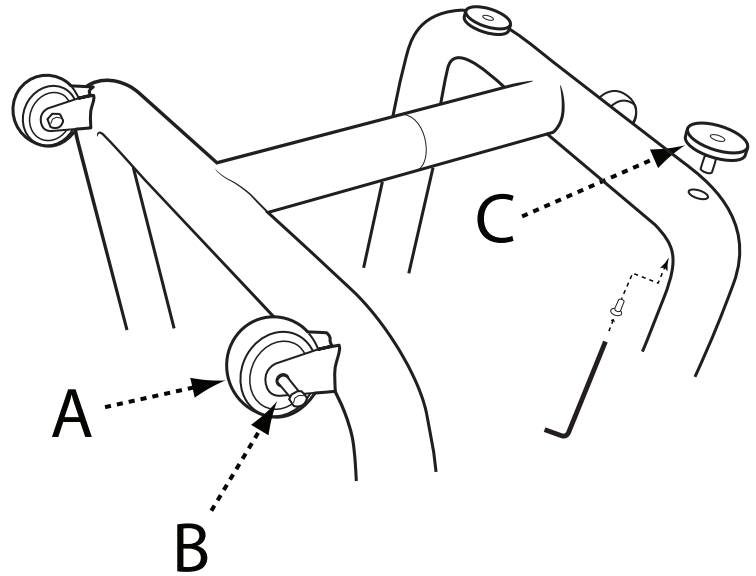


FIGURA 2

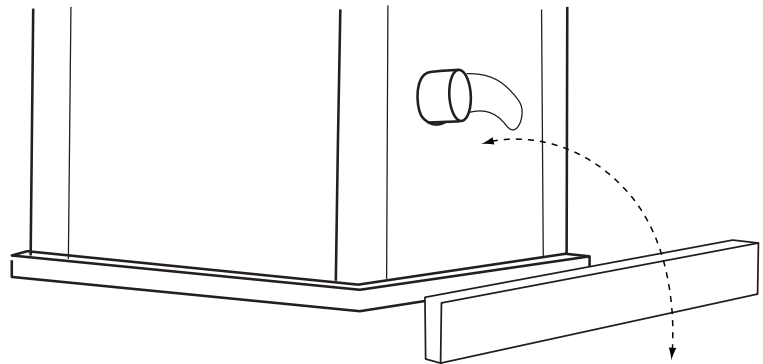


FIGURA 3

ALAS DE EXTENSIÓN

1. Sujete las alas de extensión (A) a la mesa usando dos tornillos hexagonales de 5/16"-18 en cada ala. Las alas se sujetan en la parte inferior.
2. Asegúrese de que las alas estén al ras con la parte superior de la mesa.

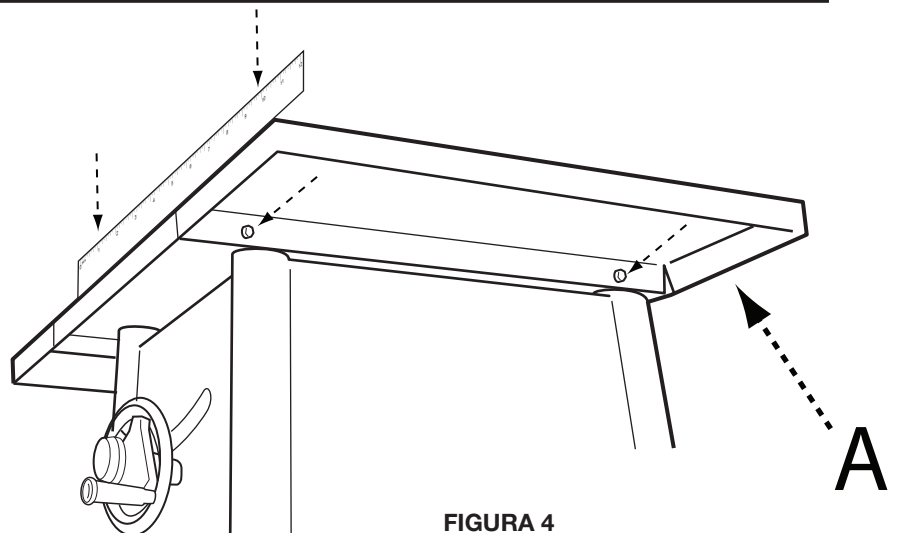


FIGURA 4

RIELES FRONTALES Y POSTERIORES

1. Sujete las mitades del riel frontal (ángulos de 2" X 2" de 36 3/4" y 20" de largo) al frente de la mesa y las alas de extensión. Alinee los orificios (A) en el frente de la parte superior de la mesa con los orificios (B) en la sección izquierda (corta) y derecha (larga) del riel frontal, como se muestra en la Figura 5, y sujételo usando cuatro tornillos de cabeza plana de 5/16 x 1 1/8 pulgadas, arandelas de seguridad 5/16 y tuercas de brida hexagonal de 5/16-18 x 7/8".
2. Sujete la placa de unión del riel (C) usando dos pernos de tope M5 x 16 y tuerca autoblocante M5 en los dos orificios donde se unen las secciones del riel.
3. Use el calibrador de alineación del riel proporcionado para asegurar que los rieles estén a la distancia correcta de la parte superior de la mesa. Vea la Figura 6. Los rieles frontales tienen orificios en ambas superficies del riel para sujetarlos a la mesa y al tope guía.
4. Sujete las mitades del riel posterior a la mesa con cuatro tornillos hexagonales de 5/16"-18. Acople las mitades del perfil trasero a las alas de extensión utilizando tornillos de cabeza plana 5/16-18 x 1 1/8", arandelas de seguridad 5/16" y tuercas con brida 5/16-18. Use la ranura en el calibrador proporcionado para asegurar que los rieles estén a la distancia correcta de la parte superior de la mesa.
5. Sujete la barra separadora (D) al extremo exterior de los rieles frontal y posterior usando pernos de tope M8 x 16 y tuercas autoblocantes M8. Vea la Figura 5.

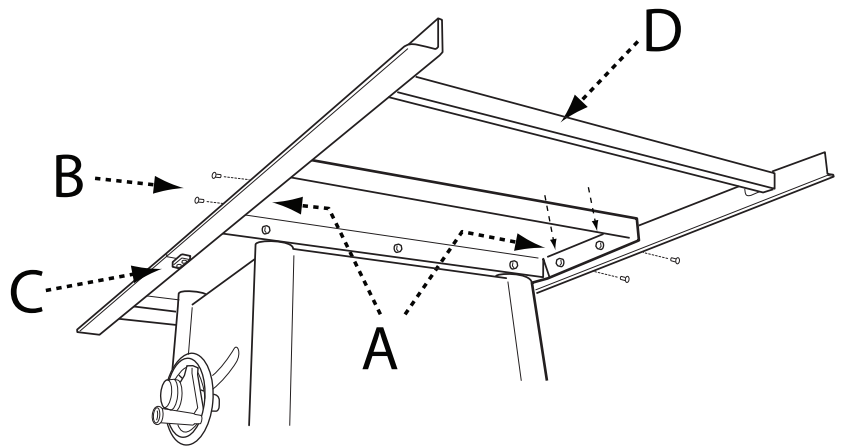


FIGURA 5

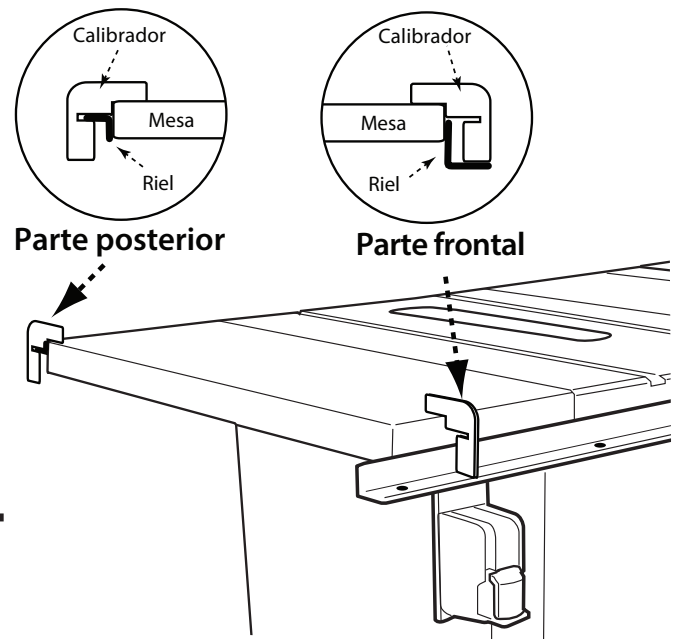


FIGURA 6

TOPE GUÍA Y CAJA DE CONTROL DE ENERGÍA

1. Conecte las dos mitades del tope guía (A y B) insertando el extremo más pequeño en el extremo más grande. Vea la Figura 7.
2. Sujete el tope guía al riel frontal usando cinco tornillos de cabeza hexagonal de 1/4-20 x 1/2 pulgada y resorte de seguridad de 1/4 de pulgada por los orificios (C) en el lado inferior del riel frontal.
3. Alinee los dos orificios en la abrazadera de la caja de control de energía con los orificios inferiores del riel frontal (D) ubicados en el lado izquierdo de la sierra. Asegure la caja de control de energía al riel frontal usando dos tornillos de cabeza redonda de 1/4-20 x 1/2 pulgada.
4. Sujete el cable de corriente sobrante al lado posterior del riel frontal con una abrazadera de alambre y un tornillo de cabeza redonda en cruz M5 x 6 mm.

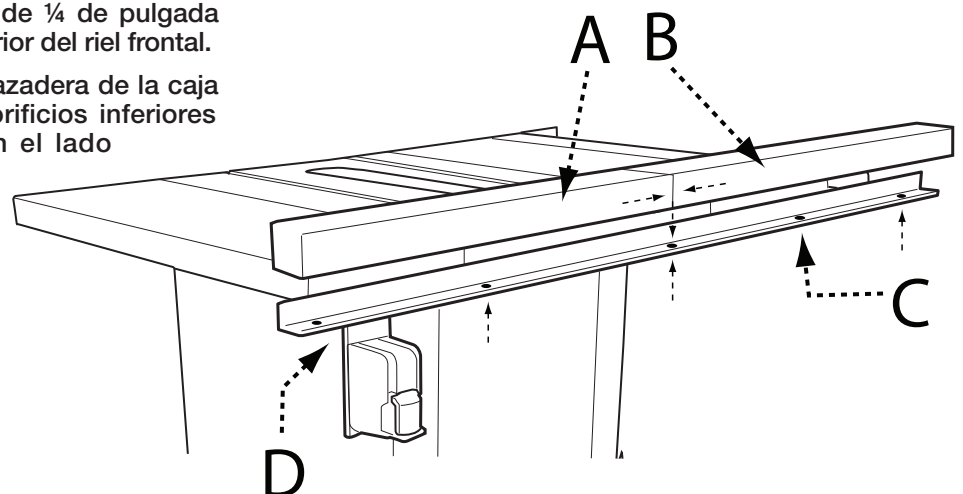


FIGURA 7

PLACA DE GARGANTA

1. Para instalar la placa de garganta, baje la hoja hasta abajo de la parte superior de la mesa, luego con cuidado deslice la placa de garganta, primero el extremo ranurado, desde la parte frontal de la mesa hasta la parte posterior, manteniendo la hoja centrada dentro de la ranura en la placa de garganta. Vea la Figura 8. La placa debe descansar dentro de la cavidad en la parte superior de la mesa.
2. Asegúrese de que placa de garganta esté al ras con la parte superior de la mesa.
3. Si la garganta no está al ras con la parte superior de la mesa, ajuste la altura de la placa de garganta usando los cuatro tornillos de fijación (A).

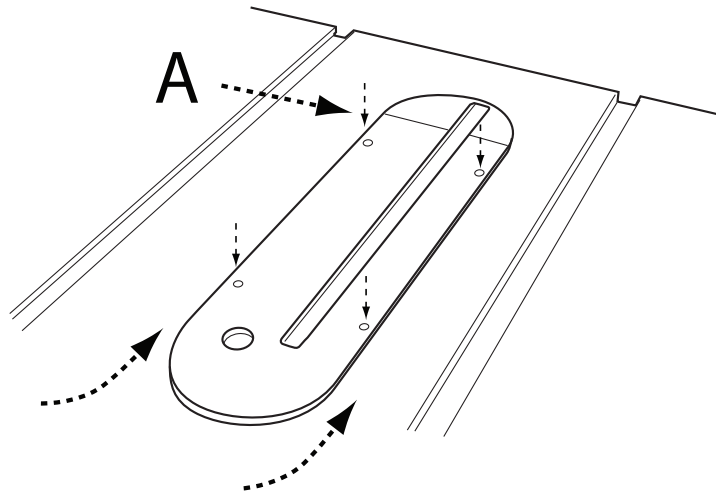


FIGURA 8

NOTA: Al instalar el separador, los trinquetes anti contragolpe y la guarda para hoja, la hoja debe estar en la posición de 90° y elevada a la máxima altura. Consulte la sección de elevación y descenso la hoja en la página 79.

HOJA Y SEPARADOR

⚠ ADVERTENCIA: Para reducir el riesgo de una lesión grave personal, el separador debe estar instalado y debidamente posicionado en cada corte completo y sin traspaso posible.

1. La sierra se envía con la hoja y el separador instalados y alineados correctamente. El separador viene instalado en la posición inferior para corte sin traspaso. Antes de operar la sierra, verifique que la alineación de la hoja con la ranura del inglete y del separador con la hoja no se haya afectado durante

el envío. Para verificar la alineación de la hoja y el separador, consulte la página 91 en la sección de alineación en este manual.

2. El separador viene instalado en la posición inferior para corte sin traspaso. Para sujetar los ensambles de trinquetes anti contragolpe y guarda para hoja, el separador debe estar en la posición elevada como se muestra en la Figura 9. Para elevar y bajar el separador, consulte la sección de ajustes de altura del separador en la página 81.

TRINQUETES ANTI CONTRAGOLPE Y GUARDA PARA HOJA

TRINQUETES ANTI CONTRAGOLPE

⚠ ADVERTENCIA: Para reducir el riesgo de lesiones graves personales, los trinquetes anti contragolpe deben colocarse cuando se realiza un corte completo.

1. Consulte la Figura 9 y ubique la ranura de montaje de los trinquetes anti contragolpe (A) en medio del borde superior del separador.
2. Deslice la ranura situada en medio del ensamble de los trinquetes anti contragolpe por la parte superior del separador hasta que el vástago (B) encuentre la ranura central en el separador.
3. Empuje el vástago en el ensamble de trinquetes anti contragolpe (B) para dejar que el ensamble caiga dentro de la ranura. Empuje el ensamble de trinquetes anti contragolpe hacia abajo hasta escuchar un chasquido y que quede firme. Suelte el vástago. **NOTA:** Jale los trinquetes anti contragolpe hacia arriba para comprobar que estén correctamente sujetos.

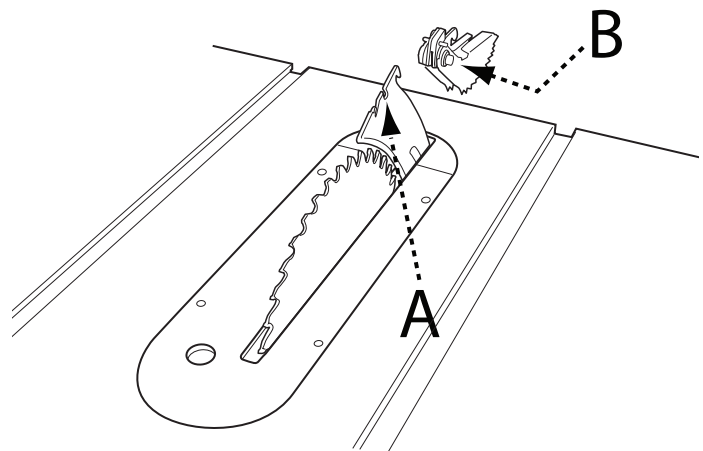


FIGURA 9

Para quitar los trinquetes anti contragolpe, empuje el vástago (B) y jale del ensamble de anti contragolpes para retirarlo del separador.

GUARDA PARA HOJA

⚠ ADVERTENCIA: Para reducir el riesgo de lesiones graves personales, la guarda para hoja debe colocarse cuando se realiza un corte completo.

1. Al tiempo que sostiene el ensamblaje de guarda para hoja (A) en posición vertical, enganche el pasador de posicionamiento (B) situado en la parte posterior del ensamblaje de guarda para hoja dentro de la ranura situada en el borde posterior del separador.
2. Gire el ensamblaje de guarda para hoja hacia la parte frontal de la sierra hasta que la parte metálica (C) del ensamblaje de guarda para hoja esté paralelo con la mesa como se muestra en la Figura 10.
3. Al tiempo que sujeta la parte frontal de la parte metálica de la guarda (C) presione la palanca de bloqueo de la guarda para hoja (D) hacia abajo hasta escuchar un chasquido para trabarla en su lugar. Verifique que la guarda esté enganchada al separador jalando de la misma. Si la guarda no está sujeta, la palanca de bloqueo de la guarda para hoja se levantará a la posición de desbloqueo.

⚠ ADVERTENCIA: Si la parte metálica del ensamblaje de guarda para hoja (C) no está paralela a la mesa, el separador no está en la posición elevada. Retire el ensamblaje de guarda para hoja y los trinquetes anti contragolpe y suba el separador, luego vuelva a instalar los trinquetes anti contragolpe y el ensamblaje de guarda para hoja.

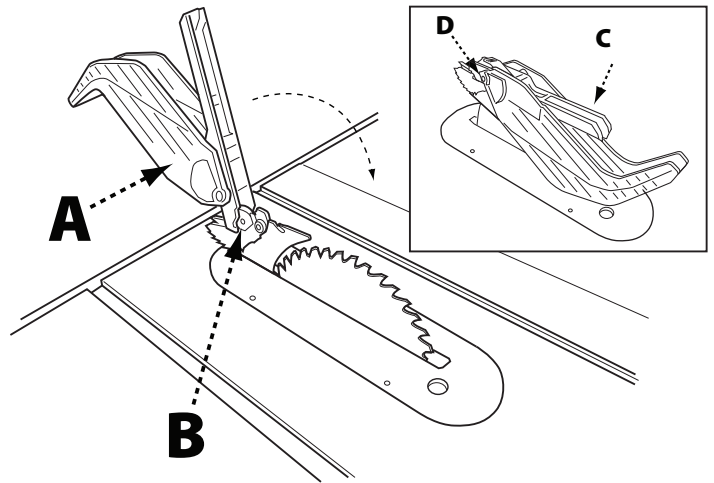


FIGURA 10

Para retirar el ensamblaje de la guarda para hoja:

1. Levante la palanca de bloqueo del ensamblaje de la guarda para hoja (D) a la posición de desbloqueo.
2. Gire la guarda hacia atrás y deslice el pasador (B) de la ranura del separador.

TOPE GUÍA PARA CORTE AL HILO

Sujete la agarradera a la leva de la guía

El tope guía para corte al hilo se desliza hacia dentro del riel guía posterior de modo que el gancho esté abajo del riel posterior y quede montado sobre el tubo de la guía frontal. La guía se bloquea en su lugar aplicando presión en un movimiento descendente sobre la agarradera del tope guía para corte al hilo. La alineación del tope guía para corte al hilo debe verificarse antes de usar la sierra. Para verificar la alineación del tope guía para corte al hilo, consulte la instrucciones de alineación en la página 92.

GALGA DE INGLETE

Inserte la galga de inglete en cada ranura de inglete para asegurar que se deslice sin problemas. Consulte la sección de ajuste de topes de inglete en la página 91 para ajustar la precisión de la galga de inglete.

ALMACENAMIENTO INCLUIDO

La sierra de mesa para contratista Delta #36-725 incluye un almacenamiento para la galga de inglete, llave de eje, empujador y tope guía proporcionados. Además hay un almacenamiento incluido para hojas de sierra de repuesto (de venta por separado). Las áreas de almacenamiento para la galga de inglete, la hoja de repuesto y llave del eje se encuentran en el panel lateral derecho de la máquina y están preinstaladas.

El almacenamiento incluido para la guía y el empujador se encuentra al lado izquierdo de la sierra.

AJUSTE DE LOS TOPES BISELADOS POSITIVOS DE 90° Y 45°

Hay topes positivos en cada extremo del rango de biselado. Para garantizar cortes exactos, los topes positivos deben colocarse exactamente a 90° y 45°. Los topes biselados están correctamente ajustados al momento del envío. Sin embargo, para mayor precisión, debe revisar la posición de los topes después del ensamblado y de vez en cuando para garantizar que los ajustes continúan siendo satisfactorios. Para comprobar la posición de los topes y, de ser necesario, realizar un ajuste, consulte la Figura 11 y realice los siguientes pasos.

1. Suelte la perilla de bloqueo para inclinar la hoja.
2. Gire la rueda manual de inclinación de la rueda hacia la derecha para inclinar la hoja alejándola de la posición perpendicular para luego regresarla hasta que el tope alcance la "posición de tope".
3. Usando una escuadra, compruebe el ángulo de la parte frontal de la hoja con la mesa como se muestra en la Figura 17b, en la página 81. Si la hoja está a 90° con la mesa, continúe con el paso 6.
4. Si la hoja no está perpendicular con la mesa, gire la rueda manual para inclinar ligeramente la hoja y alejarla de la posición de tope, luego ajuste el tope de 90° girando el tornillo con hueco hexagonal ubicado en la parte superior de la mesa inmediatamente al frente del lado izquierdo de la placa de garganta (A). Vuelva a revisar el ángulo usando una escuadra y continúe ajustando hasta

que la hoja esté a 90 grados cuando se regresa a la posición de tope.

5. Gire la rueda de inclinación de la hoja hacia la izquierda hasta llegar al tope de 45°. Luego repita los pasos 4 y 5, ajustando el tope de 45° al girar el tornillo de cabeza hexagonal ubicado en la parte frontal del lado derecho de la placa de garganta. (B)

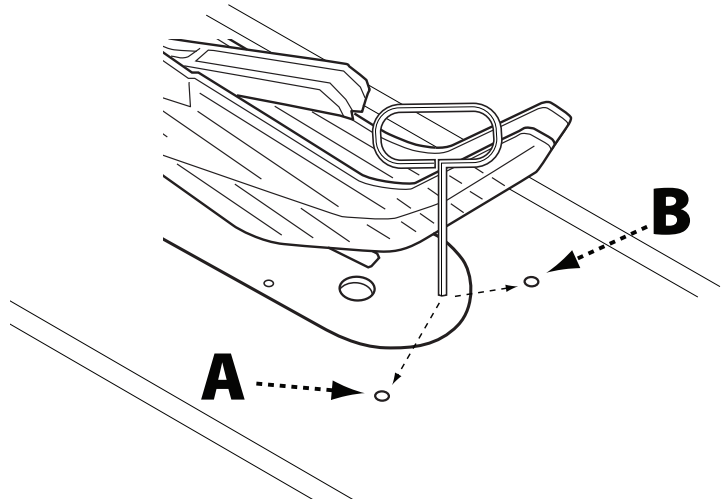


FIGURA 11

SUJECIÓN DE LA SIERRA AL PISO

⚠ ADVERTENCIA: Esta sierra está diseñada para ser fácil de transportar. No intente usar la sierra para cortar una pieza de trabajo grande o difícil sin antes seguir los pasos adecuados para evitar volcar la sierra. Ejemplos de los pasos adecuados incluyen el uso de mesas de soporte y/o asegurar las patas de la sierra al piso reemplazando las patas de la

sierra con pernos de acoplamiento o sujetando las patas a un soporte montado en el piso con abrazaderas en U.

PREPARACIÓN PARA CORTES

⚠ ADVERTENCIA: Ignorar las siguientes advertencias pudiera resultar en graves lesiones personales.

- **SIEMPRE** asegúrese de que la pieza de trabajo no esté en contacto con la hoja antes de presionar el interruptor para arrancar la sierra. El contacto con la hoja podría resultar en un contragolpe o la expulsión de la pieza de trabajo.
- Para reducir el riesgo de un arranque accidental, **SIEMPRE** asegúrese de que el interruptor esté en la posición de apagado antes de conectar la sierra a una fuente de poder.
- **NO** use hojas con una tasa de velocidad menor a la de esta herramienta. No seguir esta advertencia podría resultar en graves lesiones personales.

- Apague la unidad y desconéctela de la fuente de poder antes de instalar y quitar accesorios, antes de ajustar y al realizar reparaciones. Un arranque accidental puede provocar una lesión.
- Antes de utilizar la sierra, asegúrese de estar familiarizado con sus funciones y controles y haber realizado todos los ajustes necesarios que se describen a continuación.

PREPARACIÓN PARA CORTES (continuación)

ELEVACIÓN Y DESCENSO DE LA HOJA

En la mayoría de las aplicaciones, se recomienda que eleve la hoja 1/8 pulg. (3.2 mm) a 1/4 pulg. (6.4 mm) por encima de la superficie superior de la pieza de trabajo.

Suba o baje la hoja con la rueda manual (A) situada en la parte frontal de la sierra (consulte la Figura 12).

1. Antes de subir o bajar la hoja asegúrese de aflojar la perilla de bloqueo (B) girándola hacia la izquierda.
2. Para subir la hoja de sierra, gire la rueda manual hacia la derecha. Para bajar la hoja de sierra, gire la rueda manual hacia la izquierda.
3. Apriete la perilla de bloqueo para mantener la hoja a la altura deseada. Solo se necesita un poco de fuerza para trabar firmemente el mecanismo de elevación de la hoja. Cualquier fuerza adicional solo aplica tensión innecesaria en el dispositivo de bloqueo.
4. Después de usar la sierra y al realizar el mantenimiento, ajustes o reparaciones, baje la hoja por debajo de la superficie de la mesa.

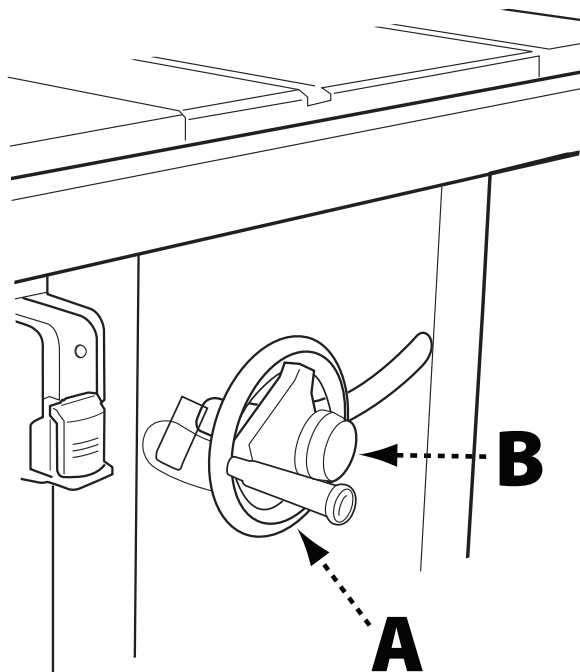


FIGURA 12

INCLINACIÓN DE LA HOJA

La hoja se puede inclinar hasta 45° a la izquierda usando la rueda de inclinación de hoja (A) ubicada en el panel lateral derecho de la sierra. El ángulo de inclinación se mide con el calibre de bisel en la parte frontal de la sierra. Para inclinar la hoja de sierra:

1. Afloje la perilla de bloqueo (B) hacia la izquierda y gire la rueda manual hacia la derecha. Un indicador en la parte frontal de la sierra indica el ángulo de inclinación en incrementos de 1/2 grado.
2. Para bloquear la hoja de sierra al ángulo deseado, apriete la perilla de bloqueo girándola hacia la derecha.

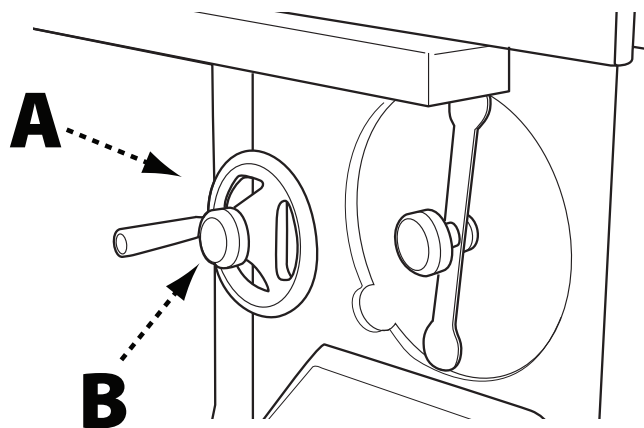


FIGURA 13

PREPARACIÓN PARA CORTES (continuación)

SELECCIÓN Y ALMACENAMIENTO DE LAS HOJAS DE SIERRA

Los separadores deben coincidir con las dimensiones de la hoja de sierra para poder funcionar eficazmente.

La hoja de sierra proporcionada con la sierra nueva es una hoja de combinación de 10 pulgadas (254 mm) usada para cortes transversales (en contra de la veta) y cortes al hilo (con la veta) en la pieza de trabajo. El orificio del eje de la hoja mide 5/8 de pulgada (16 mm) de diámetro. Esta hoja producirá un corte de buena calidad en la mayoría de las aplicaciones.

Existen muchos tipos de hojas disponibles para realizar trabajos específicos y especiales tales como corte transversal únicamente, cortes al hilo únicamente, cortes ranurados en madera contrachapada, revestimiento de madera, etc.

Use solo hojas de sierra diseñadas para las máximas velocidades de operación segura de 3,600 RPM o más.

Las hojas de sierra siempre deben mantenerse afiladas. Se recomienda que ubique un servicio de afilado de buena reputación para afilar las hojas cuando sea necesario.

Nunca apile las hojas una sobre la otra durante el almacenamiento. Coloque un material tal como cartón entre ellas para evitar que las hojas tengan contacto una con otra o colóquelas en una gaveta de almacenamiento.

No deben usarse muelas u hojas abrasivas (incluyendo las de diamante) con esta sierra.

CAMBIO DE LA HOJA DE LA SIERRA

⚠ ADVERTENCIA:

- Use solo hojas de 10 pulgadas (254 mm) de diámetro con orificios de eje de 5/8 pulg. (16 mm), tasa de 3,600 rpm o más, un ancho de corte mínimo de 0.102 pulgadas (2.6 mm) y un grosor máximo de 0.073 pulgadas (1.8 mm).
 - Para reducir el riesgo de lesiones, apague la unidad y desconéctela de la fuente de poder antes de instalar y quitar hojas y accesorios, antes de ajustar y al realizar reparaciones. Un arranque accidental puede provocar una lesión.
1. Retire la placa de garganta y eleve la hoja de sierra a la altura máxima.
 2. Presione y sostenga el botón de bloqueo del eje (A) que se muestra en la Figura 14.
 3. Use la llave de eje incluida para quitar la tuerca y brida retenedora de hoja (B). Retire la hoja usada.

4. Coloque la nueva hoja en el eje con los dientes hacia abajo en la dirección que gira la hoja hacia la parte frontal de la mesa de la sierra.
5. Coloque y apriete la tuerca y brida retenedora de hoja.
6. Vuelva a colocar la placa de garganta.

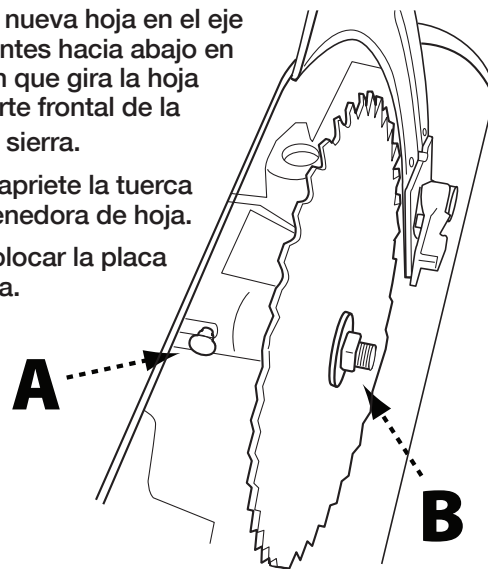


FIGURA 14

POSICIÓN DEL SEPARADOR

NOTA: Los dispositivos de seguridad, el ensamble de guarda para hoja y ensamble de anti contragolpe se han quitado en la Figura 15 para poder mostrar el lugar de características específicas. Al operar la sierra, estos dispositivos de seguridad deben estar instalados y funcionando correctamente.

El separador es una placa plana que se acomoda en el corte realizado por la hoja de sierra y combate eficazmente el contragolpe reduciendo la tendencia de la hoja a atascarse en el corte. Debe estar instalado y posicionado correctamente en cada corte completo y en cada corte sin traspaso a menos que el separador interfiera con la pieza de trabajo.

El grosor del separador (A) debe ser mayor que el cuerpo de la hoja o grosor de la placa (B) y menor que el ancho de corte (C) como se muestra en la Figura 15. El separador incluido con esta sierra mide 2.2 mm de grosor y puede usarse únicamente con una hoja de 10 pulgadas (254 mm) con un ancho de

corte mínimo de 0.102 pulgadas (2.6 mm) y un grosor máximo de 0.073 pulgadas (1.8 mm). No intente usar este separador con hojas que no tengan estas dimensiones.

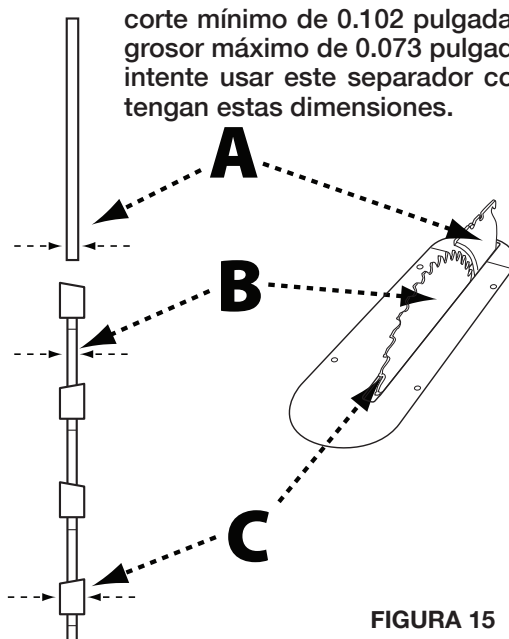


FIGURA 15

PREPARACIÓN PARA CORTES (continuación)

AJUSTES DE ALTURA DEL SEPARADOR

La altura del separador debe ajustarse en base al tipo del corte a realizar. Para todos los cortes completos (cuando la madera se separa por completo), debe estar en la posición elevada con los dedos anti contragolpe y guarda instalados. Para cortes sin traspaso (cuando la hoja no penetra la parte superior de la pieza de trabajo), el separador debe estar en la posición descendente y los dedos anti contragolpe y la guarda no deben estar instalados.

PARA SUBIR O BAJAR EL SEPARADOR:

1. Retire la placa de garganta.
2. Eleve la hoja a la máxima altura sobre la mesa.
3. Jale la palanca de desbloqueo del separador (A) para liberar el separador del mecanismo de sujeción. Vea la Figura 16.
4. Empuje el separador y palanca de desbloqueo al lado del eje de la hoja para soltar el separador de los pasadores.
 - a. Para ajustar el separador en la posición de corte completo, jálelo hacia arriba hacia los pernos posicionadores inferiores.
 - b. Para mover el separador a la posición de corte sin traspaso, empújelo hacia abajo hacia los pernos posicionadores superiores.

NOTA: Al ajustar el separador hacia abajo o arriba, asegúrese de jalar en un movimiento circular como se muestra.

1. Suelte la palanca y jale del separador para asegurarse de que está correctamente colocado en la posición elevada o descendente.
2. Sujete firmemente el separador empujando la palanca de sujeción del separador hacia abajo a la posición horizontal.
3. Vuelva a colocar la placa de garganta.

⚠ ADVERTENCIA: NO utilice la sierra a menos que el separador esté sujetado firmemente en la posición elevada para cortes completos o en la posición descendente para cortes sin traspaso.

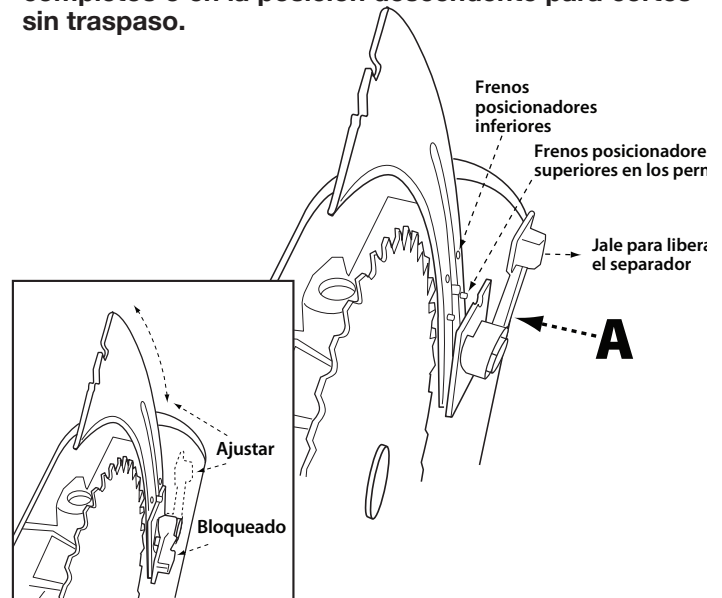


FIGURA 16

REVISIÓN DE LA ALINEACIÓN DEL SEPARADOR

⚠ ADVERTENCIA: Antes de conectar la sierra de mesa a la fuente de poder y utilizarla, siempre inspeccione el ensamblaje de guarda para hoja y el separador para verificar la alineación y la distancia con la hoja de sierra. Revise la alineación del separador después de cada cambio de hoja.

PARA COMPROBAR LA ALINEACIÓN:

1. **Alineación horizontal:** Coloque una regla en la mesa contra la parte frontal de la hoja (A) y asegúrese de que se extienda a lo largo del separador (B) como se muestra en la Figura 17a. El separador debe tocar ligeramente la regla. Asegúrese de que la regla se acomode entre los dientes y descansa sobre la parte frontal de la hoja y el separador para una alineación correcta.

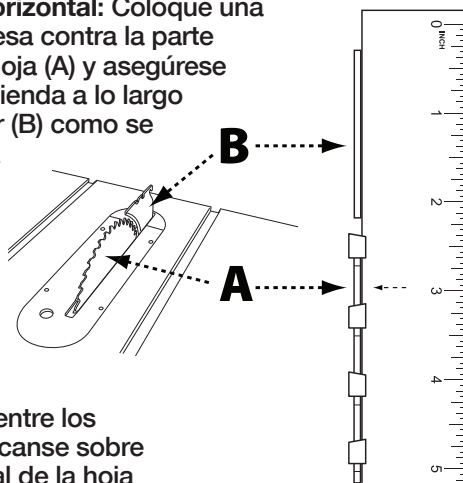


FIGURA 17a

1. **Alineación vertical:** Coloque una escuadra sobre la mesa y contra la parte frontal de la hoja, y asegúrese de que se extienda a lo largo del separador (B) como se muestra en la Figura 17b. El separador y la hoja deben tocar la escuadra sin ningún espacio. Asegúrese de que la regla se acomode entre los dientes y descansa sobre la parte frontal de la hoja y el separador para una alineación correcta.

Si el separador y la hoja no están alineados horizontal o verticalmente, consulte las instrucciones de alineación del separador en la página 91 de este manual.

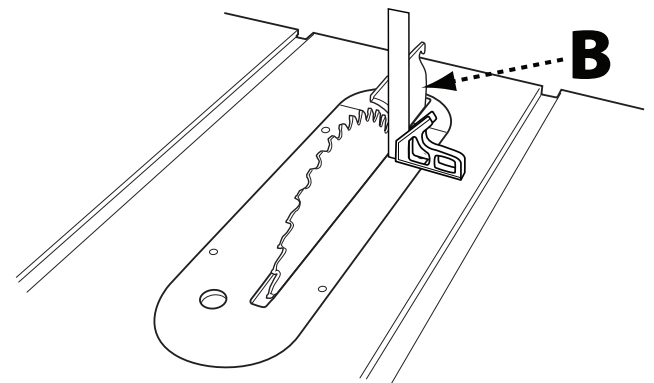


FIGURA 17b

PREPARACIÓN PARA CORTES (continuación)

USO DE LA GALGA DE INGLETE

La galga de inglete está equipada con topes divisores ajustables a 90°, 75°, 60°, 45° y 30°. Para preparar el inglete para un corte en ángulo, consulte la Figura 18 y:

1. Afloje la manilla (A).
2. Presione la palanca de desmontaje.
3. Mueva el cuerpo de la galga de inglete al ángulo deseado.
4. Suelte la palanca de desmontaje y vuelva a apretar la manija.

La galga de inglete está equipada con una arandela en el extremo de la barra que se acomoda en la ranura en T de la mesa. Esto permite que la galga de inglete se quite del borde frontal de la mesa sin caerse. Con esto hay mayor espacio para la pieza de trabajo enfrente de la hoja.

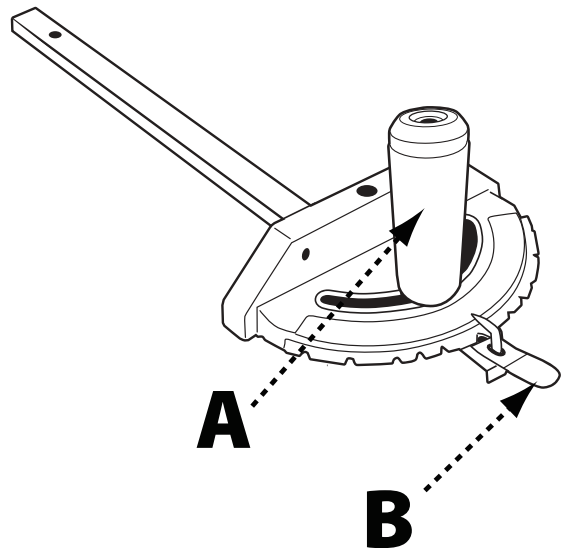


FIGURA 18

USO DEL ENSAMBLE DE GUARDA PARA HOJA

⚠ ADVERTENCIA: Los trinquetes anti contragolpe y la guarda para hoja deben usarse con todos los cortes completos. Mantenga los escudos protectores abajo y los brazos, manos y dedos lejos de la hoja, la guarda para hoja y trinquetes anti contragolpe cuando está encendida la sierra para evitar lesiones graves. Consulte las instrucciones de ensamblaje en la página 76 para información sobre la instalación y remoción de los trinquetes anti contragolpe y guarda para hoja.

Si hay necesidad de elevar ligeramente la guarda para hoja (por ejemplo, para tomar medidas), la guarda puede dejarse en una posición elevada.

1. Consulte la Figura 19 y, levantando la guarda desde el frente, eleve el escudo protector hasta llegar a la posición de bloqueo que se indica con un chasquido. Pueden elevarse uno o ambos escudos protectores.
2. Al terminar de tomar las medidas, regrese la guarda a la posición de funcionamiento.

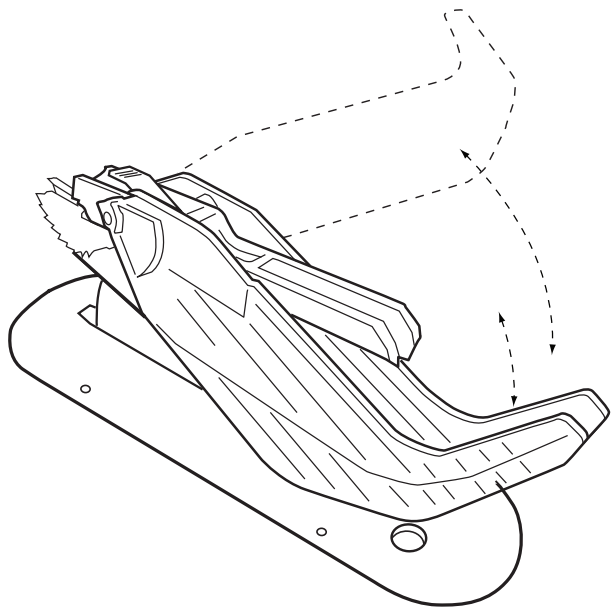


FIGURA 19

REVISIÓN DE LA ALINEACIÓN DE LA GUÍA

⚠ ADVERTENCIA: No intente utilizar un tope guía para corte al hilo que no esté correctamente alineado.

Cada vez que utilice el tope guía para corte al hilo, compruebe su alineación para asegurarse de que la guía esté paralela a la ranura de inglete. Para verificar la alineación del tope guía para corte al hilo, coloque la guía adyacente a la ranura de inglete y sujete la guía en su lugar. Si la guía no está alineada con la ranura de inglete desde la parte frontal a la posterior, consulte las instrucciones para la alineación del tope guía para corte al hilo en la página 92 de este manual.

Si no puede alinear con éxito el tope guía para corte al hilo, reemplace el tope guía o comuníquese al 1-800-223-7278 para solicitar más instrucciones.

FUNCIONAMIENTO

⚠ ADVERTENCIA: No respetar las siguientes advertencias puede resultar en graves lesiones personales.

LEA TODO EL MANUAL. Además de leer estas instrucciones de uso, es importante leer y comprender todo el manual antes de utilizar esta sierra. Siga todas las instrucciones que apliquen sobre el ensamble, preparación y ajuste antes de realizar cualquier corte y siga todas las reglas de seguridad y advertencias en esta sección y en otras secciones de este manual.

1. Cada vez que use la sierra, repase la siguiente lista de verificación:
 - ¿Son adecuadas la fuente de poder y las conexiones a la fuente de poder para la sierra?
 - ¿La sierra y el área de trabajo están libres de obstrucciones y espectadores?
 - ¿Está la hoja apretada y correctamente alineada?
 - ¿El grosor del separador coincide con la hoja?
 - ¿La hoja y el separador están correctamente alineados?
 - ¿El operador está calificado para realizar el corte y familiarizado con todas las reglas, advertencias e instrucciones de seguridad relevantes que se incluyen en este manual?
 - ¿El operador y todas las personas que están cerca de la sierra están usando protección de ojos, oídos y equipo respiratorio adecuados?
 - ¿El ángulo de bisel y las perillas de ajuste de altura están bloqueados en la posición correcta?
 - ¿La hoja está situada a la altura adecuada?
 - Si realiza un corte al hilo, ¿el tope guía para corte al hilo está paralelo con la hoja y enganchado firmemente en la posición?
 - Si realiza un corte transversal, ¿está apretada la perilla de la galga de inglete?
 - Si realiza cortes completos con una hoja estándar, ¿están la guarda para hoja, separador y trinquetes anti contragolpe correctamente instalados y funcionando adecuadamente con ambas guardas tocando la superficie de la mesa?
 - ¿Hay espacio libre y soporte adecuados para la pieza de trabajo a medida que sale de la hoja?
 - ¿Es necesario tener auxiliares de corte? Si es así, ¿están instalados o al alcance para su uso correcto?
2. El uso de aditamentos y accesorios no recomendados por DELTA® Power Equipment Corporation pudiera resultar en lesiones.
3. Reemplace o afile los dedos anti contragolpe cuando las puntas pierdan filo.
4. Asegúrese de que la sierra esté estable y puedan realizarse cortes sin volcar la sierra. No intente cortar piezas de trabajo largas sin asegurar la sierra a una superficie estable. Para asegurar correctamente la sierra, consulte las instrucciones en la sección titulada sujeción de la sierra al piso en la página 78 de este manual.
5. Nunca use el tope guía y galga de inglete juntos sin usar un bloque de corte como se describió anteriormente.
6. La placa de garganta adecuada debe estar instalada en todo momento.
7. Si la sierra produce un ruido desconocido o si vibra en exceso, deje de usarla inmediatamente hasta ubicar y corregir la fuente del problema.
8. Nunca realice cortes a mano libre, cortes por penetración, reaserramientos ni cortes cóncavos.

EVITAR LOS CONTRAGOLPES

Un contragolpe puede ocurrir cuando la pieza de trabajo presiona la hoja o se atasca entre la hoja de sierra y el tope guía para corte al hilo u otro objeto fijo. Esto puede causar que la pieza de trabajo se eleve de la mesa o sea expulsada hacia el operador. Consulte las instrucciones para reducir el riesgo de contragolpes en la página 70 de este manual.

SI OCURRE UN CONTRAGOLPE, apague la sierra y verifique la alineación de la hoja, el separador y la galga de inglete o el tope guía para corte al hilo, y el funcionamiento adecuado del separador, ensamble de anti contragolpe y el ensamble de guarda para hoja antes de reanudar el trabajo.

ARRANQUE Y PARO DE LA SIERRA

El interruptor POWER (encendido) (Figura 20) se encuentra abajo del ala de extensión izquierda frontal.

1. Para encender la sierra, levante el encendedor de paleta rojo (A) y jálelo hacia usted.
2. Para apagar la sierra, baje el encendedor de paleta rojo.

Cuando no está en uso, la sierra debe apagarse y el interruptor de alimentación debe bloquearse para evitar el uso no autorizado. Para bloquear el interruptor de alimentación, use un candado de grillete largo estándar, con un grillete que mida al menos 2 ¾ pulgadas (70 mm) de largo y los postes de este no sean mayores a 9/32 de pulgada (7 mm) de grosor.

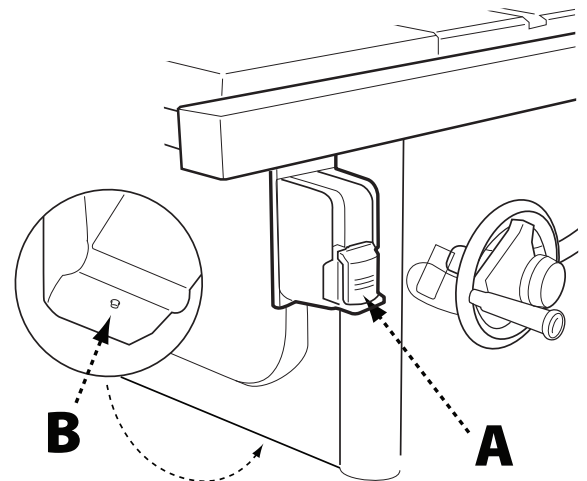


FIGURA 20

PROTECCIÓN CONTRA SOBRECARGAS

La sierra se proporciona con protección contra sobrecargas. Si el motor se apaga o no arranca debido a una sobrecarga (está cortando el material muy rápido, usa una hoja sin filo, usa la sierra más allá de su capacidad, etc.) o bajo voltaje, deje enfriar el motor durante tres a cinco minutos. Luego presione

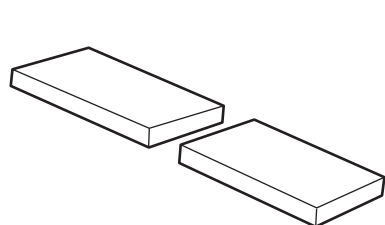
el botón rojo de restablecimiento (B) en el motor debajo de la sierra, que se muestra en la Figura 20 y vuelva a encender la sierra.

AVISO: Si el motor se apaga continuamente debido a una sobrecarga, comuníquese con un electricista calificado.

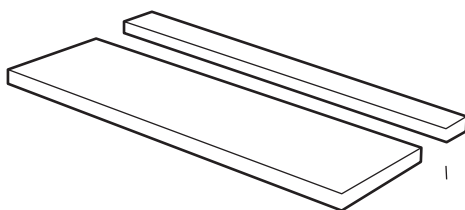
REALIZACIÓN DE CORTES

⚠ ADVERTENCIA: No respetar las siguientes advertencias puede resultar en graves lesiones personales.

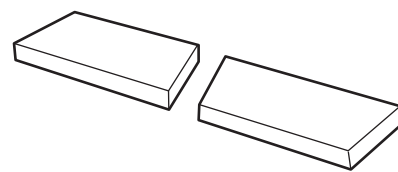
- Nunca toque el extremo suelto de la pieza de trabajo o una pieza suelta cortada, mientras la sierra esté encendida o la hoja de la sierra esté girando. Puede ocurrir un contacto o atasco con la hoja lo que resultaría en la expulsión de la pieza de trabajo.
- Al aserrar una pieza de trabajo o panel largo, use un soporte para la pieza, tal como un caballete, rodillos o mesa de salida que estén a la misma altura que la superficie de la mesa de la sierra.
- Nunca intente hacer retroceder la pieza de trabajo con la hoja girando. Si necesita retroceder la pieza de trabajo o levantarla de la mesa, apague la sierra, espere a que la hoja se detenga, eleve los dientes anti contragolpe en cada lado del separador si es necesario, y retire la pieza de trabajo.
- Antes de conectar la sierra de mesa a la fuente de poder o utilizarla, siempre inspeccione el ensamble de guarda para hoja y el separador para verificar la alineación y el espacio libre con la hoja de sierra. Verifique la alineación después de cada cambio de ángulo de biselado.
- SIEMPRE debe usar un tope guía para corte al hilo para las operaciones de cortes al hilo a fin de evitar perder el control y lesiones personales. Siempre enganche la guía al riel. NUNCA realice una operación de corte al hilo a mano libre.
- Cuando realice cortes biselados, coloque la guía en el lado derecho de la hoja de modo que esta se incline en dirección contraria a la guía y las manos. Mantenga las manos retiradas de la hoja y use un empujador para empujar la pieza de trabajo a menos que esta sea suficientemente grande para permitir sujetarla a más de 6 pulgadas (152 mm) de distancia de la hoja.
- Antes de dejar la sierra desatendida, bloquee el interruptor de alimentación o tome otras medidas adecuadas para evitar el uso no autorizado de la sierra.



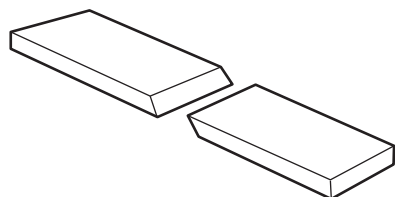
Corte transversal



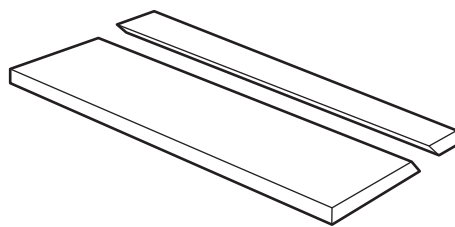
Corte al hilo



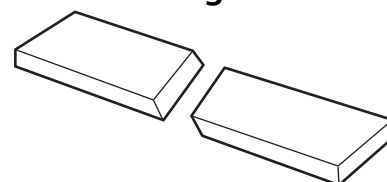
Corte transversal en inglete



Corte transversal biselado



Corte al hilo biselado



Corte de inglete compuesto

CORTES AL HILO

1. Retire la galga de inglete
2. Asegúrese de que el ángulo de biselado esté posicionado en 0° .
3. Ajuste la hoja a la altura correcta para la pieza de trabajo.
4. Instale el tope guía para corte al hilo y engánchelo paralelo con la hoja y a la distancia deseada de la misma.
5. Mantenga los dedos al menos a 6 pulgadas de distancia de la hoja en todo momento. Cuando la mano no pueda colocarse de manera segura entre la hoja y el tope guía para corte al hilo, seleccione una pieza de trabajo más grande o use un empujador y otros auxiliares de corte, según sea necesario, para controlar la pieza de trabajo.
6. Asegúrese de que la pieza de trabajo esté retirada de la hoja (al menos 1 pulgada o 25 mm de distancia) antes de encender la sierra.
7. Encienda la sierra.
8. Sujete la pieza de trabajo horizontalmente sobre la mesa y contra la guía (A). La pieza de trabajo debe tener un borde recto contra la guía y no debe estar deforme, torcida ni doblada. Vea la posición correcta de las manos en la Figura 21.
9. Espere a que la hoja alcance la velocidad completa antes de mover la pieza de trabajo hacia la hoja.
10. Ambas manos pueden usarse al iniciar el corte siempre que estas permanezcan a 6 pulgadas de distancia de la hoja.
11. Mantenga la pieza de trabajo contra la mesa y guía y empújela lentamente hacia atrás pasando por la hoja de la sierra hasta el final. No sobrecargue el motor forzando la pieza de trabajo contra la hoja.

12. Use el empujador y cualquier otro auxiliar de corte, según sea necesario, para sujetar la pieza de trabajo contra la mesa y la guía, y empuje la pieza de trabajo hasta que pase por la hoja. Un empujador se incluye con esta sierra. Además, se incluyen instrucciones para fabricar empujadores adicionales y otros auxiliares de corte.
13. No empuje ni sujete el lado suelto o cortado de la pieza de trabajo.
14. Continúe empujando la pieza de trabajo hasta que esté retirada de la hoja. No sobrecargue el motor forzando la pieza de trabajo contra la hoja.
15. Cuando termine el corte, apague la sierra. Espere a que la hoja se detenga por completo antes de retirar la pieza de trabajo de la mesa.

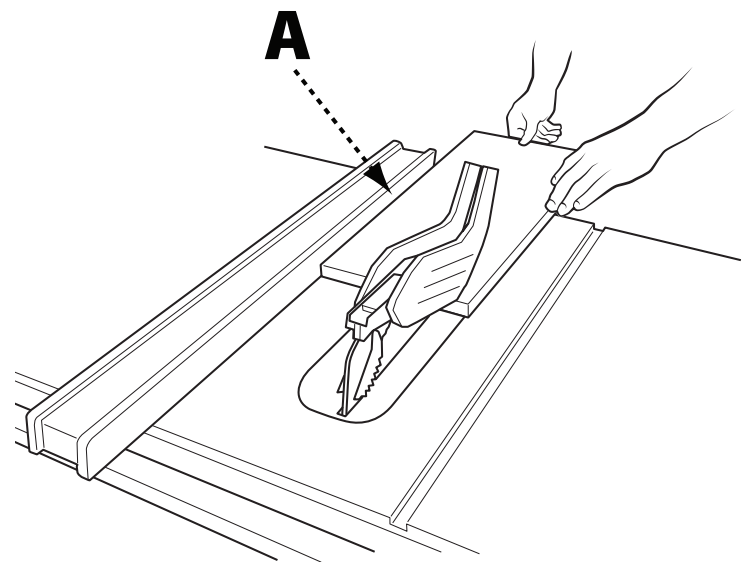


FIGURA 21

CORTE AL HILO BISELADO

Cortar al hilo biselado es igual al corte al hilo excepto que el ángulo de biselado (A) se ajusta a un ángulo excepto 0° . Cuando realice un corte al hilo biselado, coloque la guía en el lado derecho de la hoja de modo que esta se incline lejos de la guía y las manos.

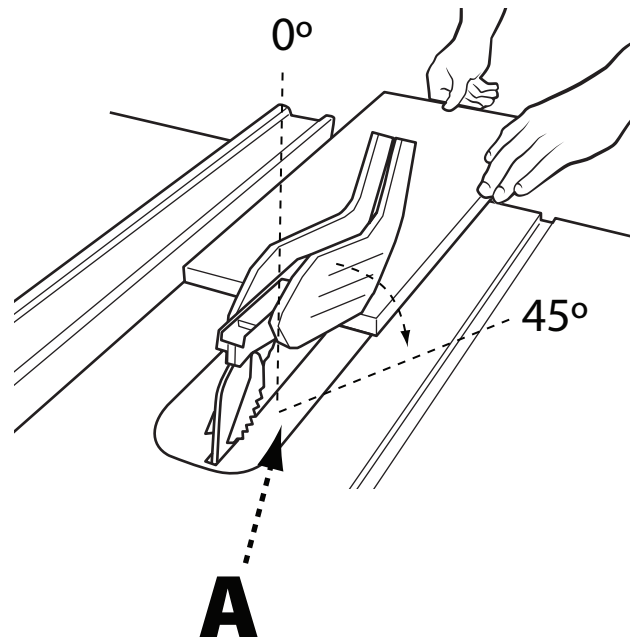


FIGURA 22

FUNCIONAMIENTO (continuación)

CORTE TRANSVERSAL

⚠ ADVERTENCIA:

- **NUNCA** use el tope guía como una guía o tope de largo al realizar un corte transversal.
- La pieza cortada nunca debe confinarse en ninguna operación de corte completo (cortar por completo la pieza de trabajo), para evitar pinchar la hoja, lo que puede resultar en la expulsión de la pieza de trabajo y lesiones posibles.
- Al usar un bloque como un calibre de corte, el bloque debe medir al menos 3/4 pulgada (19 mm) de grosor. Es muy importante que el extremo posterior del bloque se fije en una posición donde la pieza de trabajo esté alejada del bloque antes de entrar a la hoja para evitar atascar la pieza de trabajo.

Puede usar la galga de inglete en la ranura de la mesa en cortes sin biselado. Para aumentar el área de superficie de la cara de la galga de inglete, agregue una cara auxiliar (consulte la sección de auxiliares de corte en la página 89 de este manual).

Para realizar un corte transversal, consulte la Figura 23 y siga este proceso:

1. Retire el tope guía para corte al hilo.
2. Asegúrese de que el ángulo de biselado esté posicionado en 0°.
3. Ajuste la hoja a la altura correcta para la pieza de trabajo.
4. Coloque la galga de inglete en cualquiera de las ranuras de inglete.
5. Ajuste la galga de inglete a 0° y apriete la perilla de bloqueo de la galga de inglete.
6. Las manos deben permanecer al menos 6 pulgadas de distancia de la hoja durante todo el corte. Si una pieza de trabajo es demasiado pequeña para mantener las manos al menos a 6 pulgadas de distancia de la hoja, seleccione una pieza de trabajo más grande o coloque una cara auxiliar

a la galga de inglete y sujete la pieza de trabajo a la parte frontal del auxiliar, para instrucciones sobre cómo hacer auxiliares, consulte la sección auxiliares de corte en la página 89 de este manual.

7. Asegúrese de que la pieza de trabajo esté lejos de la hoja, al menos 1 pulgada o 25 mm de distancia, antes de encender la sierra.
8. Encienda la sierra.
9. Espere a que la hoja alcance la velocidad completa antes de mover la pieza de trabajo hacia la hoja.
10. La mano más cercana a la hoja debe colocarse en la perilla de bloqueo de la galga de inglete y la mano más alejada de la hoja debe sujetar la pieza de trabajo firmemente contra la parte frontal de la galga de inglete. No empuje ni sujete el lado suelto o cortado de la pieza de trabajo.
11. Lentamente empuje la pieza de trabajo pasándola por la hoja de sierra. No sobrecargue el motor forzando la pieza de trabajo contra la hoja.
12. Cuando termine el corte, apague la sierra. Espere a que la hoja se detenga por completo antes de retirar la pieza cortada de la mesa.

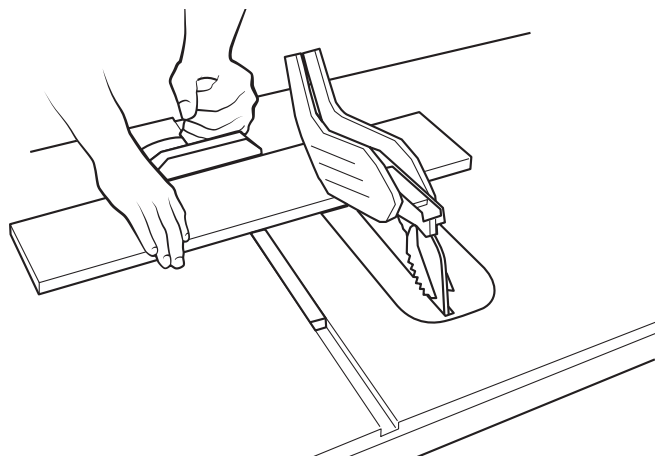


FIGURA 23

CORTE TRANSVERSAL BISELADO

El corte transversal biselado es igual al corte transversal excepto que el ángulo de biselado (A) se ajusta a un ángulo distinto a 90°. Cuando realice un corte transversal biselado, coloque la galga de inglete en la ranura de inglete derecha de modo que la hoja se incline lejos de la galga y las manos. Vea la Figura 24.

CORTES DE INGLETE

Los cortes de inglete son cortes transversales con la galga de inglete ajustada en un ángulo excepto 90°. Para instrucciones sobre cómo ajustar los ángulos de la galga de inglete, consulte la sección preparación para cortes. Para ajustar los topes de inglete divisores preestablecidos consulte la sección ajuste de los topes de inglete en la página 91 de este manual.

⚠ ADVERTENCIA:

- Los ángulos de inglete menores a 45° pueden forzar el ensamblaje de guarda para hoja contra la hoja de la sierra, lo que provocaría daños al ensamblaje de guarda para hoja y lesiones personales. Antes de arrancar el motor, pruebe el funcionamiento empujando la pieza de trabajo por el ensamblaje de guarda para hoja. Si el ensamblaje de guarda para

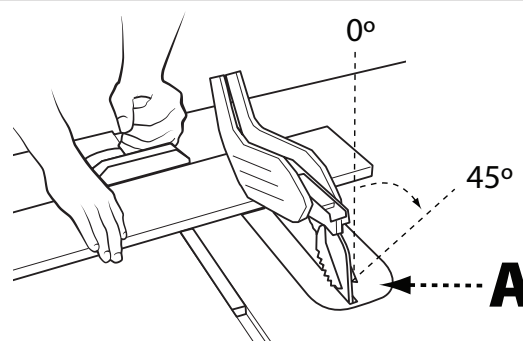


FIGURA 24

hoja hace contacto con la hoja, antes de arrancar el motor coloque la pieza de trabajo abajo del ensamblaje de guarda para hoja pero sin tocar la hoja.

- Ciertas formas de piezas de trabajo, tales como molduras, pueden no levantar correctamente el ensamblaje de guarda para hoja. Con la sierra apagada, empuje lentamente la pieza de trabajo hacia el área de la guarda para hoja hasta que la pieza de trabajo toque la hoja. Si el ensamblaje de guarda para hoja hace contacto con la hoja, coloque la pieza de trabajo abajo del ensamblaje de guarda para hoja pero sin tocar la hoja antes de arrancar el motor.

CORTES DE INGLETE COMPUESTOS

Este es una combinación de corte transversal biselado e ingletes. Consulte la Figura 25 y siga las instrucciones para corte transversal biselado e ingletes. Recuerde usar la ranura de inglete derecho para todos los cortes biselados.

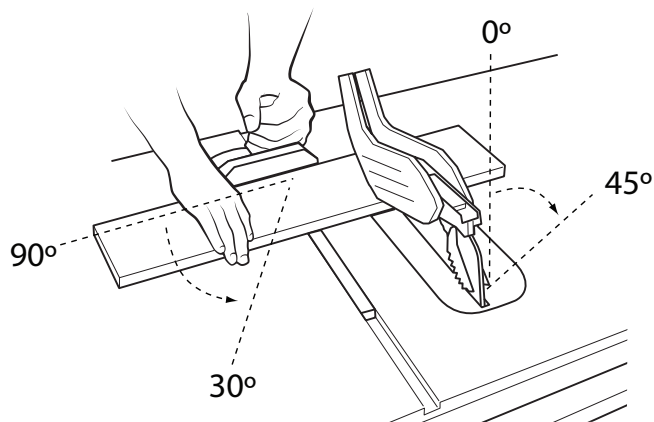


FIGURA 25

CORTES DE PANEL LARGOS

Coloque los soportes de la pieza de trabajo a la misma altura que la mesa de sierra atrás de la sierra para apoyar la pieza de trabajo cortada y a lo largo de la sierra, si es necesario. Dependiendo de la forma del panel, use el tope guía para corte al hilo o galga de inglete para controlar la pieza de trabajo. Si una pieza de trabajo es demasiado grande para usar ya sea un tope guía para corte al hilo o una galga de inglete, entonces es demasiado larga para esta sierra.

RANURAS Y OTROS CORTES SIN TRASPASO

El uso de un corte sin traspaso es esencial para cortar muescas, rebajos y ranuras. Los cortes sin traspaso pueden realizarse usando una hoja estándar con un diámetro de 10 pulgadas o menos, o una hoja para ranurar de hasta 13/16 de pulgada de ancho con un diámetro de 8 pulgadas o menos. Los cortes sin traspaso son el único tipo de cortes que deben realizarse sin el ensamblaje de guarda para hoja instalado. Asegúrese de que el ensamblaje de guarda para hoja se vuelva a instalar después de terminar este tipo de corte.

⚠ ADVERTENCIA:

- Al realizar cortes sin traspaso, siga todas las advertencias e instrucciones aplicables enumeradas a continuación además de las mencionadas anteriormente para el corte completo relevantes.
- Cuando realice un corte sin traspaso, la pieza de trabajo cubre la hoja durante la mayoría del corte. Está alerta a la hoja expuesta al inicio y fin de cada corte.

- Nunca empuje madera con las manos cuando realice cualquier corte sin traspaso tales como rebajos o ranuras. Siempre use una galga de inglete, bloques de empuje o empujadores y tablas de cuñas donde sea adecuado.
- Lea la sección correspondiente que describe el tipo de corte además de esta sección sobre los cortes sin traspaso o de ranuras. Por ejemplo, si el corte sin traspaso es un corte transversal recto, lea y comprenda esta sección sobre cortes transversales rectos antes de continuar.
- Una vez realizados todos los cortes de ranura y sin traspaso, desconecte la sierra y vuelva a instalar el separador o regréselo a la posición elevada. Instale los trinquetes anti contragolpe y la guarda para hoja.
- Siga con atención todas las instrucciones que acompañan a cualquier hoja especializada tal como hojas para ranurar y cortadores de moldura para la instalación, preparación y funcionamiento adecuados.

REALIZAR UN CORTE SIN TRASPASO

1. Desconecte la sierra.
2. Desenganche la palanca de desbloqueo.
3. Ajuste el ángulo de biselado a 0°.
4. Enganche la palanca de desbloqueo.
5. Retire la guarda para hoja y trinquetes anti contragolpe.
6. Coloque el separador en la posición "descendente". (consulte la sección POSICIÓN DE SEPARADOR en la página 81).
7. Ajuste la hoja a la profundidad correcta para la pieza de trabajo. Consulte las siguientes instrucciones para el uso de ranuras y otras hojas especializadas.
8. Dependiendo de la forma y tamaño de la madera, use el tope guía para corte al hilo o galga de inglete.
9. Conecte la sierra a una fuente de poder y enciéndala.
10. Espere a que la hoja alcance la velocidad completa antes de mover la pieza de trabajo hacia la hoja.
11. Siempre use bloques de empuje, empujadores y/o tablas de cuña al realizar cortes sin traspaso para reducir el riesgo de lesiones graves.
12. Cuando termine el corte, apague la sierra. Espere a que la hoja se detenga por completo antes de retirar la pieza de trabajo.

Si se requiere de un corte de ranura, realice varias pasadas sucesivas en vez de intentar hacerlo en una sola pasada.

FUNCIONAMIENTO (continuación)

REALIZAR UN CORTE DE RANURA

Las hojas para ranurar son hojas apiladas que pueden usarse para realizar cortes sin traspaso incluyendo ranuras de corte completo. Las hojas para ranurar requieren de una placa de garganta especial. Las hojas para ranurar y las placas de garganta se venden por separado.

⚠ ADVERTENCIA:

- Siga con atención las instrucciones que acompañan a la hoja para ranurar para una instalación, preparación y funcionamiento adecuados. Pueden encontrarse guías adicionales en sitios web y publicaciones de ebanistería y carpintería.
- No intente apilar hojas para ranurar con un grosor mayor a $1^{3}/_{16}$ de pulgada (20.64 mm). No use hojas para ranurar con un diámetro mayor a 8 pulgadas (200 mm).
- Los ensamblajes del separador y la guarda para hoja no pueden usarse en la ranuración. Deben quitarse como se describe en la sección de operaciones de la guarda para hoja y separador. Tenga MUCHO cuidado al usar la hoja para ranurar sin el ensamble de guarda para hoja y separador.
- Use empujadores, retenedores, plantillas de guía, accesorios o tableros con canto biselado para ayudar a guiar y controlar la pieza de trabajo cuando no pueda usarse la guarda.
- Asegúrese de volver a instalar el separador, los trinquetes anti contragolpe, la guarda para hoja y la placa de garganta estándar, asimismo revise los

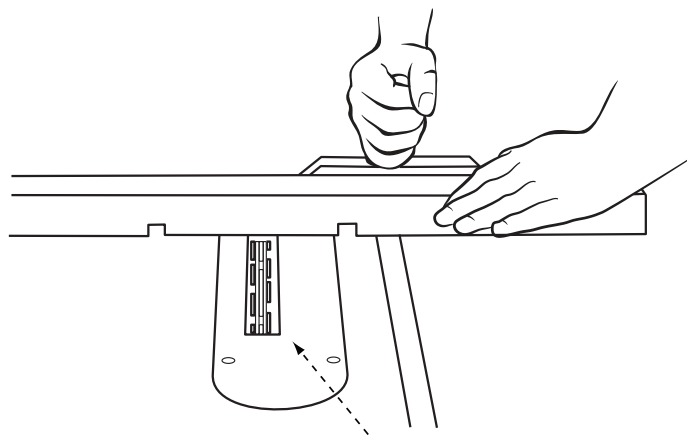


FIGURA 27

ajustes cuando se terminen los cortes de ranuras.

- Debe usar la placa de garganta para ranurar de accesorio, mostrado en la Figura 27, en vez de la placa de garganta estándar. Asegúrese de que la placa de garganta esté al nivel de la mesa antes de continuar.
- Siempre verifique que no haya obstrucciones entre la hoja para ranurar y otros componentes antes de conectar la sierra.
- Nunca intente usar el cabezal para ranurar en una posición de biselado.

NOTA: La brida del eje exterior estándar no puede usarse con ciertas combinaciones de hojas para ranurar. En esos casos, apriete la tuerca del eje directamente contra el juego de hojas para ranurar. Guarde la brida del eje exterior para usarla con otras hojas y combinaciones de ranurado.

AUXILIARES Y ACCESORIOS DE CORTE

EMPUJADOR

Para poder utilizar de manera segura la sierra de mesa, debe usar un empujador cuando el tamaño o forma de la pieza de trabajo ocasionaría que de alguna manera sus manos estén a 6 pulgadas (152 mm) de la hoja de sierra u otro cortador. Un empujador se incluye con esta sierra.

No es necesario ningún tipo especial de madera para fabricar empujadores adicionales siempre que estos sean macizos y suficientemente largos, sin nudos, imperfecciones o grietas. Se recomienda una longitud de 16 pulgadas (400 mm) aproximadamente con una muesca que se ajuste contra el borde de la pieza de trabajo para evitar que se resbale. Es una buena idea tener varios empujadores de la misma longitud mínima, 16 pulgadas (400 mm), con muescas de diferentes tamaños para diferentes grosores de piezas de trabajo.

La forma puede variar para adaptarse a sus propias necesidades siempre que realice la función prevista de mantener sus manos alejadas de la hoja. Inclinar la muesca a un ángulo para que el empujador pueda sostenerse a un ángulo de 20 a 30 grados de la mesa de la sierra le ayudará a sostener la pieza de trabajo al tiempo que pasa por la sierra.

Para hacer un empujador, consulte el diseño que se muestra en la Figura 28.

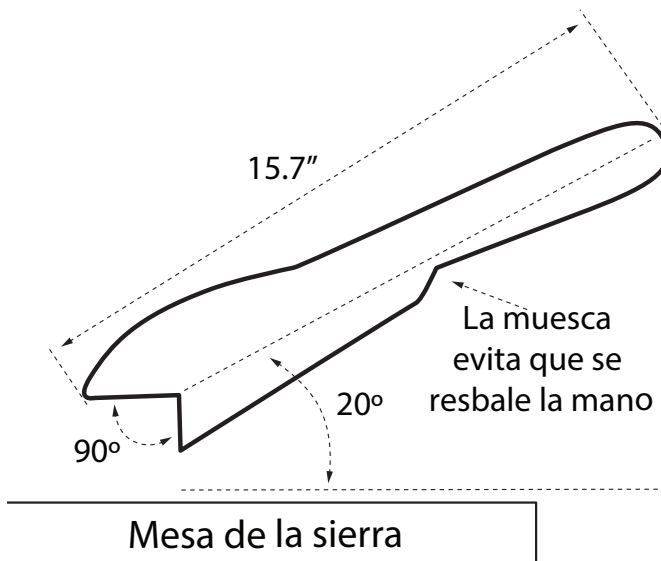


FIGURA 28

REFRENTADO DEL TOPE GUÍA PARA CORTE AL HILO AUXILIAR

Use un refrentado del tope guía para corte al hilo auxiliar cuando sea necesario para cortes especiales, tales como material de corte al hilo que es suficientemente delgado para deslizarse por debajo del tope guía proporcionado con la sierra o cuando se necesita un tope guía más alto para terminar el corte. Para añadir un refrentado de madera auxiliar a uno o ambos lados del tope guía para corte al hilo, seleccione un trozo de madera con superficies lisas, sujete la madera al tope guía con dos abrazaderas. (consulte la Figura 29). Para la mayoría de los trabajos, es ideal un material de 3/4 de pulgada (19 mm) o 1 pulgada (25 mm).

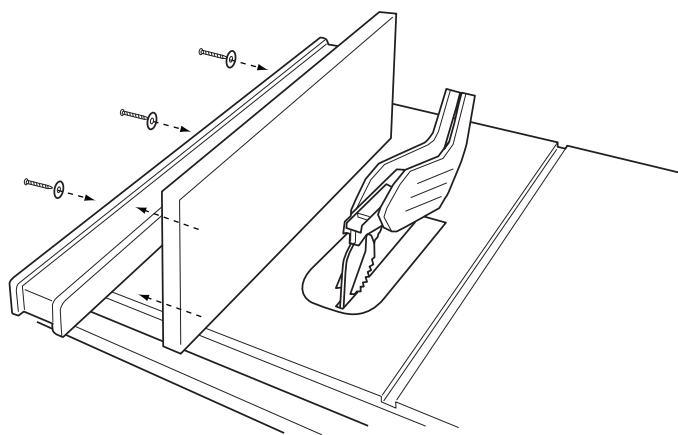


FIGURA 29

REFRENTADO DE LA GALGA DE INGLETE AUXILIAR

Un refrentado de la galga de inglete auxiliar se utiliza para aumentar el área de superficie de la parte frontal de la galga de inglete.

Si lo desea, puede ajustar la galga de inglete con un refrentado de madera auxiliar que debe medir al menos 1 pulgada (25mm) más de altura que la máxima profundidad del corte y al menos del mismo ancho que la galga de inglete.

Este refrentado de madera auxiliar puede sujetarse a la parte frontal de la galga de inglete usando dos tornillos para madera a través de los orificios (A) proporcionados en el cuerpo de la galga de inglete y hacia el refrentado de madera. Vea la Figura 30. Asegúrese de que los tornillos sean suficientemente largos para asegurar el refrentado, pero que no sobresalgan de la madera.

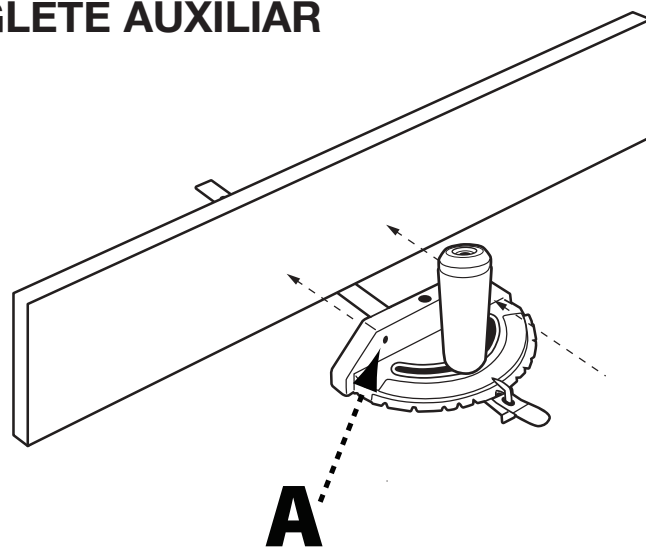


FIGURA 30

BLOQUE DE EMPUJE

1. Seleccione un trozo de madera de aproximadamente 4 pulgadas de ancho, 6 pulgadas de largo y 1 a 2 pulgadas de grosor (un recorte de una tabla de 2 por 4 sirve como una buena base para un bloque de empuje).
2. Barrene un orificio en el bloque y pegue una espiga para usarla como agarradera (puede hacer el orificio en ángulo para que la sujeción de la agarradera sea más cómoda).
3. Pegue un trozo de material áspero o liso tal como una lija o caucho a la parte inferior del bloque para sujetar la pieza de trabajo (las almohadillas para ratón de computadora son adecuadas para esto). Vea la Figura 31.

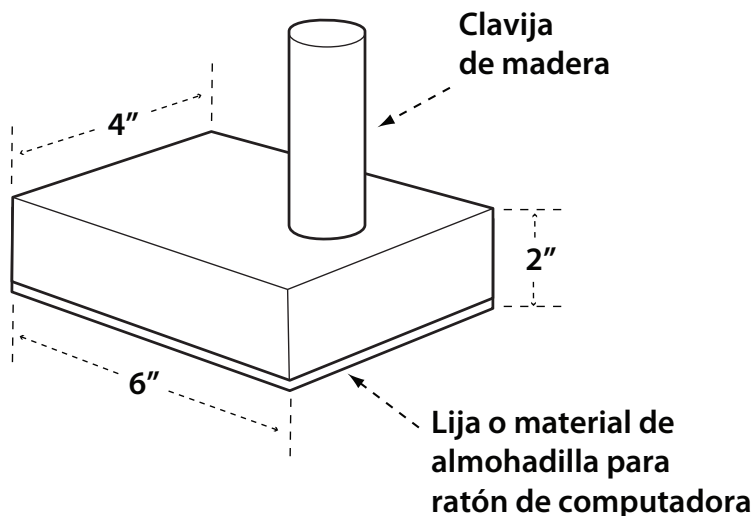


FIGURA 31

TABLAS DE CUÑA

Las tablas de cuña se usan para mantener el trabajo en contacto con la guía y la mesa (Figura 32) y ayudan a prevenir los contragolpes. Las tablas de cuña son especialmente útiles al cortar al hilo piezas de trabajo pequeñas y para completar los cortes sin traspaso. El extremo está angulado con una serie de ranuras angostas que para ofrecer una sujeción de fricción en la pieza de trabajo, se engancha en la mesa o guía con una abrazadera en C.

⚠ ADVERTENCIA: Para evitar atascos entre la pieza de trabajo y la hoja, asegúrese de que la tabla de cuña horizontal presione únicamente la parte sin cortar de la pieza de trabajo en la parte frontal de la hoja.

Las dimensiones para fabricar una tabla de cuña típica se muestran en la Figura 32. Fabrique una tabla de cuña con un trozo de madera recto que no tenga nudos ni grietas. Sujete las tablas de cuña a la guía o a la mesa de modo que la tabla de cuña sujete la pieza de trabajo contra la guía o mesa.

1. Seleccione un trozo sólido de madera de aproximadamente $\frac{3}{4}$ de pulgada de grosor, 2 $\frac{1}{2}$ pulgada de ancho y 12 pulgadas de largo.
2. Marque el ancho central en un extremo del material. Incline el ancho a 70° (consulte la sección de corte de inglete para información sobre los cortes de inglete).
3. Coloque el tope guía para corte al hilo de modo que permita el corte de un "dedo" de aproximadamente 1/4 de pulgada en el material.
4. Empuje el material únicamente a la marca realizada anteriormente a 6 pulgadas.
5. Apague la sierra y espere a que la hoja se detenga por completo antes de retirar el material.
6. Vuelva a colocar el tope guía y realice los cortes espaciados en la pieza de trabajo para formar dedos de aproximadamente 1/4 de pulgada y espacios de 1/8 de pulgada entre ellos.

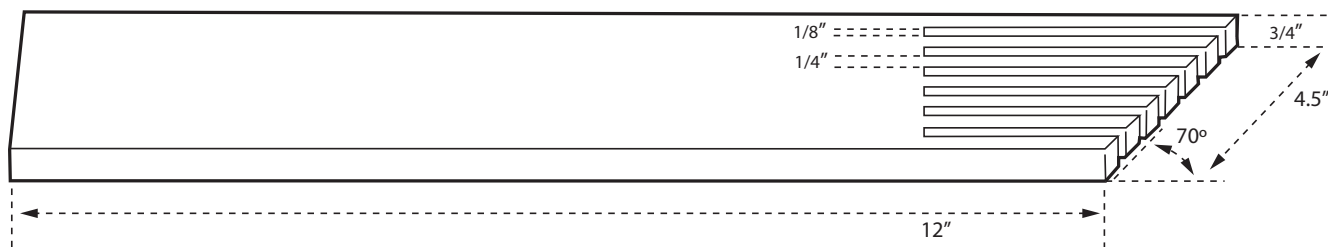


FIGURA 32

CALIBRE DE CORTE

Al realizar cortes transversales en varias piezas a la misma longitud, puede sujetar un bloque de madera (A) (consulte la Figura 33) a la guía y usarlo como un calibre de corte. El bloque (A) debe medir al menos 3/4 de pulgada (19 mm) de grosor para evitar que la pieza que está cortando se atasque entre la hoja y la guía. Después de determinar la longitud del corte, enganche la guía y use la galga de inglete para empujar la pieza de trabajo hacia la hoja.

⚠ ADVERTENCIA: Siempre posicione el calibre de corte en la parte frontal de la hoja de sierra.

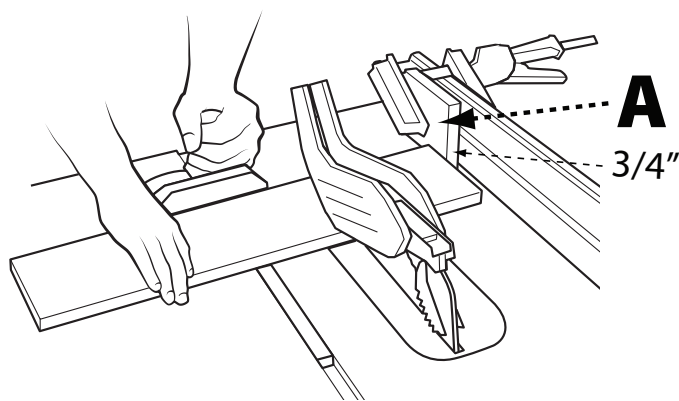


FIGURA 33

PLANTILLAS

Pueden crearse plantillas con una variedad de ajustes especiales para controlar formas particulares de piezas de trabajo para cortes especiales. Las instrucciones sobre cómo hacer plantillas especializadas pueden encontrarse en sitios web y publicaciones de ebanistería y carpintería.

⚠ ADVERTENCIA: No intente crear ni usar una plantilla a menos que esté completamente familiarizado con la seguridad de la sierra de mesa. No use ninguna plantilla que podría presionar un corte o atascar la pieza de trabajo entre la plantilla y la hoja. Los ajustes incorrectos pueden provocar contragolpes que podrían resultar en lesiones graves.

ALINEACIÓN DEL SEPARADOR CON LA HOJA

La alineación entre el separador y la hoja se fija en la fábrica y, en la mayoría de los casos, no será necesario ajustarla. Sin embargo, la alineación siempre debe verificarse después de instalar la hoja y separador, y de ser necesario puede ajustarse. Si el separador está desalineado con la hoja, es necesario realizar un ajuste. El separador debe estar alineado desde la parte frontal a posterior (horizontalmente) y de la parte superior a inferior (verticalmente).

Para ajustar la alineación del separador, consulte la Figura 34 y continúe de la siguiente manera:

1. Retire los ensamblajes de la placa de garganta, la guarda para hoja y anti contragolpe.
2. Eleve la hoja a la profundidad completa de corte y ajuste el ángulo de inclinación en 0°.
3. Eleve el separador a la posición más alta o de corte completo.
4. Afloje ligeramente los dos tornillos de cabeza de sombrerete (C).
5. Coloque la regla contra la parte frontal de la hoja y el separador como se indica para la revisión de la alineación horizontal (consulte la Figura 17a en la página 81).
6. Ajuste los tornillos de fijación (A) para mover el separador en línea con la hoja según su posición cuando verificó la alineación anteriormente.
7. Coloque la regla en el lado opuesto de la hoja. Ambos lados del separador deben estar dentro del grosor del cuerpo de la hoja.
8. Si no es posible alinear ambos lados del separador dentro del grosor del cuerpo de la hoja, debe usar una hoja de tamaño diferente. Consulte la sección sobre selección de hojas en la página 80.
9. Apriete los dos tornillos de cabeza de sombrerete.
10. Coloque una escuadra sobre la mesa y contra la parte frontal de la hoja y separador como se indica para la revisión de la alineación vertical (consulte la Figura 17b en la página 81). Luego verifique que

el separador esté perpendicular a la mesa y en línea con la parte frontal de la hoja.

11. De ser necesario, use los tornillos de fijación (D) para alinear el separador con la parte frontal de la hoja y la escuadra.
12. Apriete por completo los dos tornillos de cabeza de sombrerete.
13. Vuelva a colocar los ensamblajes de placa de garganta, guarda para hoja y anti contragolpe antes de usar la sierra.

⚠ ADVERTENCIA: Si detecta un arrastre o atasco de la pieza de trabajo a medida que alcanza el separador, apague la unidad y desconecte la máquina de la fuente de poder, vuelva a ajustar la alineación del separador u hoja o reemplace la hoja. Nunca intente retroceder una pieza de trabajo parcialmente cortada de la hoja mientras la hoja está en movimiento.

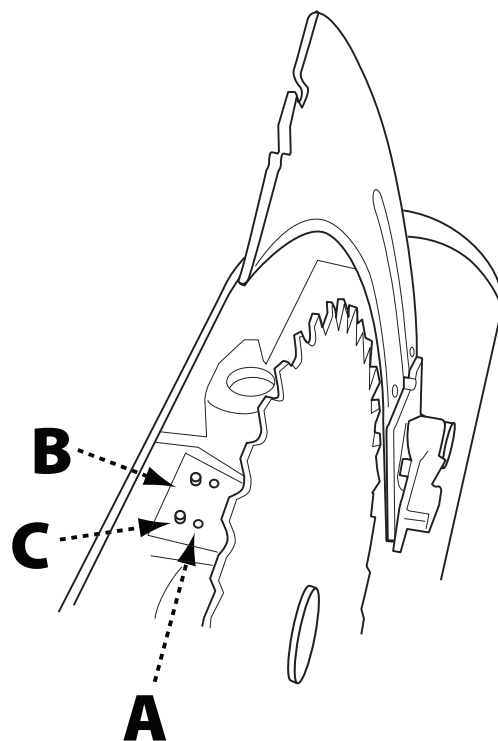


FIGURA 34

AJUSTE DE LOS TOPES DE INGLETE

Para ajustar los topos divisores para ángulos distintos a 90°, 75°, 60°, 45° y 30°:

1. Afloje la manija de la galga de inglete.
2. Afloje los 2 tornillos del segmento del tope del inglete hasta el nuevo ángulo deseado. (A) se muestra en la Figura 35.
3. Mueva el tope a la posición correcta.
4. Vuelva a apretar los dos tornillos del segmento y manija.

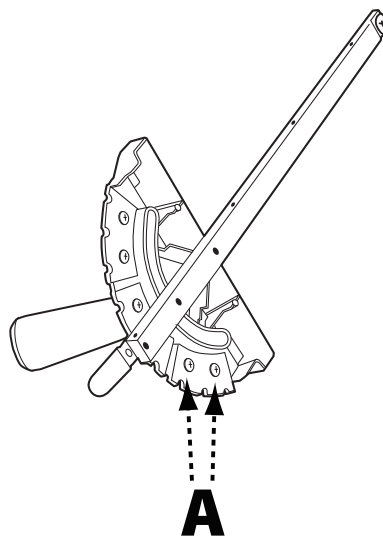


FIGURA 35

ALINEACIÓN PARALELA DE LA GUÍA CON LA RANURA DEL INGLETE

1. Mueva la guía adyacente a la galga de inglete derecha y asegúrela al tubo de guía bajando la palanca de sujeción de la guía.
2. Si la parte frontal de la guía (A), Figura 36, no está paralela a la ranura del inglete (B), eleve la palanca de sujeción y levante la guía, luego colóquela sobre la mesa de la sierra.
3. Ajuste uno o ambos tornillos de fijación (C) 1/4 de vuelta o menos.
4. Vuelva a colocar la guía sobre el tubo de guía y repita los pasos 1 a 3. Si la guía está casi paralela, gire el tornillo de fijación en la misma dirección pero un poco menos. Si la guía aún no está paralela, gire el tornillo de fijación en la dirección opuesta.
5. Repita los pasos 1 a 3.

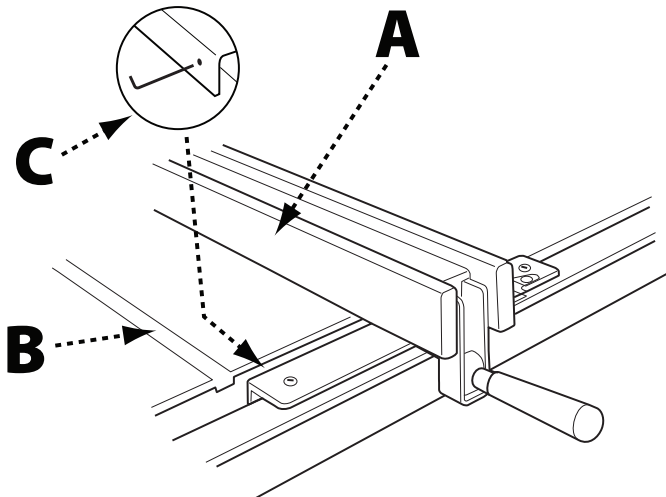


FIGURA 36

ALINEACIÓN PERPENDICULAR DE LA GUÍA CON LA MESA

1. Mueva la guía sobre la mesa de hierro fundido y asegúrela al tubo de guía bajando la palanca de sujeción de la guía.
2. Use una escuadra para comprobar que la parte frontal de la guía esté perpendicular a la mesa.
3. Si la parte frontal de la guía no está perpendicular a la mesa, suelte la palanca de sujeción y ajuste ligeramente uno de los tornillos de fijación ranurados (A), Figura 37, hasta que la parte frontal de la guía esté perpendicular con la mesa.
4. Sujete la guía al tubo de guía para asegurar que la guía continúe estando perpendicular. Si no es así, repita los pasos 1 a 4.

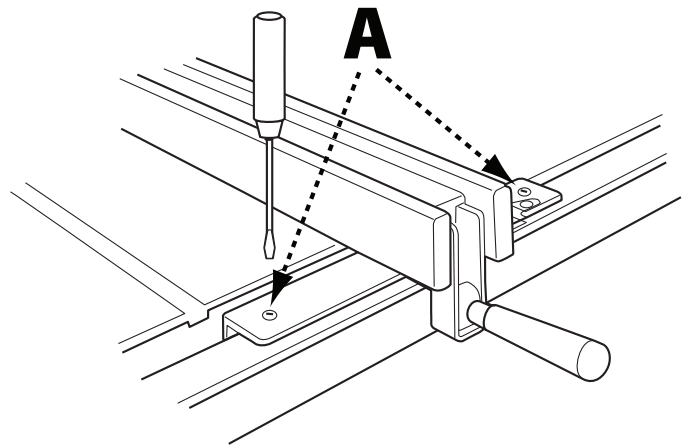


FIGURA 37

OPERACIÓN MONOFÁSICA A 240 VOLTIOS

El motor de voltaje dual de 120/240 voltios proporcionado con su máquina fue enviado con preparación para operar a 120 voltios. Puede convertirse para operar a 240 voltios. Para la conversión de 120 a 240 voltios, por favor llame con anticipación a Servicio al Cliente de DELTA al 1-800-223-7278.

Use las siguientes instrucciones para convertir la sierra a 240 voltios.

⚠ ADVERTENCIA: Para reducir el riesgo de lesiones apague la máquina y desconéctela de la fuente de poder antes de instalar o desinstalar accesorios, antes de ajustar o cambiar montajes o al realizar reparaciones. Un arranque accidental puede provocar una lesión.

1. Retire los 4 tornillos (A) Fig. 38 y retire el panel trasero (B).
2. Retire los 2 tornillos (C) y retire la cubierta de plástico (D).
3. Deslice el interruptor (E) de la posición 120 V a 240 V.
4. Vuelva a colocar la cubierta (D) y los 2 tornillos (C).
5. Vuelva a colocar la cubierta trasera B y los 4 tornillos (A).
6. El enchufe del cable de corriente para 120 voltios también debe reemplazarse con un enchufe aprobado por UL/CSA adecuado para 240 voltios a 15 AMPS.

Pida a un electricista calificado que realice la conversión o lleve la máquina a un centro de servicio autorizado. La máquina debe cumplir con el Código Nacional Eléctrico así como con todos los códigos y ordenanzas locales.

Use el enchufe de 240 voltios ÚNICAMENTE en un tomacorriente que tenga la misma configuración que el enchufe ilustrado en la página 71, Fig. C. **NO** utilice un adaptador con el enchufe de 240 voltios.

⚠ ADVERTENCIA: En todos los casos, asegúrese de que el tomacorriente en cuestión esté debidamente conectado a tierra. Si no está seguro, pida a un electricista calificado que verifique el tomacorriente.

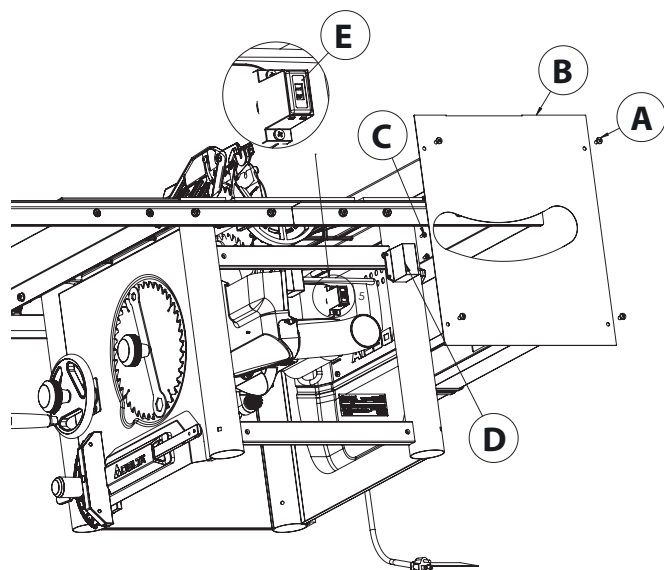


FIGURE 38

MANTENIMIENTO

Para reducir el riesgo de lesiones, apague la unidad y desconéctela de la fuente de poder antes de limpiar, dar servicio, instalar y quitar accesorios, antes de ajustar y al realizar reparaciones. Un arranque accidental puede provocar una lesión.

MANTENGA LIMPIA LA MÁQUINA

Sopletee periódicamente todos los conductos de aire con aire comprimido seco. Todas las partes de plástico deben limpiarse con un paño húmedo y suave. NUNCA use solventes para limpiar las partes de plástico. Pueden disolver o dañar de alguna manera el material.

Use equipo de seguridad certificado para protección ocular, auditiva y respiratoria al usar aire comprimido.

LUBRICACIÓN Y PROTECCIÓN CONTRA OXIDACIÓN

Ocasionalmente aplique cera en pasta para pisos de madera a la mesa de la máquina o use un producto protector disponible comercialmente diseñado para este propósito. Siga las instrucciones del fabricante para su uso y seguridad.

Para limpiar la oxidación de las mesas de hierro fundido, necesitará los siguientes materiales:

una almohadilla para tallar de tamaño mediano, una lata de lubricante en rociador y una lata de desengrasante. Aplique el lubricante en rociador y pula la superficie de la mesa con la almohadilla para tallar. Desengrase la mesa, luego aplique el producto protector como se describió anteriormente.

RECORDATORIOS DE MANTENIMIENTO

Use equipo de seguridad certificado para protección ocular, auditiva y respiratoria al usar aire comprimido.

Áreas específicas que requieren de un mantenimiento frecuente incluyen:

PLACA DE SUJECIÓN DEL SEPARADOR: Mantenga esta área libre de polvo y acumulación de basura. Limpie el área frecuentemente con aire comprimido.

NOTA: Si la abrazadera del separador no se mueve libremente, pida que la sierra sea reparada por el personal de un centro de servicio de DELTA® Power Equipment.

ENGRANAJES SINFIN: Mantenga los engranajes sinfín libres de polvo y acumulación de basura. Limpie el área frecuentemente con aire comprimido. Use una grasa multipropósito a base de litio según sea necesario en estos engranajes.

LIMPIE PERIÓDICAMENTE LA ACUMULACIÓN DE ASERRÍN EN EL GABINETE: NOTA: La basura también puede limpiarse de la sierra desde abajo de la placa de garganta, dentro del puerto de polvo.

RESOLUCIÓN DE PROBLEMAS

Para solicitar ayuda con su máquina, visite nuestro sitio web en www.DeltaMachinery.com para obtener una lista de los centros de servicio o llame a atención al cliente de DELTA® Power Equipment al 1-800-223-7278.

LA SIERRA NO ARRANCA

Si su máquina no arranca, verifique que las puntas del enchufe tengan un buen contacto con el tomacorriente y verifique el botón de restablecimiento en el alojamiento del interruptor de alimentación. Asimismo, verifique que no haya fusibles fundidos o un disyuntor abierto en su línea de alimentación.

ACCESORIOS

Una línea completa de accesorios está disponible con su proveedor DELTA®, centros de servicio de fábrica DELTA® y centros de servicio de fábrica DELTA® y centros de servicio autorizado DELTA®. Visite nuestro sitio web www.DeltaMachinery.com para obtener un catálogo en línea o el nombre de su proveedor más cercano.

⚠ ADVERTENCIA: Puesto que los accesorios distintos a los ofrecidos por DELTA® aún no han sido probados con este producto, el uso de dichos accesorios podría ser peligroso. Para una operación más segura, solo deben usarse accesorios recomendados por DELTA® con este producto.

GARANTÍA

Para registrar su herramienta a fin de recibir el servicio de garantía, visite nuestro sitio web en www.DeltaMachinery.com.

GARANTÍA LIMITADA DE CINCO AÑOS

Delta® Power Equipment Corporation

1. **¿QUÉ CUBRE?** Delta Power Equipment Corporation (“Compañía”) reparará o reemplazará, a su elección, cualquier máquina o pieza de servicio DELTA® nueva o reacondicionada de fábrica que se compre al menudeo en Estados Unidos o Canadá y que presente defectos comprobados en uso normal en cuanto a mano de obra o material, sujeto a las condiciones establecidas en esta garantía limitada. Esta garantía limitada cubre únicamente materiales y mano de obra. Todos los costos de transporte serán responsabilidad del cliente.

2. **PERIODO DE GARANTÍA.** Todos los reclamos de garantía deben enviarse en un plazo de cinco años a partir de la fecha de compra al menudeo. El período de garantía para todas las piezas de servicio y máquinas reacondicionadas de fábrica DELTA® es de 180 días.

3. **CÓMO OBTENER SERVICIO.** Para obtener el servicio de garantía, debe regresar el producto defectuoso, por su propia cuenta, a un centro de servicio autorizado por la compañía para realizar el servicio de garantía (un “Centro de Servicio Autorizado DELTA®”) dentro del plazo del período de garantía aplicable, junto con un comprobante de compra aceptable, tal como el recibo original que indica la fecha de la compra o el número de registro del producto. La compañía se reserva el derecho a restringir el servicio de reclamación de garantía al país donde se realizó la compra y/o cobrar por el costo de exportar piezas de servicio o proporcionar servicio de garantía en un país diferente. Las compras en línea se consideran como realizadas en Estados Unidos. Para encontrar la ubicación de su Centro de Servicio Autorizado DELTA® más cercano, llame al Centro de Atención al Cliente de la compañía al (800) 223-7278.

4. EXCLUSIONES.

- La compañía no ofrece ninguna garantía a los productos comprados en condiciones usadas o dañadas.
- La compañía no garantiza ningún producto comprado fuera de los Estados Unidos o Canadá.
- La compañía no será responsable de ningún daño que haya resultado por el desgaste normal, maltrato, abuso o cualquier reparación o alteración realizada por cualquier persona excepto un Centro de Servicio Autorizado DELTA® o un representante designado del Centro de Atención al Cliente de la compañía.
- Todas las GARANTÍAS IMPLÍCITAS están expresamente limitadas al período de garantía identificado anteriormente.
- Bajo ninguna circunstancia se considerará a la compañía como responsable por daños INCIDENTALES O INDIRECTOS.
- Esta garantía limitada es la única garantía de la compañía y establece el recurso exclusivo del cliente con respecto a productos defectuosos; todas las demás garantías, expresas o implícitas, ya sea de comerciabilidad, idoneidad para un propósito o de otro tipo, están expresamente excluidas por la compañía, excepto según lo establecido anteriormente.

Algunos estados no permiten la exclusión o limitación de responsabilidad por daños incidentales o indirectos, ni la limitación de garantías implícitas; por lo tanto, la anterior limitación o exclusión podría no aplicarse en su caso. Esta garantía le otorga derechos legales específicos y es posible que usted tenga otros derechos que varían en ciertos estados o provincias. Para obtener más detalles sobre la cobertura de la garantía e información de la garantía de reparación, llame al (800) 223-7278. Para registrar sus productos en línea, lo animamos a visitar nuestra página web y registrarse para tener una cuenta de miembro DELTA GRATUITA en <http://www.deltamachinery.com/register>.

AMÉRICA LATINA: Esta garantía no aplica a los productos vendidos en América Latina. Para los productos vendidos en América Latina, consulte la información de garantía específica del país que se incluye en el empaque, llame a la empresa local o consulte el sitio web para obtener información de la garantía.



ASISTENCIA SOBRE GARANTÍA, SERVICIO O PIEZAS

Todas las máquinas y accesorios DELTA® están fabricados en cumplimiento de altos estándares de calidad y reciben el servicio técnico de una red de centros de servicio autorizado DELTA®. Para obtener información adicional acerca de su producto de calidad DELTA® o para obtener asistencia sobre la garantía, el servicio o piezas, o para localizar el centro de servicio más cercano llame al 1-800-223-7278.

REFACCIONES

Use únicamente piezas de repuesto idénticas. Para una lista de piezas o para hacer un pedido de piezas, visite nuestro sitio web en www.DeltaMachineryParts.com. Además puede hacer un pedido de las piezas en el centro autorizado de servicio de garantía o puede llamar al gerente de servicio técnico al 1-800-223-7278 para recibir asistencia personalizada de uno de nuestros expertos representantes.

REEMPLAZO GRATUITO DE ETIQUETAS DE ADVERTENCIA

Si le faltan etiquetas de advertencia o se han vuelto ilegibles, llame al 1-800-223-7278 para un reemplazo gratuito.



POWER EQUIPMENT CORPORATION

99 Roush St
Anderson, SC 29625
1-800-223-7278
www.DeltaMachinery.com

Copyright © 2013 DELTA® Power Equipment Corporation DPEC002778 - 9/25/2013

Revised: 09/04/2015

